

Approval body for construction products
and types of construction

Bautechnisches Prüfamt

An institution established by the Federal and
Laender Governments



European Technical Assessment

ETA-20/0729
of 26 November 2020

English translation prepared by DIBt - Original version in German language

General Part

Technical Assessment Body issuing the
European Technical Assessment:

Deutsches Institut für Bautechnik

Trade name of the construction product

fischer injection system FIS V Plus for masonry

Product family
to which the construction product belongs

Metal Injection anchors for use in masonry

Manufacturer

fischerwerke GmbH & Co. KG
Otto-Hahn-Straße 15
79211 Denzlingen
DEUTSCHLAND

Manufacturing plant

fischerwerke

This European Technical Assessment
contains

139 pages including 3 annexes which form an integral
part of this assessment

This European Technical Assessment is
issued in accordance with Regulation (EU)
No 305/2011, on the basis of

EAD 330076-00-0604, Edition 11/2017

The European Technical Assessment is issued by the Technical Assessment Body in its official language. Translations of this European Technical Assessment in other languages shall fully correspond to the original issued document and shall be identified as such.

Communication of this European Technical Assessment, including transmission by electronic means, shall be in full. However, partial reproduction may only be made with the written consent of the issuing Technical Assessment Body. Any partial reproduction shall be identified as such.

This European Technical Assessment may be withdrawn by the issuing Technical Assessment Body, in particular pursuant to information by the Commission in accordance with Article 25(3) of Regulation (EU) No 305/2011.

Specific Part

1 Technical description of the product

The fischer injection system FIS V Plus for masonry is a bonded anchor (injection type) consisting of a mortar cartridge with injection mortar fischer FIS V Plus, FIS VS Plus Low Speed and FIS VW Plus High Speed, a perforated sieve sleeve and an anchor rod with hexagon nut and washer or an internal threaded rod in the range of M6 to M16. The steel elements are made of zinc coated steel, stainless steel or high corrosion resistant steel.

The anchor rod is placed into a drilled hole filled with injection mortar and is anchored via the bond between steel element, injection mortar and masonry and mechanical interlock.

The product description is given in Annex A.

2 Specification of the intended use in accordance with the applicable European Assessment Document

The performances given in Section 3 are only valid if the anchor is used in compliance with the specifications and conditions given in Annex B.

The verifications and assessment methods on which this European Technical Assessment is based lead to the assumption of a working life of the anchor of at least 50 years. The indications given on the working life cannot be interpreted as a guarantee given by the producer, but are to be regarded only as a means for choosing the right products in relation to the expected economically reasonable working life of the works.

3 Performance of the product and references to the methods used for its assessment

3.1 Mechanical resistance and stability (BWR 1)

Essential characteristic	Performance
Characteristic values for resistance	See Annexes B20, C 1 to C 110
Displacements	See Annex C 110
Durability	See annex B 2

3.2 Safety in case of fire (BWR 2)

Essential characteristic	Performance
Reaction to fire	Class A1

3.3 Hygiene, health and the environment (BWR 3)

Essential characteristic	Performance
Content, emission and/or release of dangerous substances	No performance assessed

4 Assessment and verification of constancy of performance (AVCP) system applied, with reference to its legal base

In accordance with the European Assessment Document EAD 330076-00-0604 the applicable European legal act is: [97/177/EC].

The system to be applied is: 1

5 Technical details necessary for the implementation of the AVCP system, as provided for in the applicable European Assessment Document

Technical details necessary for the implementation of the AVCP system are laid down in the control plan deposited at Deutsches Institut für Bautechnik.

Issued in Berlin on 26 November 2020 by Deutsches Institut für Bautechnik

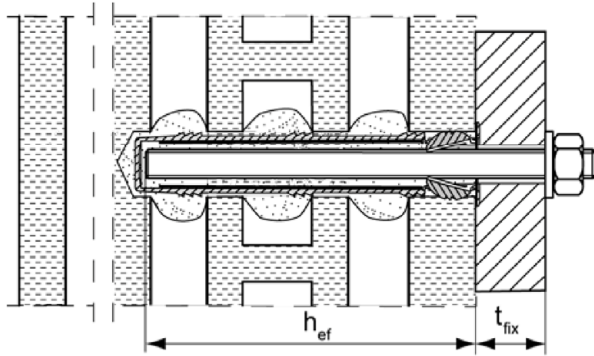
Dipl.-Ing. Beatrix Wittstock
Head of Section

beglaubigt:
Baderschneider

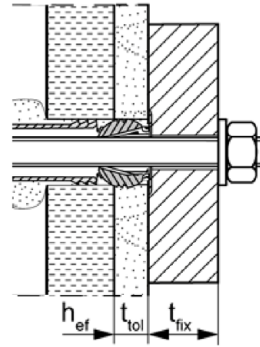
Installation conditions part 1

Anchor rods with perforated sleeve FIS H K; Installation in perforated and solid brick masonry

Pre-positioned anchorage:



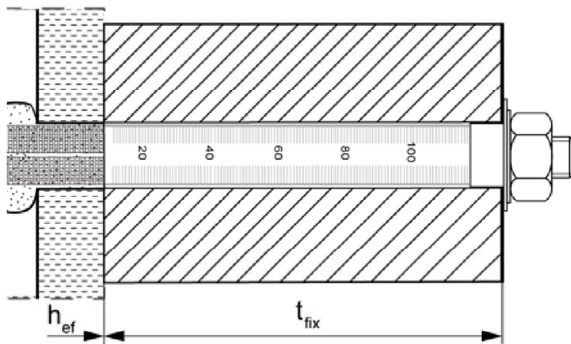
Installation with render bridge



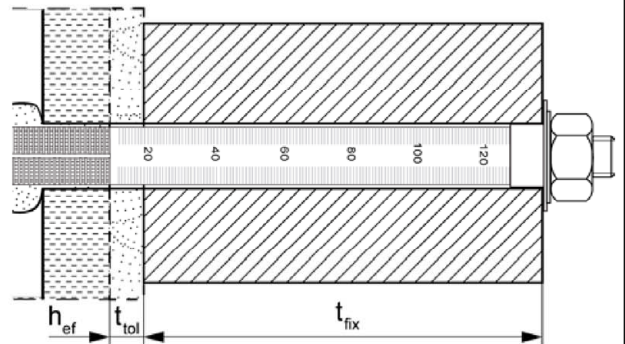
Size of the perforated sleeve:

FIS H 12x50 K	FIS H 16x85 K	FIS H 20x85 K	FIS H 20x200 K
FIS H 12x85 K	FIS H 16x130 K	FIS H 20x130 K	

Push through anchorage:



Installation with render bridge

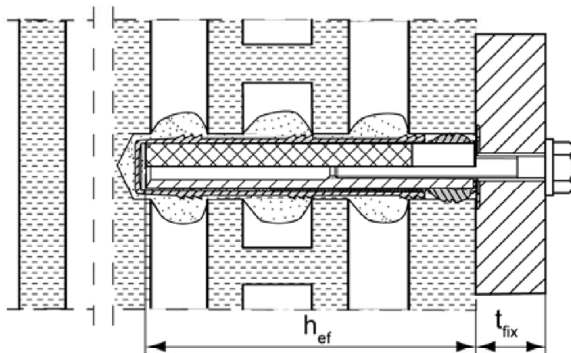


Size of the perforated sleeve:

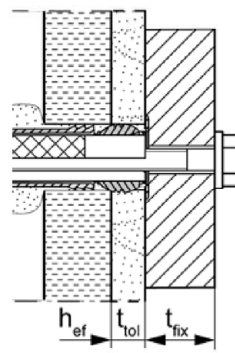
FIS H 18x130/200 K	FIS H 22x130/200 K
--------------------	--------------------

Internal threaded anchor FIS E with perforated sleeve FIS H K; Installation in perforated and solid brick masonry

Pre-positioned anchorage:



Installation with render bridge



Pictures not to scale

h_{ef} = effective anchorage depth

t_{tol} = thickness of unbearing layer (e.g. plaster)

t_{fix} = thickness of fixture

fischer injection system FIS V Plus for masonry

Product description

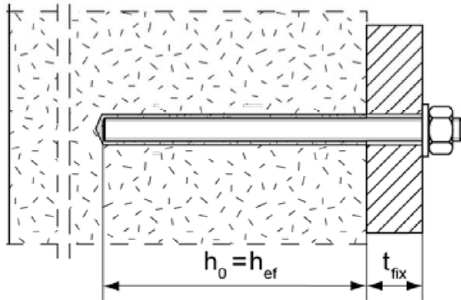
Installation conditions part 1,
Anchor rods and internal threaded anchor with perforated sleeve

Annex A 1

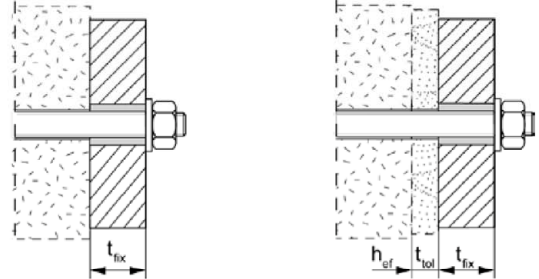
Installation conditions part 2

**Anchor rods without perforated sleeve FIS H K;
installation in solid brick masonry and autoclaved aerated concrete**

Pre-positioned anchorage:



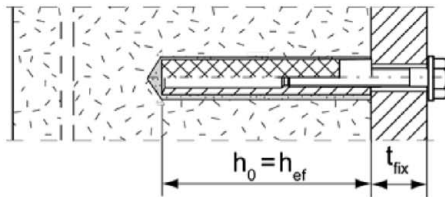
Push through anchorage: Annular gap filled with mortar



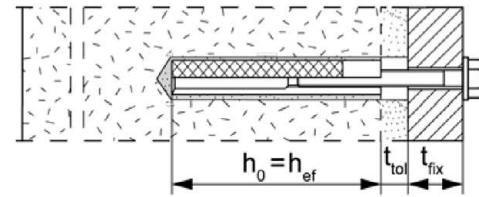
Installation with
render bridge

**Internal threaded anchors FIS E without perforated sleeve FIS H K;
installation in solid brick masonry and autoclaved aerated concrete**

Pre-positioned anchorage:



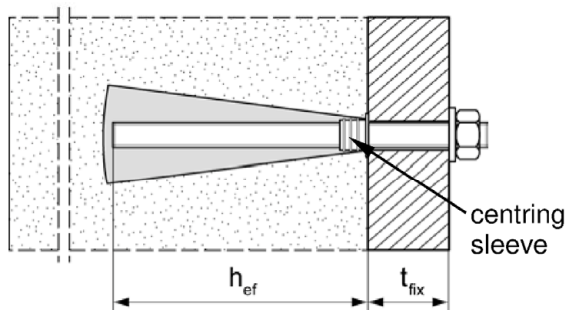
Installation with render bridge



**Anchor rods and internal threaded anchors FIS E without perforated sleeve FIS H K; installation with
centring sleeve in autoclaved aerated concrete with conical drill hole
(installation with special conic drill bit PBB)**

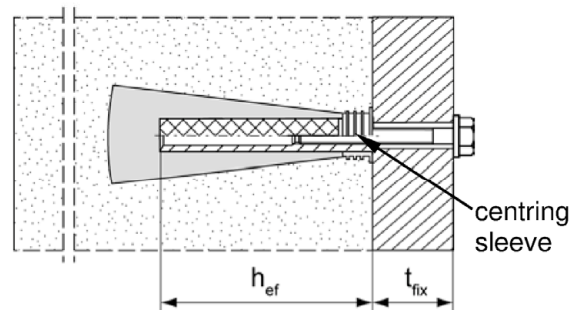
Pre-positioned anchorage:

anchor rods M8, M10, M12



Pre-positioned anchorage:

Internal threaded anchor FIS E 11x85 M6 / M8



Pictures not to scale

h_0 = depth of drill hole

h_{ef} = effective anchorage depth

t_{tol} = thickness of unbearing layer (e.g. plaster)

t_{fix} = thickness of fixture

fischer injection system FIS V Plus for masonry

Product description

Installation conditions part 2, Anchor rods and internal threaded anchor without perforated sleeve / with centring sleeve

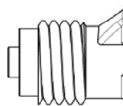
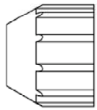
Annex A 2

Overview system components part 1

Mortar cartridge (shuttle cartridge) with sealing cap

①

Size: 350 ml, 360 ml, 390 ml, 550 ml, 825 ml



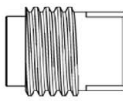
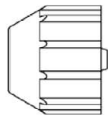
Imprint: fischer FIS V Plus or FIS VS Plus Low Speed or FIS VW Plus High Speed, processing notes, shelf-life, hazard code, piston travel scale (optional), curing time and processing time (depending on temperature), size, volume



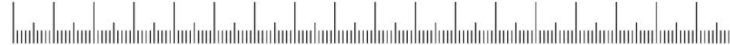
Mortar cartridge (coaxial cartridge) with sealing cap

①

Size: 100 ml, 150 ml, 300 ml, 380 ml, 400 ml, 410 ml



Imprint: fischer FIS V Plus or FIS VS Plus Low Speed or FIS VW Plus High Speed, processing notes, shelf-life, hazard code, piston travel scale (optional), curing time and processing time (depending on temperature), size, volume



Static mixer MR Plus with injection adapter and center sleeve for aerated concrete

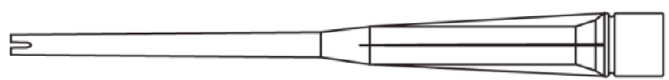
centring sleeve



Injection adapter



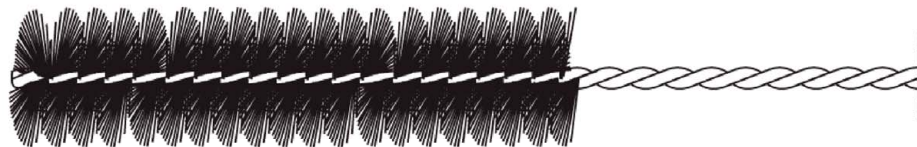
Static mixer



Extension tube



Cleaning brush BS



Blow-out pump ABG or ABP



Pictures not to scale

fischer injection system FIS V Plus for masonry

Product description

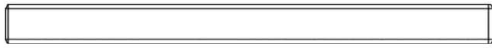
Overview system components part 1: cartridge / static mixer / cleaning tools

Annex A 3

Overview system components part 2

fischer anchor rod

②



Size: M6, M8, M10, M12, M16

Internal threaded anchor FIS E

⑤



Size: 11x85 M6 / M8
15x85 M10 / M12

Perforated sleeve FIS H K

⑦



Size: FIS H 12x50 K
FIS H 12x85 K
FIS H 16x85 K
FIS H 20x85 K

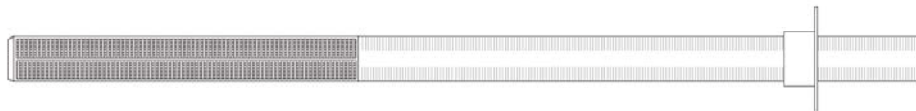
⑦



Size: FIS H 16x130 K
FIS H 20x130 K
FIS H 20x200 K

Perforated sleeve FIS H K (push through anchorage)

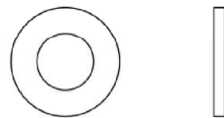
⑦



Size:
FIS H 18x130/200 K
FIS H 22x130/200 K

Washer

③



Hexagon nut

④



Pictures not to scale



fischer injection system FIS V Plus for masonry

Product description

Overview system components part 2: steel parts / perforated sleeve

Annex A 4

Table A5.1: Materials				
Part	Designation	Material		
1	Mortar cartridge	Mortar, hardener; filler		
		Steel	Stainless steel R	High corrosion-resistant steel HCR
		zinc plated	acc. to EN 10088-1:2014 Corrosion resistance class CRC III acc. to EN 1993-1-4:2015	acc. to EN 10088-1:2014 Corrosion resistance class CRC V acc. to EN 1993-1-4:2015
2	Anchor rod	Property class 4.6; 4.8; 5.8 oder 8.8; EN ISO 898-1: 2013 zinc plated $\geq 5\mu\text{m}$, ISO 4042:2018 Zn5/An(A2K) or hot-dip galvanised EN ISO 10684:2004 $f_{uk} \leq 1000 \text{ N/mm}^2$ $A_5 > 8\%$ fracture elongation	Property class 50, 70 or 80 EN ISO 3506-1:2009 1.4401; 1.4404; 1.4578; 1.4571; 1.4439; 1.4362; 1.4062; 1.4662; 1.4462; EN 10088-1:2014 $f_{uk} \leq 1000 \text{ N/mm}^2$ $A_5 > 8\%$ fracture elongation	Property class 50 or 80 EN ISO 3506-1:2009 or property class 70 with $f_{yk} = 560 \text{ N/mm}^2$ 1.4565; 1.4529 EN 10088-1:2014 $f_{uk} \leq 1000 \text{ N/mm}^2$ $A_5 > 8\%$ fracture elongation
3	Washer ISO 7089:2000	zinc plated $\geq 5\mu\text{m}$, ISO 4042:2018 Zn5/An(A2K) or hot-dip galvanised EN ISO 10684:2004	1.4401; 1.4404; 1.4578; 1.4571; 1.4439; 1.4362; EN 10088-1:2014	1.4565; 1.4529 EN 10088-1:2014
4	Hexagon nut	Property class 5 or 8; EN ISO 898-2:2012 zinc plated $\geq 5\mu\text{m}$, ISO 4042:2018 Zn5/An(A2K) or hot-dip galvanised ISO 10684:2004	Property class 50, 70 or 80 EN ISO 3506-1:2009 1.4401; 1.4404; 1.4578; 1.4571; 1.4439; 1.4362; EN 10088-1:2014	Property class 50, 70 or 80 EN ISO 3506-1:2009 1.4565; 1.4529 EN 10088-1:2014
5	Internal threaded anchor FIS E	Property class 5.8; EN 10277-1:2008-06 zinc plated $\geq 5\mu\text{m}$, ISO 4042:2018 Zn5/An(A2K)	Property class 70 EN ISO 3506-1:2009 1.4401; 1.4404; 1.4578; 1.4571; 1.4439; 1.4362; EN 10088-1:2014	Property class 70 EN ISO 3506-1:2009 1.4565; 1.4529 EN 10088-1:2014
6	Commercial standard screw or threaded rod for internal threaded anchor FIS E	Property class 5.8 or 8.8; EN ISO 898-1:2013 zinc plated $\geq 5\mu\text{m}$, ISO 4042:2018 Zn5/An(A2K)	Property class 70 EN ISO 3506-1:2009 1.4401; 1.4404; 1.4578; 1.4571; 1.4439; 1.4362; EN 10088-1:2014	Property class 70 EN ISO 3506-1:2009 1.4565; 1.4529 EN 10088-1:2014
7	Perforated sleeve and centring sleeve	PP / PE		
fischer injection system FIS V Plus for masonry				Annex A 5
Product description Materials				

Specifications of intended use (part 1)			
Table B1.1: Overview use and performance categories			
Anchorages subject to		fischer injection system FIS V Plus for masonry	
Hole drilling with hammer drill mode 		all bricks; without C28 to C48, C75 to C78	
Hole drilling with rotary drill mode 		all bricks	
Static and quasi static load, in masonry		all bricks	
Use category	dry or wet masonry	all bricks	
Installation	Pre-positioned anchorage	Anchor rod or internal threaded anchor (in solid brick masonry and autoclaved aerated concrete)	Perforated sleeve with anchor rod or internal threaded anchor (in perforated and solid brick masonry) Size: FIS H 12x50 K FIS H 12x85 K FIS H 16x85 K FIS H 16x130 K FIS H 20x85 K FIS H 20x130 K FIS H 20x200 K
	Push through anchorage	Anchor rod; use only in cylindrical drill hole (in solid brick masonry and autoclaved aerated concrete)	Perforated sleeve with anchor rod (in perforated and solid brick masonry) Size: FIS H 18x130/200 K FIS H 22x130/200 K
Installation conditions	category d/d	all bricks	
	category w/d		
	category w/w		
Installation direction		D3 (downward and horizontal and upwards (e.g. overhead) installation)	
Installation temperature		$T_{i,min} = 0\text{ °C}$ bis $T_{i,max} = +40\text{ °C}$	
In-service temperature	Temperature range Tb	-40 °C to +80 °C	(max. short term temperature +80 °C max. long term temperature +50 °C)
	Temperature range Tc	-40 °C to +120 °C	(max. short term temperature +120 °C; max. long term temperature +72 °C)
fischer injection system FIS V Plus for masonry		Annex B 1	
Intended Use Specifications (part 1)			

Specifications of intended use (part 2)

Anchorage subject to:

- Static and quasi-static loads

Base materials:

- Solid brick masonry (Use category b) and autoclaved aerated concrete (Use category d), acc. to Annex B 13 / B 14
- Hollow brick masonry (use category c), according to Annex B 13 / B 14
- For minimum thickness of masonry member is $h_{ef}+30\text{mm}$
- Mortar strength class of the masonry M2,5 at minimum according to EN 998-2:2010
- For other bricks in solid masonry, hollow or perforated masonry and autoclaved aerated concrete, the characteristic resistance of the anchor may be determined by job site tests according to EOTA Technical Report TR 053, Annex B under consideration of the β -factor according to Annex C 110, Table C110.1

Note (only applies to solid bricks and autoclaved aerated concrete):

The characteristic resistance is also valid for larger brick sizes, higher compressive strength and higher raw density of the masonry unit.

Temperature Range:

- **Tb:** From - 40°C to +80°C (max. short term temperature +80°C and max. long term temperature +50°C)
- **Tc:** From -40°C to +120°C (max. short term temperature +120°C and max. long term temperature +72°C)

Use conditions (Environmental conditions):

- **X1:** Structures subject to dry internal conditions exist (zinc coated steel, stainless steel or high corrosion resistant steel)
- **X2:** Structures subject to external atmospheric exposure including industrial and marine environment or exposure to permanently damp internal condition, if no particular aggressive conditions exist (stainless steel or high corrosion resistant steel)
- **X3:** Structures subject to external atmospheric exposure and to permanently damp internal condition, if other particular aggressive conditions exist (high corrosion resistant steel)

Note: Particular aggressive conditions are e.g. permanent, alternating immersion in seawater or the splash zone of seawater, chloride atmosphere of indoor swimming pools or atmosphere with extreme chemical pollution (e.g. in desulphurization plants or road tunnels where de-icing materials are used)

fischer injection system FIS V Plus for masonry

Intended Use
Specifications (part2)

Annex B 2

Specifications of intended use (part 2 continued)

Design:

- The anchorages have to be designed in accordance with EOTA Technical Report TR 054, Design method A under the responsibility of an engineer experienced in anchorages and masonry work.

Applies to all bricks, if no other values are specified:

$$N_{Rk} = N_{Rk,b} = N_{Rk,p}$$

$$V_{Rk} = V_{Rk,b} = V_{Rk,c}$$

For the Calculation of pulling out a brick under tension load $N_{Rk,pb}$ or pushing out a brick under shear load $V_{Rk,pb}$ see EOTA Technical Report TR 054.

$N_{Rk,s}$, $V_{Rk,s}$ and $M^0_{Rk,s}$ see annex C1-C3

Factors for job site tests and displacements see Annex C110

- Verifiable calculation notes and drawings have to be prepared taking account the relevant masonry in the region of the anchorage, the loads to be transmitted and their transmission to the supports of the structure. The position of the anchor is indicated on the design drawings.

Installation:

- Category d/d: - Installation and use in dry structures
- Category w/w: - Installation and use in dry and wet structures
- Category w/d: - Installation in wet structures and use in dry structures
- Hole drilling see Annex C (drilling method)
- In case of aborted hole: The hole shall be filled with mortar
- Bridging of unbearing layer (e.g. plaster) at perforated brick masonry see Annex B 6, Table B6.1
- Anchor installation carried out by appropriately qualified personnel and under the supervision of the person responsible for technical matters of the site
- Fastening screws or anchor rods (including nut and washer) must comply with the appropriate material and property class of the fischer internal threaded anchor FIS E.
- minimum curing time see Annex B 8, Table B8.2
- Commercial standard threaded rods, washers and hexagon nuts may also be used if the following requirements are fulfilled:

Material dimensions and mechanical properties of the metal parts according to the specifications are given in Annex A 5, Table 5.1

Conformation of material and mechanical properties of the metal parts by inspection certificate 3.1 according to EN 10204:2004, the documents shall be stored

Marking of the anchor rod with the envisage embedment depth. This may be done by the manufacturer of the rod or by a person on job site

fischer injection system FIS V Plus for masonry

Intended Use
Specifications (part2 continued)

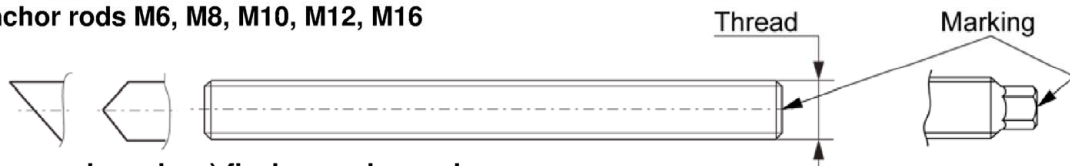
Annex B 3

Table B4.1: Installation parameters for anchor rods in solid bricks and autoclaved aerated concrete without perforated sleeves

Anchor rod	Thread	M6	M8	M10	M12	M16
Nominal drill hole diameter	d_0 [mm]	8	10	12	14	18
Effective anchorage depth $h_{ef}^{1)}$ in AAC cylindrical drill hole	$h_{0,min}=h_{ef,min}$ [mm]	100				
	$h_{0,max}=h_{ef,max}$ [mm]	200				
Effective anchorage depth $h_{ef}^{1)}$ in AAC conical drill hole	h_0 [mm]	$h_{ef} + 5$				
	$h_{ef,1}$ [mm]	-	75			-
	$h_{ef,2}$ [mm]	95				
Effective anchorage depth $h_{ef}^{1)}$ in solid brick (depth of drill hole $h_0 = h_{ef}$)	$h_{ef,min}$ [mm]	50				
	$h_{ef,max}$ [mm]	$h-30, \leq 200$				
Diameter of clearance hole in the fixture	pre-position $d_f \leq$ [mm]	7	9	12	14	18
	push through $d_f \leq$ [mm]	9	11	14	16	20
Diameter of cleaning brush	$d_b \geq$ [mm]	see Table B8.1				
Maximum installation torque	T_{inst} [Nm]	see parameters of brick				

¹⁾ $h_{ef,min} \leq h_{ef} \leq h_{ef,max}$ is possible.

fischer anchor rods M6, M8, M10, M12, M16



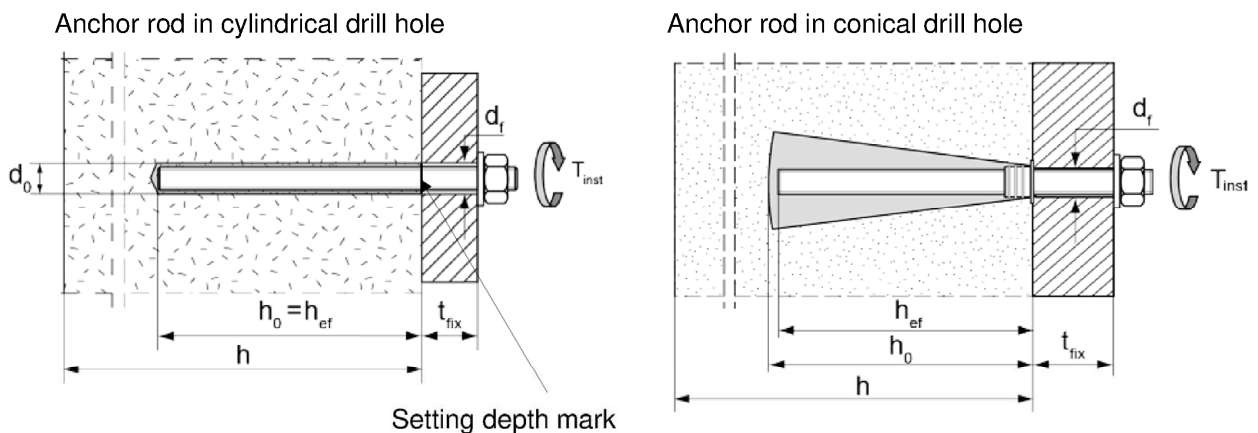
Marking (on random place) fischer anchor rod:

Steel zinc plated PC ¹⁾ 8.8	• or +	Steel hot-dip galvanised PC ¹⁾ 8.8	•
High corrosion resistant steel HCR PC ¹⁾ 50	•	High corrosion resistant steel HCR PC ¹⁾ 70	-
High corrosion resistant steel HCR PC ¹⁾ 80	(Stainless steel R property class 50	~
Stainless steel R property class 80	*		

Alternatively: Colour coding according to DIN 976-1: 2016;
property class 4.6 marking according to EN ISO 898-1:2013

¹⁾ PC = property class

Installation conditions:



Pictures not to scale

fischer injection system FIS V Plus for masonry

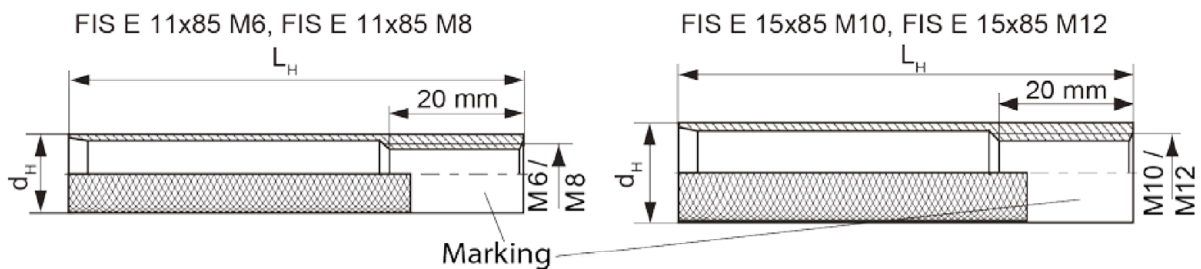
Intended Use
Installation parameters for anchor rods without perforated sleeve

Annex B 4

Table B5.1: Installation parameters for internal threaded anchors FIS E in solid bricks and autoclaved aerated concrete without perforated sleeves

Internal threaded anchor FIS E		11x85 M6	11x85 M8	15x85 M10	15x85 M12
Diameter of anchor	d_H [mm]	11		15	
Nominal drill hole diameter	d_0 [mm]	14		18	
Length of anchor	L_H [mm]	85			
Effective anchorage depth	$h_0 = h_{ef}$ [mm]	85			
Effective anchorage depth h_{ef} in AAC (conical drill hole)	h_0 [mm]	100		-	
	h_{ef} [mm]	85			
Diameter of cleaning brush	$d_b \geq$ [mm]	see Table B8.1			
Maximum installation torque	T_{inst} [Nm]	see parameters of brick			
Diameter of clearance hole in the fixture	d_f [mm]	7	9	12	14
Screw-in depth	$l_{E,min}$ [mm]	6	8	10	12
	$l_{E,max}$ [mm]	60			

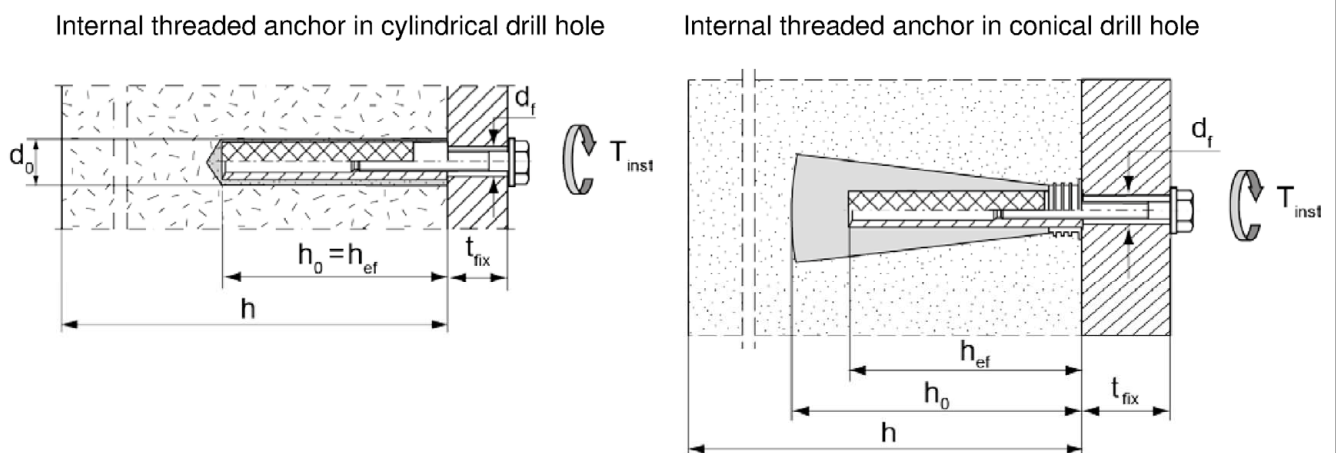
fischer Internal threaded anchor FIS E



Marking:

Size, e.g. **M8**, Stainless steel: R, e.g. **M8 R**, High corrosion-resistant steel: HCR, e.g. **M8 HCR**

Installation conditions:



Pictures not to scale

fischer injection system FIS V Plus for masonry

Intended Use

Installation parameters for internal threaded rods FIS E without perforated sleeve

Annex B 5

Table B6.1: Installation parameters for anchor rods and internal threaded anchors FIS E with perforated sleeves (pre-positioned anchorage)

perforated sleeve FIS H K		12x50	12x85 ²⁾	16x85	16x130 ²⁾	20x85	20x130 ²⁾	20x200 ²⁾
Nominal drill hole diameter $d_0 = D_{\text{sleeve, nom}}$	d_0 [mm]	12		16		20		
Depth of drill hole	h_0 [mm]	55	90	90	135	90	135	205
Effective anchorage depth	$h_{\text{ef, min}}$ [mm]	50	65	85	110	85	110	180
	$h_{\text{ef, max}}$ [mm]	50	85	85	130	85	130	200
Size of threaded rod	[-]	M6 und M8		M8 und M10		M12 und M16		
Size of internal threaded anchor FIS E		-	-	11x85	-	15x85	-	-
Diameter of cleaning brush ¹⁾	$d_b \geq$ [mm]	see Table B8.1						
Maximum installation torque	T_{inst} [Nm]	see parameters of brick						

¹⁾ Only for solid areas in hollow bricks and solid bricks.

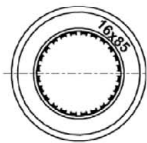
²⁾ Bridging of unbearing layer (e.g. plaster) is possible. When reducing the effective anchorage depth $h_{\text{ef, min}}$, the values of the next shorter perforated sleeve of the same diameter must be used. The smaller value of characteristic resistance must be taken.

Perforated sleeve

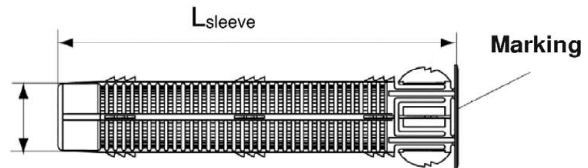
FIS H 12x50 K; FIS H 12x85 K; FIS H 16x85 K; FIS H 16x130 K;
FIS H 20x85 K; FIS H 20x130 K; FIS H 20x200 K

Marking:

Size $D_{\text{sleeve, nom}} \times L_{\text{sleeve}}$
(e.g.: 16x85)



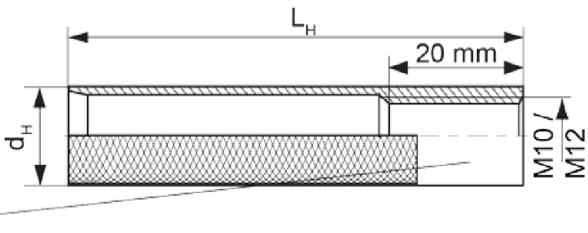
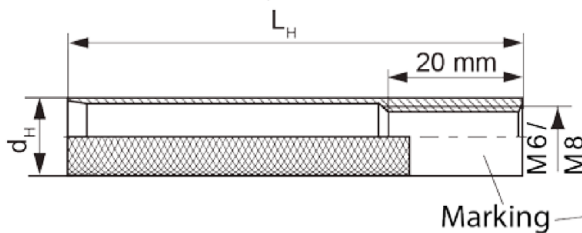
$D_{\text{sleeve, nom}}$



fischer Internal threaded anchor FIS E

FIS E 11x85 M6, FIS E 11x85 M8

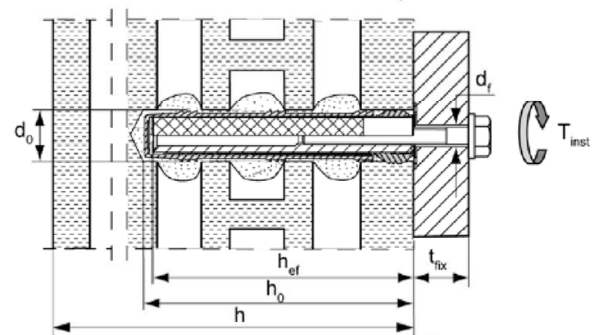
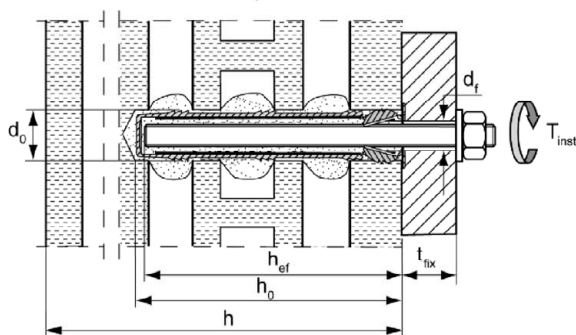
FIS E 15x85 M10, FIS E 15x85 M12



Installation conditions:

Anchor rod with perforated sleeve

Internal threaded anchor with perforated sleeve



Pictures not to scale

fischer injection system FIS V Plus for masonry

Intended Use

Installation parameters for anchor rods and internal threaded anchors FIS E with perforated sleeve (pre-positioned anchorage)

Annex B 6

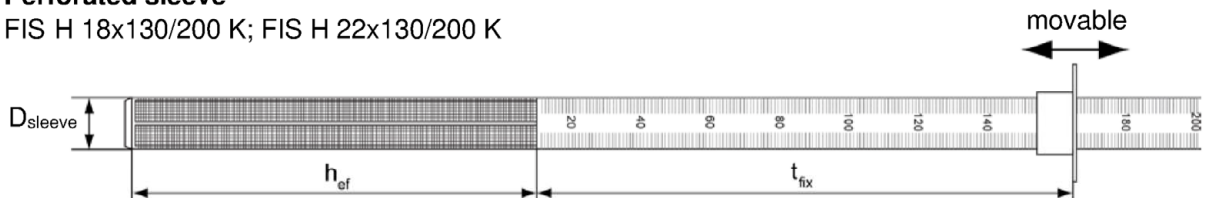
Table B7.1: Installation parameters for anchor rods with perforated sleeves
(push through anchorage)

Perforated sleeve FIS H K		18x130/200		22x130/200	
Nominal sleeve diameter	$D_{\text{sleeve,nom}}$ [mm]	16		20	
Nominal drill hole diameter	d_0 [mm]	18		22	
Depth of drill hole	h_0 [mm]	135			
Effective anchorage depth	h_{ef} [mm]	≥ 130			
Diameter of cleaning brush ¹⁾	$d_b \geq$ [mm]	Siehe Tabelle B8.1			
Size of threaded rod	[-]	M10	M12	M16	
Maximum installation torque	T_{inst} [Nm]	see parameters of brick			
Thickness of fixture	$t_{\text{fix,max}}$ [mm]	200			

¹⁾ Only for solid areas in hollow bricks and solid bricks.

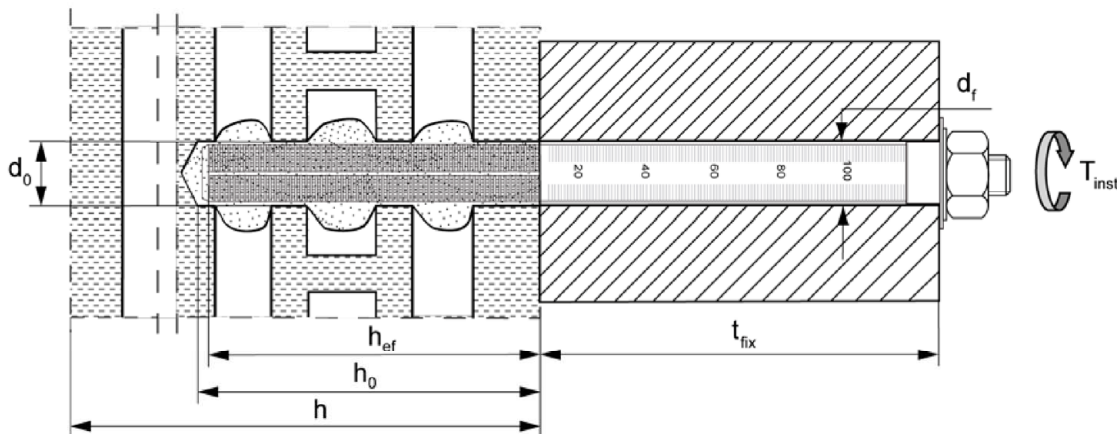
Perforated sleeve

FIS H 18x130/200 K; FIS H 22x130/200 K



Installation conditions:

Anchor rod with perforated sleeve



Pictures not to scale

fischer injection system FIS V Plus for masonry

Intended Use

Installation parameters for anchor rods with perforated sleeves
(push through anchorage)

Annex B 7

Tabelle B8.1: Parameters of the cleaning brush BS (steel brush with steel bristles)

The size of the cleaning brush refers to the drill hole diameter

Drill hole diameter	d_0 [mm]	8	10	12	14	16	18	20	22
Brush diameter	d_b [mm]	9	11	14	16	20	20	25	25



Only for solid bricks and autoclaved aerated concrete

Table B8.2: Maximum processing times and minimum curing times
(During the curing time of the mortar the masonry temperature may not fall below the listed minimum temperature)

Temperature at anchoring base [°C]	Maximum processing time t_{work}			Minimum curing time t_{cure} ¹⁾		
	FIS VW Plus High Speed ³⁾	FIS V Plus ²⁾	FIS VS Plus Low Speed ²⁾	FIS VW Plus High Speed ³⁾	FIS V Plus ²⁾	FIS VS Plus Low Speed ²⁾
> 0 to 5	5 min	13 min	20 min	3 h	3 h	6 h
> 5 to 10	3 min	9 min	20 min	50 min	90 min	3 h
> 10 to 20	1 min	5 min	10 min	30 min	60 min	2 h
> 20 to 30	-	4 min	6 min	-	45 min	60 min
> 30 to 40	-	2 min	4 min	-	35 min	30 min

¹⁾ For wet bricks the curing time must be doubled

²⁾ Minimum cartridge temperature +5°C

³⁾ Minimum cartridge temperature ±0°C

Pictures not to scale

fischer injection system FIS V Plus for masonry

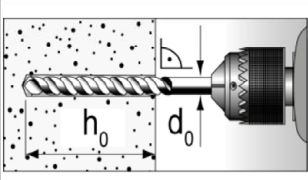
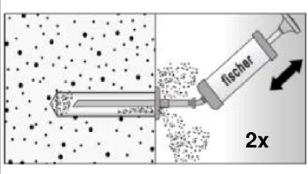
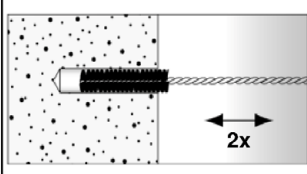
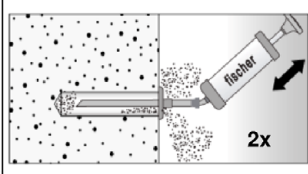
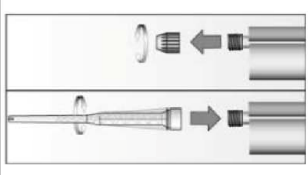
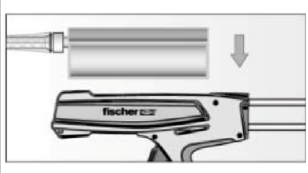
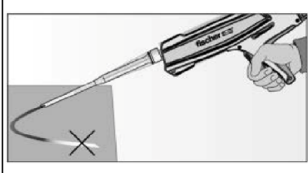
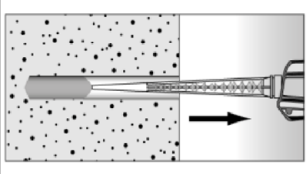
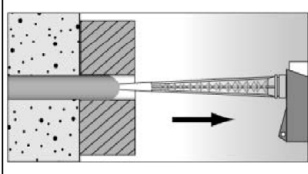
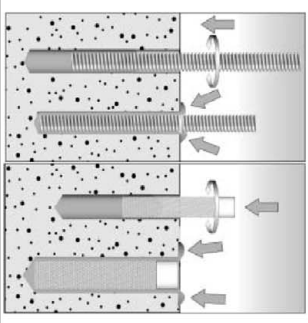

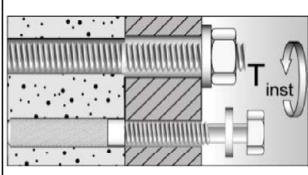
Intended use

Cleaning brush (steel brush)
Maximum processing times and minimum curing times

Annex B 8

Installation instruction part 1

Installation in solid brick and autoclaved aerated concrete (without perforated sleeve)

1		<p>Drill the hole (drilling method see Annex C of the respective brick) depth of drill hole h_0 and drill hole diameter d_0 see Table B4.1; B5.1</p>		
2				<p>Blow out the drill hole twice. Brush twice and blow out twice again.</p>
3		<p>Remove the sealing cap. Screw on the static mixer. (the spiral in the static mixer must be clearly visible)</p>		
4		<p>Place the cartridge into a suitable dispenser</p>		<p>Press out approximately 10 cm of mortar until the resin is permanently grey in colour. Mortar which is not grey in colour will not cure and must be disposed of.</p>
5		<p>Fill approximately 2/3 of the drill hole with mortar beginning from the bottom of the hole¹⁾. Avoid bubbles!</p>		<p>For push through anchorage fill the annular clearance with mortar.</p>
6		<p>Only use clean and oil-free metal parts. Mark the anchor rod for setting depth. Insert the anchor rod or internal threaded anchor FIS E by hand using light turning motions. When reaching the setting depth marking, excess mortar must emerge from the mouth of the drill hole.</p>		
7		<p>Do not touch. Minimum curing time see Table B8.2</p>		<p>Mounting the fixture. T_{inst} see parameter of brick.</p>

¹⁾ Exact volume of mortar see manufacturer's specification.

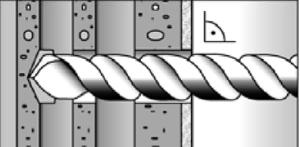
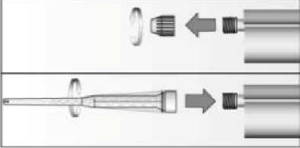


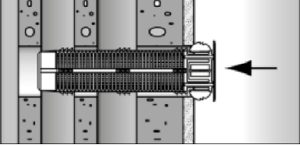
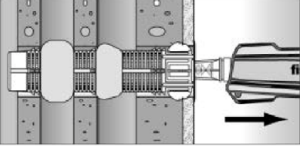
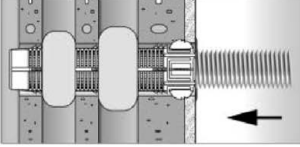

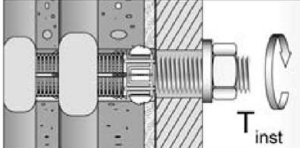
fischer injection system FIS V Plus for masonry

Intended use
Installation instruction (without perforated sleeve) part 1

Annex B 9

Installation instruction part 2

Installation in perforated or solid brick with perforated sleeve (pre-positioned anchorage)

1		Drill the hole (drilling method see Annex C of the respective brick). depth of drill hole h_0 and drill hole diameter d_0 see Table B6.1	When install perforated sleeves in solid bricks or solid areas of hollow bricks, also clean the hole by blowing out and brushing.	
2		Remove the sealing cap. Screw on the static mixer. (the spiral in the static mixer must be clearly visible)		
3		Place the cartridge into a suitable dispenser.		Press out approximately 10 cm of mortar until the resin is permanently grey in colour. Mortar which is not grey in colour will not cure and must be disposed of.
4		Insert the perforated sleeve flush with the surface of the masonry or plaster.		Fill the perforated sleeve completely with mortar beginning from the bottom of the hole ¹⁾ .
5		Only use clean and oil-free metal parts. Mark the anchor rod for setting depth. Insert the anchor rod or the internal threaded anchor FIS E by hand using light turning motions until reaching the setting depth marking (anchor rod) or flush with the surface (internal threaded anchor).		
6		Do not touch. Minimum curing time see Table B8.2		Mounting the fixture. T_{inst} see parameter of brick.

¹⁾ Exact volume of mortar see manufacturer's specification.

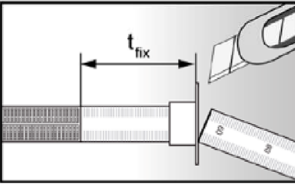
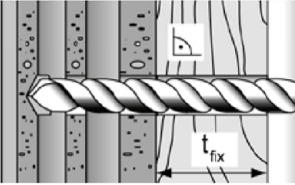
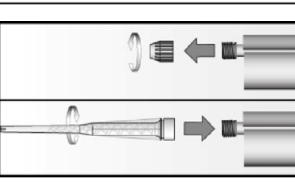
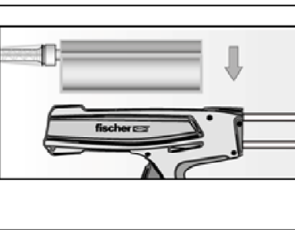
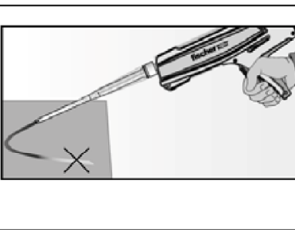
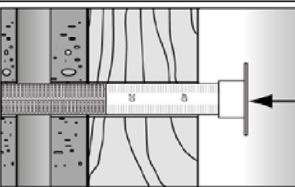
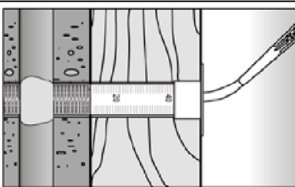
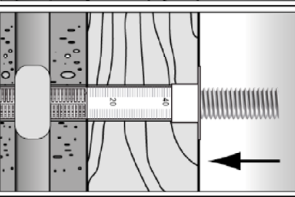
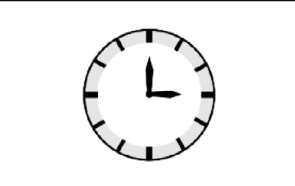
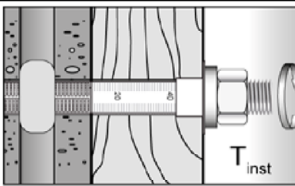
fischer injection system FIS V Plus for masonry

Intended use
Installation instruction (with perforated sleeve) part 2

Annex B 10

Installation instruction part 3

Installation in perforated or solid brick with perforated sleeve (push through anchorage)

1		<p>Push the movable stop up to the correct thickness of fixture and cut the overlap.</p>		<p>Drill the hole through the fixture. Depth of drill hole ($h_0 + t_{fix}$) and drill hole diameter see Table B7.1</p>
2		<p>Remove the sealing cap. Screw on the static mixer. (the spiral in the static mixer must be clearly visible)</p>		
3		<p>Place the cartridge into a suitable dispenser.</p>		<p>Press out approximately 10 cm of mortar until the resin is permanently grey in colour. Mortar which is not grey in colour will not cure and must be disposed of.</p>
4		<p>Insert the perforated sleeve flush with the surface of the fixture into the drill hole.</p>		<p>Fill the sleeve with mortar beginning from the bottom of the hole.¹⁾ For deep drill holes use an extension tube.</p>
5		<p>Only use clean and oil-free metal parts. Mark the anchor rod for setting depth. Insert the anchor rod or the internal threaded anchor FIS E by hand using light turning motions until reaching the setting depth marking (anchor rod) or flush with the surface (internal threaded anchor).</p>		
6		<p>Do not touch. Minimum curing time see Table B8.2</p>		<p>Mounting the fixture. T_{inst} see parameter of brick.</p>

¹⁾ Exact volume of mortar see manufacturer's specification.

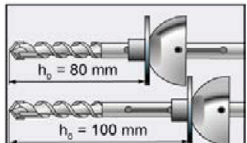
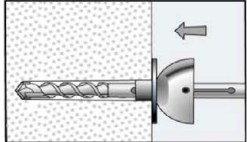
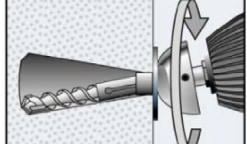
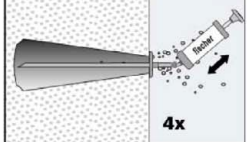
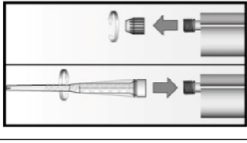
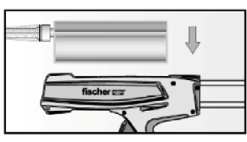

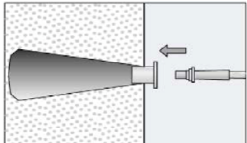
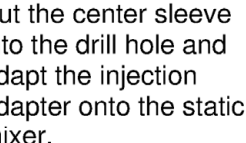
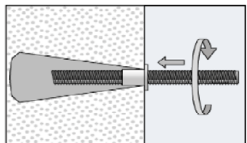
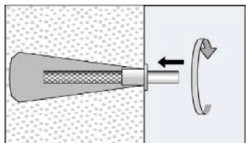

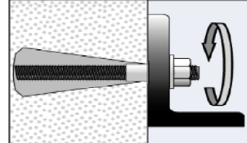
fischer injection system FIS V Plus for masonry

Intended use
Installation instruction (with perforated sleeve) part 3

Annex B 11

Installation instruction part 4

Installation in autoclaved aerated concrete with special conic drill bit PBB
(pre-positioned anchorage)

1		<p>Position the movable drill bit arrester on the used drill hole depth (see Annex B 4, Table B4.1) For this, unlock the clamp screw and slide the arrester. Now fix the clamp screw.</p>	
2		<p>Drill the cylindrical hole with rotating drill until the arrester contact the material surface. (drilling method see Annex C of the respective brick)</p>	
3		<p>Deviate the working power drill circulate to generate an conic undercut in the material.</p>	
4		<p>Blow out the drill hole four times.</p>	
5		<p>Remove the sealing cap. Screw on the static mixer. (the spiral in the static mixer must be clearly visible)</p>	
6			<p>Press out approximately 10 cm of mortar until the resin is permanently grey in colour. Mortar which is not grey in colour will not cure and must be disposed of.</p>
7			<p>Put the center sleeve into the drill hole and adapt the injection adapter onto the static mixer.</p> <p>Fill the drill hole with injection mortar.</p>
8			<p>Only use clean and oil-free metal parts. Mark the anchor rod for setting depth. Insert the anchor rod or internal threaded anchor FIS E by hand using light turning motions. When reaching the setting depth marking, excess mortar must emerge from the mouth of the drill hole.</p>
9		<p>Do not touch. Minimum curing time see Table B8.2</p>	 <p>Mounting the fixture. T_{inst} see parameter of brick.</p>

fischer injection system FIS V Plus for masonry

Intended use

Installation instruction for autoclaved aerated concrete with special conic drill bit PBB
(pre-positioned anchorage) part 4

Annex B 12

Table B13.1: Overview of controlled bricks (part 1)

Kind of masonry	Brick format [mm]	Compressive strength f_b [N/mm ²]	Producing country	Density ρ [kg/dm ³]	Annex
Solid brick Mz					
Solid brick Mz	NF $\geq 240 \times 115 \times 71$	12 - 20	Germany	$\geq 1,8$	C4 - C7
	2DF $\geq 240 \times 115 \times 113$	10 - 16	Germany	$\geq 1,8$	C8/C9
	$\geq 245 \times 118 \times 54$	10 - 20	Italy	$\geq 1,8$	C10/C11
	$\geq 230 \times 108 \times 55$	10 - 20	Denmark	$\geq 1,8$	C12/C13
Solid sand- lime brick KS / perforated Sand- lime brick KSL					
Solid sand - lime brick KS	NF $\geq 240 \times 115 \times 71$	12 - 28	Germany	$\geq 2,0$	C14/C15
	8DF $\geq 250 \times 240 \times 240$	10 - 28	Germany	$\geq 2,0$	C16/C17
	$\geq 997 \times 214 \times 538$	10 - 36	Netherlands	$\geq 1,8$	C18/C19
Perforated sand - lime brick KSL	3DF $240 \times 175 \times 113$	8 - 20	Germany	$\geq 1,4$	C20 - C23
Vertical perforated brick HLz					
Vertical perforated brick HLz	$370 \times 240 \times 237$	4 - 12	Germany	$\geq 1,0$	C24/C25
	$500 \times 175 \times 237$	4 - 12	Germany	$\geq 1,0$	C24/C25
	2DF $240 \times 115 \times 113$	6 - 28	Germany	$\geq 1,4$	C26/C27
	$248 \times 365 \times 248$	4 - 8	Germany	$\geq 0,6$	C28 - C31
	$248 \times 365 \times 249$	8 - 12	Germany	$\geq 0,7$	C32 - C35
	$248 \times 365 \times 249$	4 - 6	Germany	$\geq 0,5$	C36 - C39
	$248 \times 425 \times 248$	4 - 8	Germany	$\geq 0,8$	C40 - C43
	$248 \times 425 \times 248$	4 - 8	Germany	$\geq 0,6$	C44 - C47
	$500 \times 200 \times 315$	4 - 8	France	$\geq 0,6$	C48 - C51
	$500 \times 200 \times 300$	4 - 10	France	$\geq 0,7$	C52 - C55
	$500 \times 200 \times 315$	2 - 8	France	$\geq 0,7$	C56 - C59
	$560 \times 200 \times 275$	4 - 8	France	$\geq 0,7$	C60/C61
	$255 \times 120 \times 118$	2 - 12	Italy	$\geq 1,0$	C62 - C64
	$275 \times 130 \times 94$	6 - 20	Spain	$\geq 0,8$	C65/C66
	$220 \times 190 \times 290$	6 - 10	Portugal	$\geq 0,7$	C67 - C70
	$253 \times 300 \times 240$	2 - 6	Austria	$\geq 0,8$	C71 - C74
	$250 \times 440 \times 250$	6 - 10	Austria	$\geq 0,7$	C75 - C78
$230 \times 108 \times 55$	2 - 8	Denmark	$\geq 1,4$	C79/C80	
Horizontal perforated brick LLz					
Horizontal perforated brick LLz	$248 \times 78 \times 250$	2 - 6	Italy	$\geq 0,7$	C81/C82
	$128 \times 88 \times 275$	2	Spain	$\geq 0,8$	C83/C84
Light-weight concrete hollow block Hbl					
Light-weight concrete hollow block Hbl	$362 \times 240 \times 240$	2 - 4	Germany	$\geq 1,0$	C85 - C88
	$500 \times 200 \times 200$	2 - 6	France	$\geq 1,0$	C89/C90
	$440 \times 215 \times 215$	4 - 10	Ireland	$\geq 1,2$	C91 - C94
fischer injection system FIS V Plus for masonry				Annex B 13	
Intended use Overview of controlled bricks (part 1)					

Table B14.1: Overview of controlled bricks (part 2)

Kind of masonry	Brick format [mm]	Compressive strength f_b [N/mm ²]	Producing country	Density ρ [kg/dm ³]	Annex
Light-weight concrete solid block Vbl					
Light-weight concrete solid block Vbl	≥ 372x300x254	2	Germany	≥0,6	C95/C96
	≥ 250x240x239	4 - 8	Germany	≥1,6	C97 - C100
	≥ 440x100x215	4 - 10	Ireland	≥2,0	C101/C102
	≥ 440x95x215	6 - 12	England	≥2,0	C103/C104
Autoclaved aerated concrete (AAC)					
PP2 / AAC	-	2	Germany	0,35	C105 - C109
PP4 / AAC	-	4	Germany	0,5	C105 - C109
PP6 / AAC	-	6	Germany	0,65	C105 - C109

fischer injection system FIS V Plus for masonry

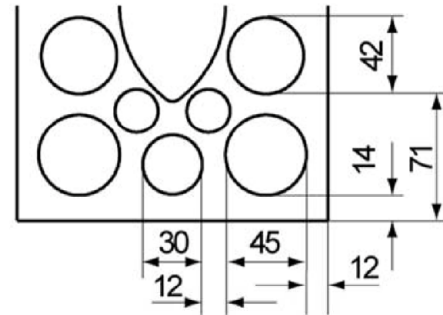
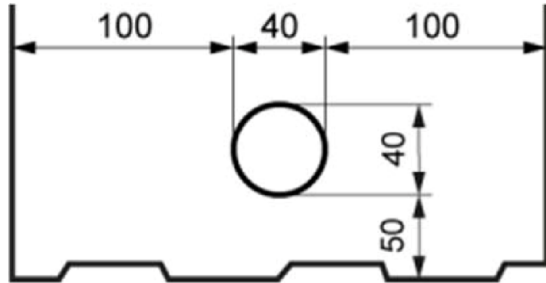
Intended use
Overview of controlled bricks (part 2)

Annex B 14

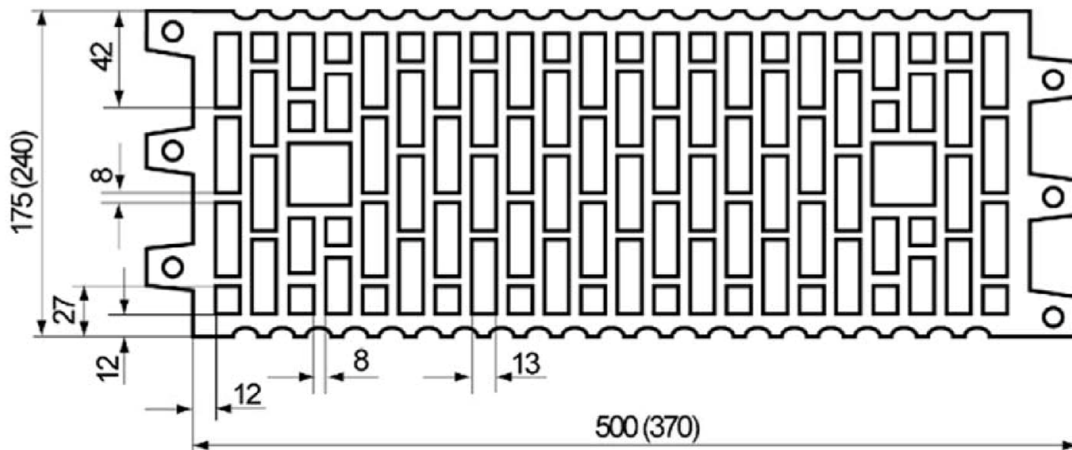
Table B15.1: Overview dimensions of perforated and hollow bricks (part 1)

Solid sand-lime brick KS, 8DF, EN 771-2:2015 according to Annex C 16

Perforated sand-lime brick KSL, 3DF, EN 771-2:2015; e.g. KS Wemding according to Annex C 20

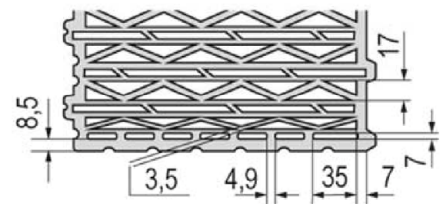
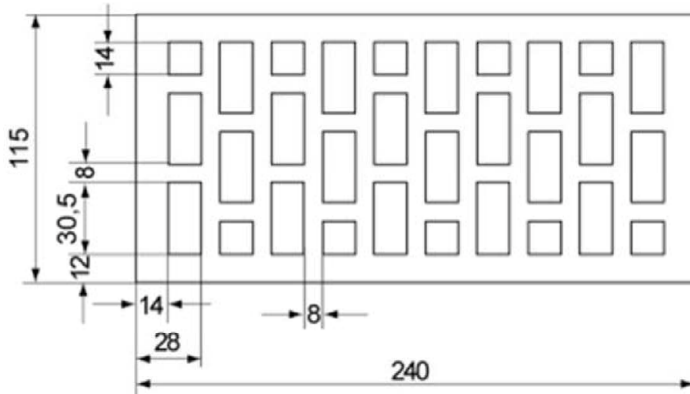


Vertical perforated brick HLz, EN 771-1:2015; e.g. Wienerberger, Poroton according to Annex C 24



Vertical perforated brick HLz, 2DF, EN 771-1:2015; e.g. Wienerberger according to Annex C 26

Vertical perforated brick HLz, T8, EN 771-1:2015; according to Annex C 28



Pictures not to scale

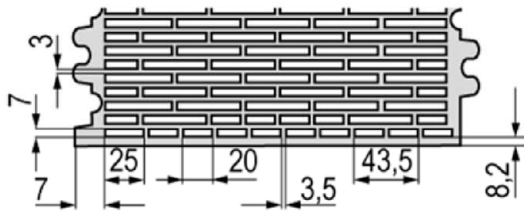
fischer injection system FIS V Plus for masonry

Intended use
Overview dimensions of perforated and hollow bricks (part 1)

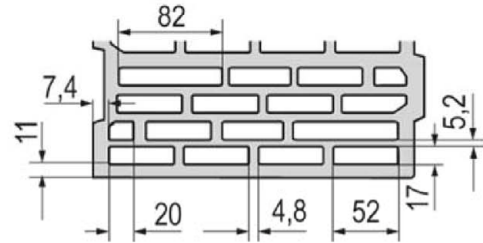
Annex B 15

Table B16.1: Overview dimensions of perforated and hollow bricks (part 2)

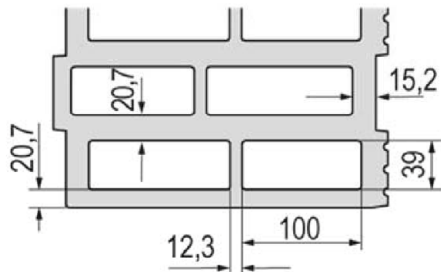
Vertical perforated brick HLz, T10, T11, EN 771-1:2015; according to Annex C32



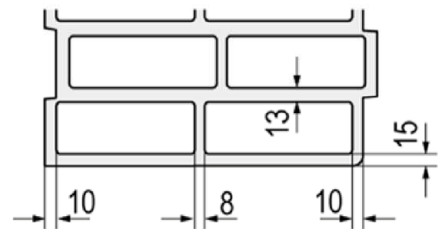
Vertical perforated brick HLz, T7 PF, filled with perlite, EN 771-1:2015; according to Annex C 36



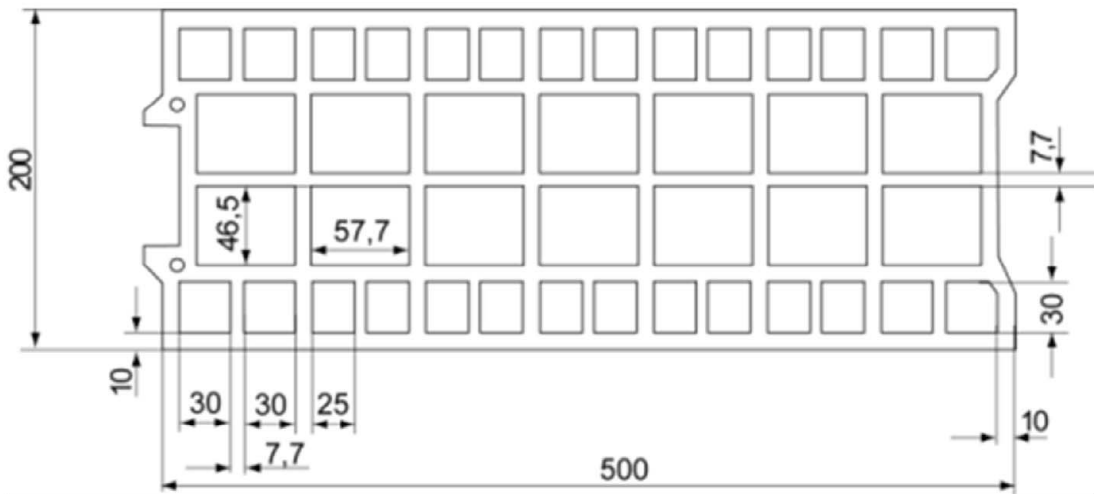
Vertical perforated brick HLz, S9 MW, filled with mineral wool, EN 771-1:2015; according to Annex C 40



Vertical perforated brick HLz, T7 MW, filled with mineral wool, EN 771-1:2015; according to Annex C 44



Vertical perforated brick HLz, EN 771-1:2015; e.g. Bouyer Leroux; According to Annex C 48



Pictures not to scale

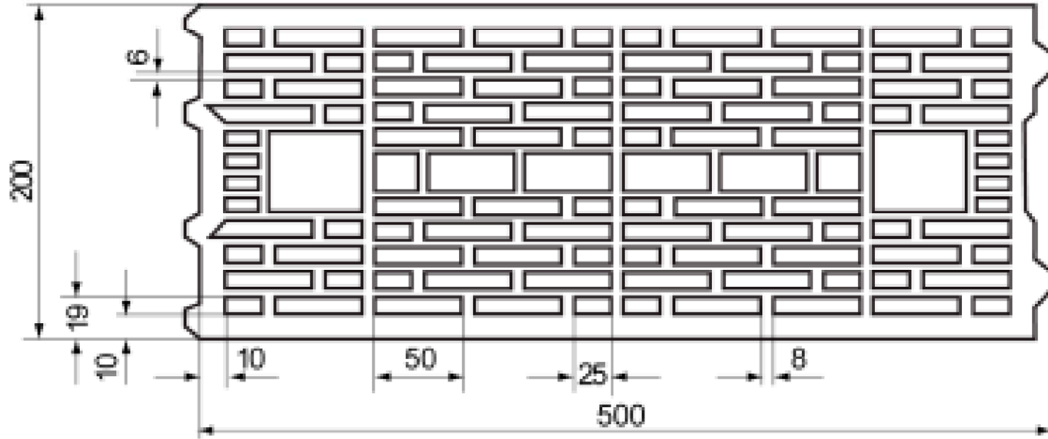
fischer injection system FIS V Plus for masonry

Intended use
Overview dimensions of perforated and hollow bricks (part 2)

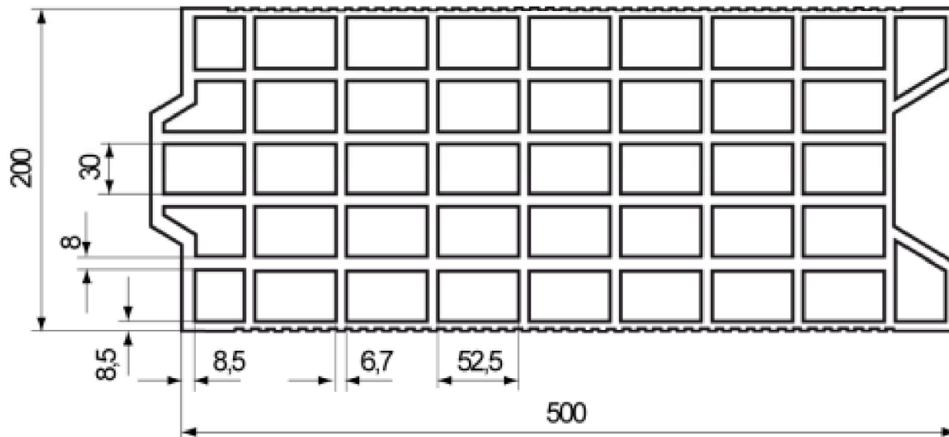
Annex B 16

Table B17.1: Overview dimensions of perforated and hollow bricks (part 3)

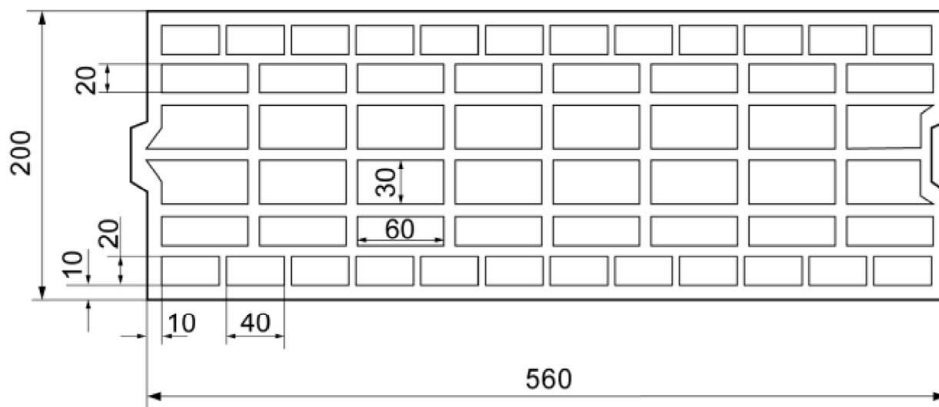
Vertical perforated brick HLz, EN 771-1:2015; e.g. Wienerberger according to Annex C 52



Vertical perforated brick HLz, EN 771-1:2015; e.g. Terreal according to Annex C 56



Vertical perforated brick HLz, EN 771-1:2015; e.g. Imery according to Annex C 60



Pictures not to scale

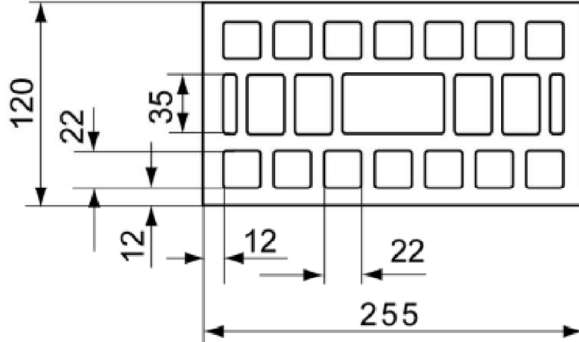
fischer injection system FIS V Plus for masonry

Intended use
Overview dimensions of perforated and hollow bricks (part 3)

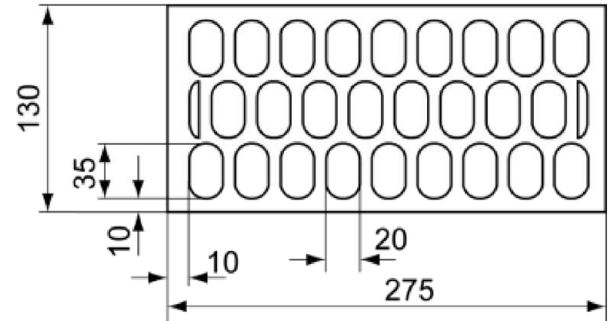
Annex B 17

Table B18.1: Overview dimensions of perforated and hollow bricks (part 4)

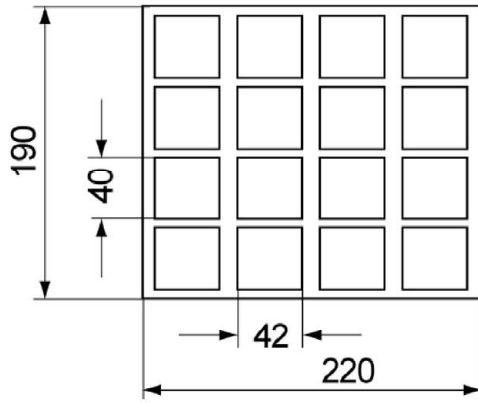
Vertical perforated brick HLz, EN 771-1:2015;
e.g. Wienerberger according to Annex C 62



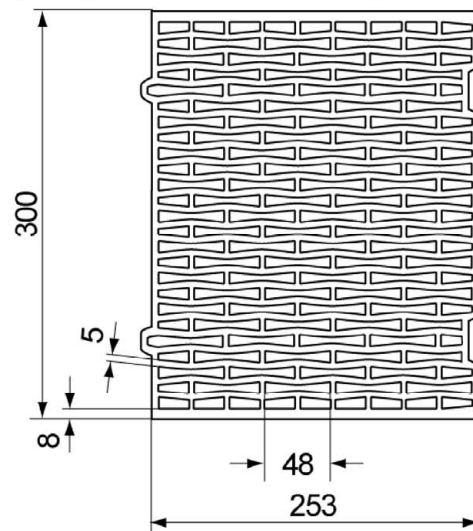
Vertical perforated brick HLz, EN 771-1:2015;
e.g. Ceramica Farreny S.A. according to Annex C 65



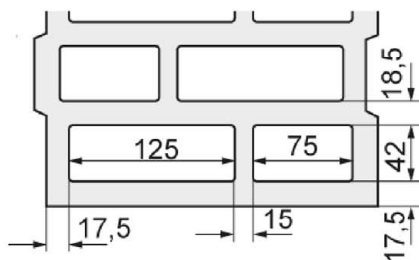
Vertical perforated brick HLz, EN 771-1:2015;
e.g. Perceram according to Annex C 67



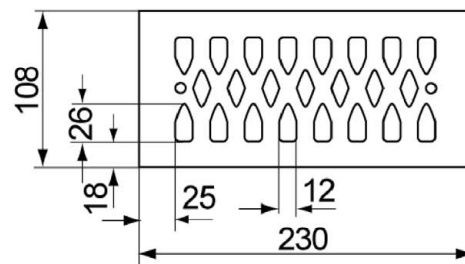
Vertical perforated brick HLz, EN 771-1:2015;
e.g. Ziegelwerk Brenna according to Annex C 71



Vertical perforated brick HLz, Porotherm W 44, filled
with mineral wool, EN 771-1:2015 according to
Annex C 75



Vertical perforated brick HLz, EN 771-1:2015;
e.g. Wienerberger according to Annex C 79



Pictures not to scale

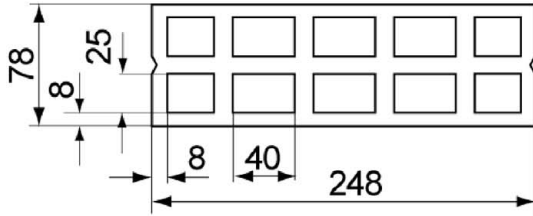
fischer injection system FIS V Plus for masonry

Intended use
Overview dimensions of perforated and hollow bricks (part 4)

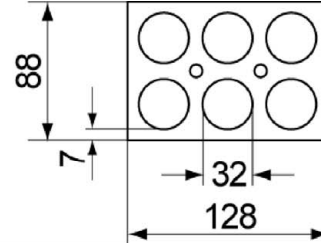
Annex B 18

Table B19.1: Overview dimensions of perforated and hollow bricks (part 5)

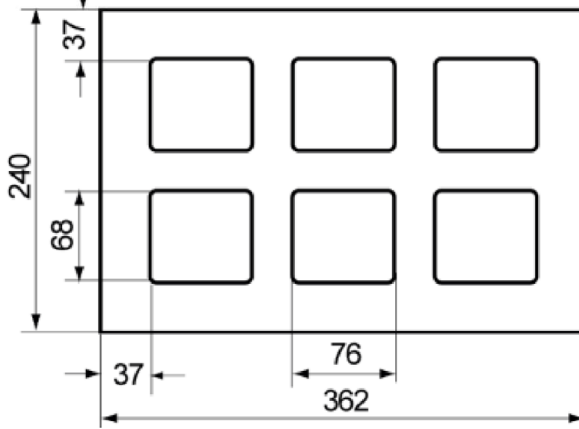
Horizontal perforated brick LLz, EN 771-1:2015; according to Annex C 81



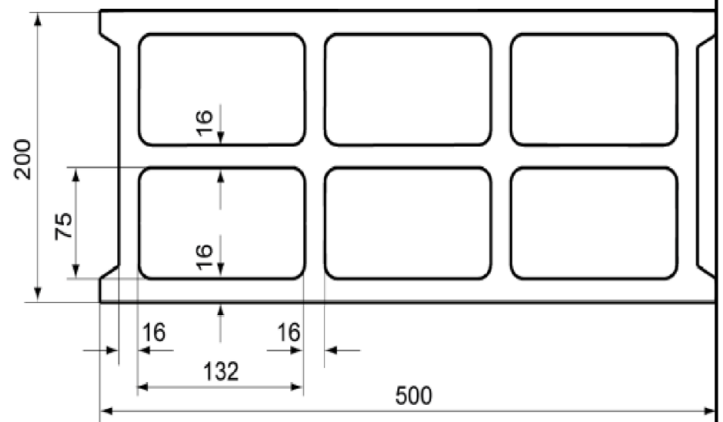
Horizontal perforated brick LLz, EN 771-1:2015; e.g. Germanica Farreny S.A according to Annex C 83



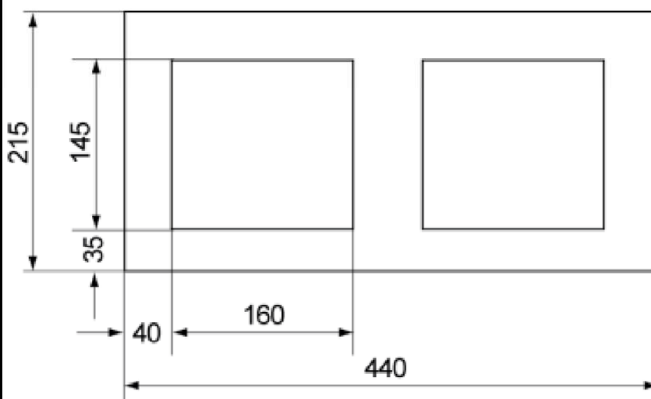
Light-weight concrete hollow block Hbl, EN 771-3:2015; according to Annex C 85



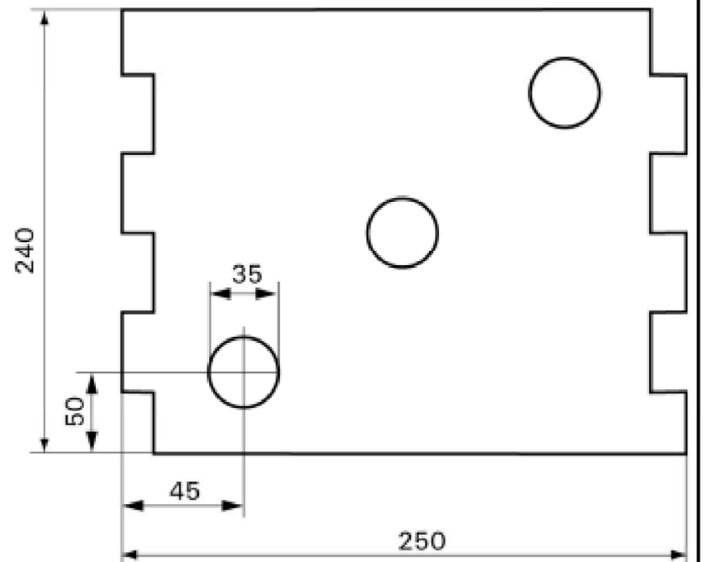
Light-weight concrete hollow block Hbl, EN 771-3:2015; e.g. Sepa according to Annex C 89



Light-weight concrete hollow block Hbl, EN 771-3:2015; e.g. Roadstone wood according to Annex C 91



Light-weight concrete solid block Vbl, EN 771-3:2015; e.g. Sepa according to Annex C 97



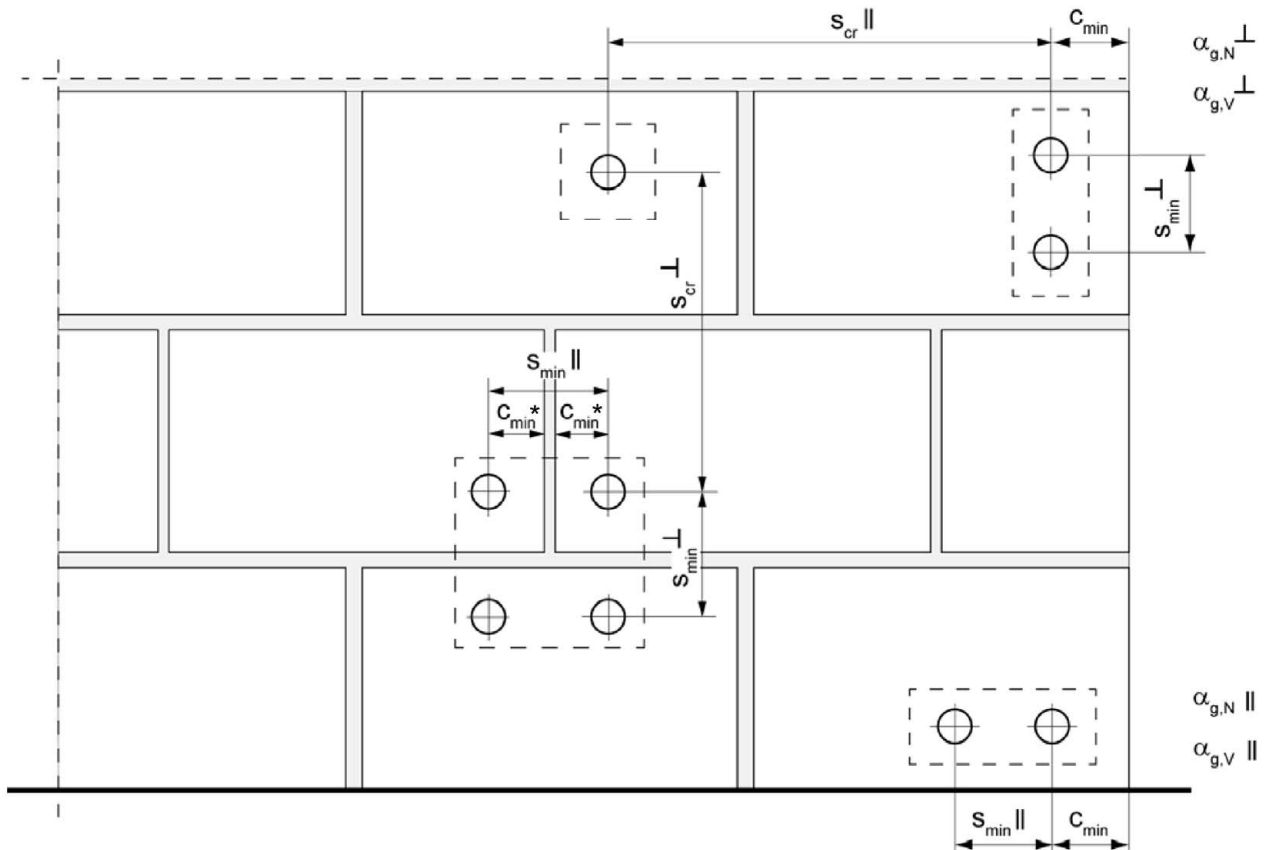
Pictures not to scale

fischer injection system FIS V Plus for masonry

Intended use
Overview dimensions of perforated and hollow bricks (part 5)

Annex B 19

Spacing and edge distance



* Only, if vertical joints are not completely filled with mortar

- $s_{min \parallel}$ = Minimum spacing parallel to bed joint
- $s_{min \perp}$ = Minimum spacing vertical to bed joint
- $s_{cr \parallel}$ = Characteristic spacing parallel to bed joint
- $s_{cr \perp}$ = Characteristic spacing vertical to bed joint
- $C_{cr} = C_{min}$ = Edge distance
- $\alpha_{g,N \parallel}$ = Group factor for tension resistance, anchor group parallel to bed joint
- $\alpha_{g,V \parallel}$ = Group factor for shear resistance, anchor group parallel to bed joint
- $\alpha_{g,N \perp}$ = Group factor for tension resistance, anchor group vertical to bed joint
- $\alpha_{g,V \perp}$ = Group factor for shear resistance, anchor group vertical to bed joint

For $s \geq s_{cr}$ $\alpha_g = 2$

For $s_{min} \leq s < s_{cr}$ α_g according to installation parameters of brick

$N^g_{Rk} = \alpha_{g,N} \cdot N_{Rk}$; $V^g_{Rk} = \alpha_{g,V} \cdot V_{Rk}$ (Group of 2 anchors)

$N^g_{Rk} = \alpha_{g,N \parallel} \cdot \alpha_{g,N \perp} \cdot N_{Rk}$; $V^g_{Rk} = \alpha_{g,V \parallel} \cdot \alpha_{g,V \perp} \cdot V_{Rk}$ (Group of 4 anchors)

fischer injection system FIS V Plus for masonry

Intended use
Spacing and edge distance

Annex B 20

Table C1.1: Characteristic values for the **resistance to steel failure of anchor rods** under tension load

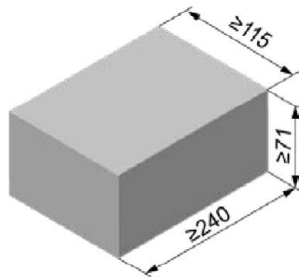
Anchor rod		M6	M8	M10	M12	M16	
Resistance under tension load, steel failure							
Characteristic resistance $N_{Rk,s}$	Steel zinc plated	4.6	8	15(13) ³⁾	23(21) ³⁾	33	63
		4.8	8	15(13) ³⁾	23(21) ³⁾	33	63
	Stainless steel R and High corrosion resistant steel HCR	5.8	10	19(17) ³⁾	29(27) ³⁾	43	79
		8.8	16	29(27) ³⁾	47(43) ³⁾	68	126
		50	10	19	29	43	79
		70	14	26	41	59	110
	80	16	30	47	68	126	
Partial factors ¹⁾							
Partial factor $\gamma_{Ms,N}$	Steel zinc plated	4.6	2,00				
		4.8	1,50				
		5.8	1,50				
	Stainless steel R and High corrosion resistant steel HCR	8.8	1,50				
		50	2,86				
		70	1,50 ²⁾ / 1,87				
		80	1,60				
<p>¹⁾ In absence of other national regulations</p> <p>²⁾ Only for fischer FIS A made of high corrosion-resistant steel HCR</p> <p>³⁾ Values in brackets are valid for undersized threaded rods with smaller stress area A_s for hot dip galvanised standard threaded rods according to EN ISO 10684:2004+AC:2009</p>							
fischer injection system FIS V Plus for masonry						Annex C 1	
Performance Characteristic resistance to steel failure of anchor rods under tension load							

Table C2.1: Characteristic values for the **resistance to steel failure of anchor rods** under shear load

Anchor rod		M6	M8	M10	M12	M16		
Resistance under shear load, steel failure								
without lever arm								
Characteristic resistance $V_{Rk,s}$	Steel zinc plated	4.6	[kN]	4	9(8) ³⁾	14(13) ³⁾	20	38
		4.8		4	9(8) ³⁾	14(13) ³⁾	20	38
	5.8	6		11(10) ³⁾	17(16) ³⁾	25	47	
	8.8	8		15(13) ³⁾	23(21) ³⁾	34	63	
	Stainless steel R and High corrosion resistant steel HCR	50		5	9	15	21	39
		70		7	13	20	30	55
80	8	15	23	34	63			
with lever arm								
Characteristic resistance $M_{Rk,s}^0$	Steel zinc plated	4.6	[Nm]	6	15(13) ³⁾	30(27) ³⁾	52	133
		4.8		6	15(13) ³⁾	30(27) ³⁾	52	133
	5.8	7		19(16) ³⁾	37(33) ³⁾	65	166	
	8.8	12		30(26) ³⁾	60(53) ³⁾	105	266	
	Stainless steel R and High corrosion resistant steel HCR	50		7	19	37	65	166
		70		10	26	52	92	232
80	12	30	60	105	266			
Partial factors¹⁾								
Partial factor $\gamma_{Ms,V}$	Steel zinc plated	4.6	[-]	1,67				
		4.8		1,25				
	5.8	1,25						
	8.8	1,25						
	Stainless steel R and High corrosion resistant steel HCR	50		2,38				
		70		1,25 ²⁾ / 1,56				
80	1,33							
<p>1) In absence of other national regulations</p> <p>2) Only for fischer FIS A made of high corrosion-resistant steel HCR</p> <p>3) Values in brackets are valid for undersized threaded rods with smaller stress area A_s for hot dip galvanised standard threaded rods according to EN ISO 10684:2004+AC:2009.</p>								
fischer injection system FIS V Plus for masonry						Annex C 2		
Performance Characteristic resistance to steel failure of anchor rods under shear load								

Table C3.1: Characteristic values for the resistance to steel failure of internal threaded anchors FIS E under tension / shear load								
fischer internal threaded anchor FIS E				M6	M8	M10	M12	
Resistance under tension load, steel failure								
Characteristic resistance with screw	$N_{Rk,s}$	Property class	5.8	[kN]	10	18	29	42
		Property class 70	R		14	26	41	59
			HCR		14	26	41	59
Partial factors¹⁾								
Partial factor	$\gamma_{Ms,N}$	Property class	5.8	[-]	1,50			
		Property class 70	R		1,87			
			HCR		1,87			
Resistance under shear load, steel failure								
without lever arm								
Characteristic resistance with screw	$V_{Rk,s}$	Property class	5.8	[kN]	5	9	15	21
		Property class 70	R		7	13	20	30
			HCR		7	13	20	30
with lever arm								
Characteristic resistance	$M^0_{Rk,s}$	Property class	5.8	[Nm]	8	19	37	65
		Property class 70	R		11	26	52	92
			HCR		11	26	52	92
Partial factors¹⁾								
Partial factor	$\gamma_{Ms,v}$	Property class	5.8	[-]	1,25			
		Property class 70	R		1,56			
			HCR		1,56			
¹⁾ In absence of other national regulations								
fischer injection system FIS V Plus for masonry							Annex C 3	
Performance Characteristic resistance to steel failure of fischer internal threaded anchor FIS E								

Solid brick Mz, NF, EN 771-1:2015



Solid brick Mz, NF, EN 771-1:2015			
Producer	e.g. Wienerberger		
Nominal dimensions [mm]	length L	width W	height H
	≥ 240	≥ 115	≥ 71
Density ρ [kg/dm ³]	≥ 1,8		
Compressive strength f_b [N/mm ²]	12 / 20		
Standard or annex	EN 771-1:2015		

Table C4.1: Installation parameters for edge distance $c=100\text{mm}$

Anchor rod		M6	M8	M10	M12	-	-	
Internal threaded anchor FIS E		-	-	-	-	M6 11x85	M8 M10 M12 15x85	
Anchor rod and internal threaded anchor FIS E without perforated sleeve								
Effective anchorage depth h_{ef}	[mm]	50	50	50	50	85		
		80	80	80	80			
		200	200	200	200			
Max. installation torque T_{inst}	[Nm]	4	10		4	10		
General installation parameters								
Edge distance c_{min}	[mm]	100				100		
Edge distance $h_{ef}=200$		150				- ¹⁾		
Spacing $h_{ef}=200$		$s_{min II,N}$	60				60	
		$s_{min II,N}$	240				- ¹⁾	
Spacing		$s_{min II,V}$	240				240	
		$s_{cr II}$	240				240	
		$s_{cr \perp} = s_{min \perp}$	75				75	
Drilling method								
Hammer drilling with hard metal hammer drill								

¹⁾ No performance assessed

Table C4.2: Group factors

Anchor rods		M6	M8	M10	M12	-	-
Internal threaded anchor FIS E		-	-	-	-	M6 11x85	M8 M10 M12 15x85
Edge distance c_{min}	[mm]	100					
Group factor	$\alpha_{g,N II}$	1,5					
	$\alpha_{g,V II}$	2,0					
	$h_{ef}=200 \alpha_{g,N II}$	1,5					
	$h_{ef}=200 \alpha_{g,V II}$	2,0					
	$\alpha_{g,N \perp}$	2,0					
	$\alpha_{g,V \perp}$	2,0					
	$h_{ef}=200 \alpha_{g,N \perp}$	2,0					
	$h_{ef}=200 \alpha_{g,V \perp}$	2,0					

fischer injection system FIS V Plus for masonry

Performance
Solid brick Mz, NF, dimensions, installation parameters $c=100\text{mm}$

Annex C 4

Solid brick Mz, NF, EN 771-1:2015

Table C5.1: Characteristic resistance under tension load for edge distance $c=100\text{mm}$

Anchor rod		M6	M8	M10		M12		-		-	
Internal threaded anchor FIS E		-	-	-		-		M6	M8	M10	M12
								11x85		15x85	
$N_{Rk} = N_{Rk,p} = N_{Rk,b}$ [kN] depending on the compressive strength f_b (temperature range 50/80°C)											
compressive strength f_b	use categorie	Effective anchorage depth h_{ef} [mm]									
		≥ 50	≥ 50	50	80	200	50	80	200	85	
12N/mm ²	w/w	2,5	2,5	2	3	7,5	2	3,5	5	3,5	
	w/d	4	4	3,5	5	12	3	5,5	8	5,5	
20N/mm ²	w/w	3,5	3,5	3	4,5	11	3	5	7	5	
	w/d	5,5	5,5	5	7	12	4,5	8	11,5	8	

Factor for temperature range 72/120°C: 0,83

Table C5.2: Characteristic resistance under shear load for edge distance $c=100\text{mm}$

Anchor rod		M6	M8	M10		M12		-		-	
Internal threaded anchor FIS E		-	-	-		-		M6	M8	M10	M12
								11x85		15x85	
$V_{Rk} = V_{Rk,b} = V_{Rk,c}$ [kN] depending on the compressive strength f_b (temperature range 50/80°C and 72/120°C)											
compressive strength f_b	use categorie	Effective anchorage depth h_{ef} [mm]									
		≥ 50	≥ 50	≥ 50	200	≥ 50	200	85			
12N/mm ²	w/w	2,5	2,5	4	8,5	4	11,5	2,5			
	w/d	2,5	2,5	4	8,5	4	11,5	2,5			
20N/mm ²	w/w	4,0	4,0	6	12	5,5	12	4			
	w/d	4,0	4,0	6	12	5,5	12	4			

Factor for job site tests and displacements see annex C110

fischer injection system FIS V Plus for masonry

Performance

Solid brick Mz, NF, Characteristic resistance under tension and shear load $c=100\text{mm}$

Annex C 5

Solid brick Mz, NF, EN 771-1:2015

Table C6.1: Installation parameters for edge distance $c=60\text{mm}$

Anchor rod		M6	M8	M10	M12	M16	-		-		
Internal threaded anchor FIS E		-	-	-	-	-	M6	M8	M10	M12	
						11x85		15x85			
Anchor rod and internal threaded anchor FIS E without perforated sleeve											
Effective anchorage depth	h_{ef} [mm]	50	50	50	50	50	85				
		100	100	100	100	100					
		200	200	200	200	200					
Max. installation torque	T_{inst} [Nm]	4	10				4	10			
General installation parameters											
Edge distance	c_{min}					60					
Edge distance $h_{ef}=200$	c_{min}					60					
Spacing	$s_{min II,N}$					80					
	$h_{ef}=200$ $s_{min II,N}$					80					
	$s_{min II,V}$					80					
	$s_{cr II}$					$3x h_{ef}$					
	$s_{min \perp}$					80					
	$s_{cr \perp}$					$3x h_{ef}$					
Drilling method											
Hammer drilling with hard metal hammer drill											

Table C6.2: Group factors

Anchor rods		M6	M8	M10	M12	M16	-		-	
Internal threaded anchor FIS E		-	-	-	-	-	M6	M8	M10	M12
						11x85		15x85		
Edge distance	c_{min} [mm]					60				
Group factor	$\alpha_{g,N II}$					0,6				
	$\alpha_{g,V II}$					1,3				
	$h_{ef}=200$ $\alpha_{g,N II}$					1,4				
	$h_{ef}=200$ $\alpha_{g,V II}$					1,5				
	$\alpha_{g,N \perp}$					0,3				
	$\alpha_{g,V \perp}$					1,3				
	$h_{ef}=200$ $\alpha_{g,N \perp}$					2,0				
	$h_{ef}=200$ $\alpha_{g,V \perp}$					1,1				

fischer injection system FIS V Plus for masonry

Performance
Solid brick Mz, NF, dimensions, installation parameters $c=60\text{mm}$

Annex C 6

Solid brick Mz, NF, EN 771-1:2015

Table C7.1: Characteristic resistance under tension load for edge distance $c=60\text{mm}$

Anchor rod	M6	M8	M10	M12	M16	-		-	
Internal threaded anchor FIS E	-	-	-	-	-	M6	M8	M10	M12
						11x85		15x85	

$N_{Rk} = N_{Rk,p} = N_{Rk,b}$ [kN] depending on the compressive strength f_b (temperature range 50/80°C)

compressive strength f_b	use category	Effective anchorage depth h_{ef} [mm]												85
		50	100	50	100	50	100	200	50	100	200	50	100	
12N/mm ²	w/w w/d	1,5	2,0	2,0	2,0	2,5	- ¹⁾	2,0	2,5	- ¹⁾	2,0	5,5	- ¹⁾	- ¹⁾
	d/d	2,5	3,0	4,0	3,0	4,0	9,5	3,0	4,0	9,5	3,0	8,5	9,5	- ¹⁾
20N/mm ²	w/w w/d	2,0	2,5	3,0	2,5	3,5	- ¹⁾	3,0	3,5	- ¹⁾	3,0	7,5	- ¹⁾	- ¹⁾
	d/d	3,5	4,5	5,5	4,5	5,5	12	4,5	5,5	12	4,5	12	12	- ¹⁾
28N/mm ²	w/w w/d	2,5	3,0	4,0	3,0	4,0	- ¹⁾	3,5	4,0	- ¹⁾	3,5	9,0	- ¹⁾	- ¹⁾
	d/d	4,0	5,5	6,5	5,5	6,5	12	5,5	6,5	12	5,5	12	12	- ¹⁾

¹⁾ No performance assessed

Factor for temperature range 72/120°C: 0,83

Table C7.2: Characteristic resistance under shear load for edge distance $c=60\text{mm}$

Anchor rod	M6	M8	M10	M12	M16	-		-	
Internal threaded anchor FIS E	-	-	-	-	-	M6	M8	M10	M12
						11x85		15x85	

$V_{Rk} = V_{Rk,b} = V_{Rk,c}$ [kN] depending on the compressive strength f_b (temperature range 50/80°C and 72/120°C)

compressive strength f_b	use category	Effective anchorage depth h_{ef} [mm]												85	
		50	100	50	100	50	100	200	50	100	200	50	100		200
12N/mm ²	w/w w/d	1,2	2,5	1,2	3,0	2,0	3,0	1,5	1,5	3,0	3,0	0,6	3,0	4,5	- ¹⁾
	d/d	1,2	2,5	1,2	3,0	2,0	3,0	1,5	1,5	3,0	3,0	0,6	3,0	4,5	- ¹⁾
20N/mm ²	w/w w/d	1,5	3,5	1,5	4,5	3,0	4,5	2,5	2,0	4,5	4,5	0,9	4,5	6,0	- ¹⁾
	d/d	1,5	3,5	1,5	4,5	3,0	4,5	2,5	2,0	4,5	4,5	0,9	4,5	6,0	- ¹⁾
28N/mm ²	w/w w/d	2,0	4,0	2,0	5,0	3,5	5,0	3,0	2,5	5,0	5,0	1,2	5,0	7,5	- ¹⁾
	d/d	2,0	4,0	2,0	5,0	3,5	5,0	3,0	2,5	5,0	5,0	1,2	5,0	7,5	- ¹⁾

¹⁾ No performance assessed

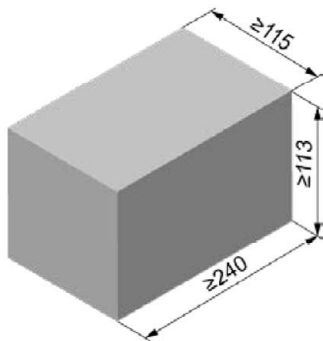
Factor for job site tests and displacements see annex C110

fischer injection system FIS V Plus for masonry

Performance
Solid brick Mz, NF, Characteristic resistance under tension and shear load $c=60\text{mm}$

Annex C 7

Solid brick Mz, 2DF, EN 771-1:2015



Solid brick Mz, 2DF, EN 771-1:2015			
Producer	e.g. Wienerberger		
Nominal dimensions [mm]	length L	width W	height H
	≥ 240	≥ 115	≥ 113
Density ρ [kg/dm ³]	≥ 1,8		
Compressive strength f_b [N/mm ²]	10 / 16		
Standard or annex	EN 771-1:2015		

Table C8.1: Installation parameters

Anchor rod		M6	M8	M10	M12	M16	-	-					
Internal threaded anchor FIS E		-	-	-	-	-	M6 11x85	M8 15x85					
Anchor rod and internal threaded anchor FIS E without perforated sleeve													
Effective anchorage depth h_{ef} [mm]		50	100	50	100	50	100	50	100	50	100	85	
Max. installation torque T_{inst} [Nm]		4		10						4	10		
Anchor rod and internal threaded anchor FIS E with perforated sleeve FIS H 16x85 K													
Effective anchorage depth h_{ef} [mm]		_1)		85				_1)		85		_1)	
Max. installation torque T_{inst} [Nm]		_1)		10				_1)		4	10	_1)	
General installation parameters													
Edge distance c_{min}								60					
Spacing	$s_{min \parallel}$							120					
	$s_{cr \parallel}$							240					
	$s_{cr \perp} = s_{min \perp}$							115					
Drilling method													
Hammer drilling with hard metal hammer drill													
_1) No performance assessed													
Table C8.2: Group factors													
Anchor rods		M6	M8	M10	M12	M16	-	-					
Internal threaded anchor FIS E		-	-	-	-	-	M6 11x85	M8 15x85					
Group factor	$\alpha_{g,N \parallel}$							1,5					
	$\alpha_{g,V \parallel}$							1,4					
	$\alpha_{g,N \perp}$							2					
	$\alpha_{g,V \perp}$												
fischer injection system FIS V Plus for masonry							Annex C 8						
Performance Solid brick Mz, 2DF, dimensions, installation parameters													

Solid brick Mz, 2DF, EN 771-1:2015

Table C9.1: Characteristic resistance under tension load

Anchor rod		M6	M8	M10	M12	M16	-		-		M8	M10	-		
Internal threaded anchor FIS E		-	-	-	-	-	M6	M8	M10	M12	-	-	M6	M8	
							11x85		15x85				11x85		
Perforated sleeve FIS H K		-	-	-	-	-	-		-		16x85				
$N_{Rk} = N_{Rk,p} = N_{Rk,b}$ [kN] depending on the compressive strength f_b (temperature range 50/80°C)															
compressive strength f_b	use category	Effective anchorage depth h_{ef} [mm]												85	
		50	100	50	100	50	100	50	100	50	100	50	100		
10N/mm ²	w/w	1,5	2,5	1,5	2,5	1,5	3	2	3,5	2	3,5	2		1,5	
	d/d	3	4,0	3,0	4,0	3,0	4,5	3	5,5	3	5,5	3		3	
16N/mm ²	w/w	2,5	4	2,5	4	2,5	4,5	3,5	5,5	3,5	5,5	3,5		2,5	
	d/d	4,5	7,0	4,5	7,0	4,5	7,5	5,5	8	5,5	8	5,5		4,5	

Factor for temperature range 72/120°C: 0,83

Table C9.2: Characteristic resistance under shear load

Anchor rod		M6	M8	M10	M12	M16	-		-		M8	M10	-		
Internal threaded anchor FIS E		-	-	-	-	-	M6	M8	M10	M12	-	-	M6	M8	
							11x85		15x85				11x85		
Perforated sleeve FIS H K		-	-	-	-	-	-		-		16x85				
$V_{Rk} = V_{Rk,b} = V_{Rk,c}$ [kN] depending on the compressive strength f_b (temperature range 50/80°C and 72/120°C)															
compressive strength f_b	use category	Effective anchorage depth h_{ef} [mm]												85	
		≥ 50													
10N/mm ²	w/w	2,5	3,0	3,0	3,5	3,0	2,5	3,0	3,0	3,0	3,0	3,5	2,5	3,0	
	d/d														
16N/mm ²	w/w	4,0	5,0	5,5	5,5	5,0	4,0	5,0	5,0	5,0	5,0	6,0	4,0	5,0	
	d/d														

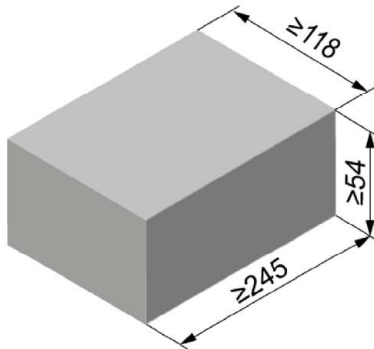
Factor for job site tests and displacements see annex C110

fischer injection system FIS V Plus for masonry

Performance
Solid brick Mz, 2DF, Characteristic resistance under tension and shear load

Annex C 9

Solid brick Mz, EN 771-1:2015



Solid brick Mz, EN 771-1:2015			
Producer	e.g. Nigra		
Nominal dimensions [mm]	length L	width W	height H
	≥ 245	≥ 118	≥ 54
Density ρ [kg/dm ³]	≥ 1,8		
Compressive strength f_b [N/mm ²]	10 / 20		
Standard or annex	EN 771-1:2015		

Table C10.1: Installation parameters

Anchor rod	M6	M8	M10	M12	M16	-	-			
Internal threaded anchor FIS E	-	-	-	-	-	M6	M8	M10	M12	
			11x85		15x85					
Anchor rod and internal threaded anchor FIS E without perforated sleeve										
Effective anchorage depth h_{ef} [mm]	50	100	50	100	50	100	50	100	85	
Max. installation torque T_{inst} [Nm]	4		10				4	10		
General installation parameters										
Edge distance c_{min}	60									
Spacing	$s_{cr \parallel} = s_{min \parallel}$ [mm]	245								
	$s_{cr \perp} = s_{min \perp}$	60								
Drilling method										
Hammer drilling with hard metal hammer drill										

Table C10.2: Group factors

Anchor rods	M6	M8	M10	M12	M16	-	-		
Internal threaded anchor FIS E	-	-	-	-	-	M6	M8	M10	M12
			11x85		15x85				
Group factor	$\alpha_{g,N \parallel}$	[-]	2						
	$\alpha_{g,V \parallel}$								
	$\alpha_{g,N \perp}$								
	$\alpha_{g,V \perp}$								

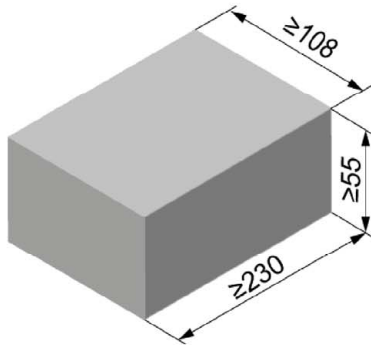
fischer injection system FIS V Plus for masonry

Performance
Solid brick Mz, dimensions, installation parameters

Annex C 10

Solid brick Mz, EN 771-1:2015																			
Table C11.1: Characteristic resistance under tension load																			
Anchor rod		M6		M8		M10		M12		M16		-		-					
Internal threaded anchor FIS E		-		-		-		-		-		M6		M8		M10		M12	
												11x85		15x85					
$N_{Rk} = N_{Rk,p} = N_{Rk,b}$ [kN] depending on the compressive strength f_b (temperature range 50/80°C)																			
compressive strength f_b		use category		Effective anchorage depth h_{ef} [mm]															
				≥ 50								85							
10N/mm ²		w/w	w/d	0,6	0,9	0,75	0,75	0,75	0,75	0,75	0,6	0,75							
		d/d		1,2	1,5	1,2	1,2	1,2	1,2	1,2	1,2	1,2	1,2						
20N/mm ²		w/w	w/d	0,9	1,5	1,2	1,2	1,2	1,2	1,2	0,9	1,2							
		d/d		1,5	2,5	2,0	2,0	2,0	2,0	2,0	2,0	1,5	2,0						
Factor for temperature range 72/120°C: 0,83																			
Table C11.2: Characteristic resistance under shear load																			
Anchor rod		M6		M8		M10		M12		M16		-		-					
Internal threaded anchor FIS E		-		-		-		-		-		M6		M8		M10		M12	
												11x85		15x85					
$V_{Rk} = V_{Rk,b} = V_{Rk,c}$ [kN] depending on the compressive strength f_b (temperature range 50/80°C and 72/120°C)																			
compressive strength f_b		use category		Effective anchorage depth h_{ef} [mm]															
				≥ 50								85							
10N/mm ²		w/w	w/d	2,0	3,0	4,0	4,5	5,5	5,5	5,5	2,0	3,0	4,0	4,5					
		d/d																	
20N/mm ²		w/w	w/d	2,5	4,0	5,5	6,0	8,0	8,0	8,0	2,5	4,0	5,5	6,0					
		d/d																	
Factor for job site tests and displacements see annex C110																			
fischer injection system FIS V Plus for masonry											Annex C 11								
Performance Solid brick Mz, Characteristic resistance under tension and shear load																			

Solid brick Mz, EN 771-1:2015



Solid brick Mz, EN 771-1:2015			
Producer	e.g. Wienerberger		
Nominal dimensions [mm]	length L	width W	height H
	≥ 230	≥ 108	≥ 55
Density ρ [kg/dm ³]	≥ 1,8		
Compressive strength f_b [N/mm ²]	10 / 20		
Standard or annex	EN 771-1:2015		

Table C12.1: Installation parameters

Anchor rod	M6	M8	M10	M12	M16	-	-			
Internal threaded anchor FIS E	-	-	-	-	-	M6	M8	M10	M12	
	11x85		15x85							
Anchor rod and internal threaded anchor FIS E without perforated sleeve										
Effective anchorage depth h_{ef} [mm]	50	90	50	90	50	90	50	90	85	
Max. installation torque T_{inst} [Nm]	4		10				4	10		
General installation parameters										
Edge distance c_{min}	60									
Spacing	$s_{cr \parallel} = s_{min \parallel}$ [mm]	230								
	$s_{cr \perp} = s_{min \perp}$	60								
Drilling method										
Hammer drilling with hard metal hammer drill										

Table C12.2: Group factors

Anchor rods	M6	M8	M10	M12	M16	-	-		
Internal threaded anchor FIS E	-	-	-	-	-	M6	M8	M10	M12
	11x85		15x85						
Group factor	$\alpha_{g,N \parallel}$	[-]	2						
	$\alpha_{g,V \parallel}$								
	$\alpha_{g,N \perp}$								
	$\alpha_{g,V \perp}$								

fischer injection system FIS V Plus for masonry

Performance
Solid brick Mz, dimensions, installation parameters

Annex C 12

Solid brick Mz, EN 771-1:2015

Table C13.1: Characteristic resistance under tension load

Anchor rod		M6	M8	M10	M12	M16	-		-		
Internal threaded anchor FIS E		-	-	-	-	-	M6	M8	M10	M12	
							11x85		15x85		
$N_{Rk} = N_{Rk,p} = N_{Rk,b}$ [kN] depending on the compressive strength f_b (temperature range 50/80°C)											
compressive strength f_b	use category	Effective anchorage depth h_{ef} [mm]									
		≥ 50								85	
10N/mm ²	w/w	w/d	0,6	0,9	0,75	0,75	0,75	0,75			
	d/d		1,2	1,5	1,2	1,2	1,2	1,2			
20N/mm ²	w/w	w/d	0,9	1,5	1,2	1,2	1,2	1,2			
	d/d		1,5	2,5	2,0	2,0	2,0	2,0			

Factor for temperature range 72/120°C: 0,83

Table C13.2: Characteristic resistance under shear load

Anchor rod		M6	M8	M10	M12	M16	-		-		
Internal threaded anchor FIS E		-	-	-	-	-	M6	M8	M10	M12	
							11x85		15x85		
$V_{Rk} = V_{Rk,b} = V_{Rk,c}$ [kN] depending on the compressive strength f_b (temperature range 50/80°C and 72/120°C)											
compressive strength f_b	use category	Effective anchorage depth h_{ef} [mm]									
		≥ 50								85	
10N/mm ²	w/w	w/d	2,0	3,0	4,0	4,5	5,5	2,0	3,0	4,0	4,5
	d/d										
20N/mm ²	w/w	w/d	2,5	4,0	5,5	6,0	8,0	2,5	4,0	5,5	6,0
	d/d										

Factor for job site tests and displacements see annex C110

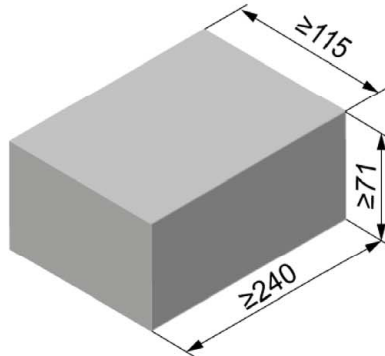
fischer injection system FIS V Plus for masonry

Performance

Solid brick Mz, Characteristic resistance under tension and shear load

Annex C 13

Solid sand-lime brick KS, NF, EN 771-2:2015



Solid sand-lime brick KS, NF, EN 771-2:2015			
Producer			
Nominal dimensions [mm]	length L	width W	height H
	≥ 240	≥ 115	≥ 71
Density ρ [kg/dm ³]	≥ 1,8		
Compressive strength f_b [N/mm ²]	12 / 20 / 28		
Standard or annex	EN 771-2:2015		

Table C14.1: Installation parameters

Anchor rod	M6	M8	M10	M12	M16	-	-				
Internal threaded anchor FIS E	-	-	-	-	-	M6	M8	M10	M12		
	11x85		15x85								
Anchor rod and internal threaded anchor FIS E without perforated sleeve											
Effective anchorage depth h_{ef} [mm]	50	100	50	100	50	100	50	100	85	85	
	200		200		200						
Max. installation torque T_{inst} [Nm]	3	5	15	15	25	3	5	15			
General installation parameters											
Edge distance c_{min}					60						
Spacing	$s_{min} \parallel$					80					
	$s_{cr} \parallel$					80					
	$s_{min} \perp$					3x h_{ef}					
	$s_{cr} \perp$					3x h_{ef}					
	Drilling method										
Hammer drilling with hard metal hammer drill											

Table C14.2: Group factors

Anchor rod	M6	M8	M10	M12	M16	-	-				
Internal threaded anchor FIS E	-	-	-	-	-	M6	M8	M10	M12		
	11x85		15x85								
Group factor	$\alpha_{g,N} \parallel$					0,7					
	$\alpha_{g,V} \parallel$					1,3					
	$\alpha_{g,N} \perp$					2,0					
	$\alpha_{g,V} \perp$					2,0					

fischer injection system FIS V Plus for masonry

Performance
Solid sand-lime brick KS, NF, dimensions, installation parameters

Annex C 14

Solid sand-lime brick KS, NF, EN 771-2:2015

Table C15.1: Characteristic resistance under tension load

Anchor rod		M6		M8		M10		M12		M16		-		-			
Internal threaded anchor FIS E		-		-		-		-		-		M6	M8	M10	M12		
												11x85		15x85			
$N_{Rk} = N_{Rk,p} = N_{Rk,b}$ [kN] depending on the compressive strength f_b (temperature range 50/80°C)																	
compressive strength f_b	use category		Effective anchorage depth h_{ef} [mm]														
	w/w	w/d	50	100	50	100	50	100	200	50	100	200	50	100	200	85	85
12N/mm ²	w/w	w/d	2,0	3,0	2,5	4,5	2,5	3,5	7,0	2,5	3,0	6,5	2,5	3,5	8,0	2,5	2,5
	d/d	d/d	4,0	5,5	4,0	8,0	4,0	5,5	12	4,0	4,5	12	4,5	5,5	12	4,0	4,0
20N/mm ²	w/w	w/d	3,0	4,5	3,5	6,5	3,5	4,5	10	3,5	4,0	9,5	4,0	5,0	11	3,5	3,5
	d/d	d/d	5,5	7,5	6,0	11	6,0	8,0	12	6,0	6,5	12	6,5	8,0	12	6,0	6,0
28N/mm ²	w/w	w/d	3,5	5,0	4,0	8,0	4,5	5,5	12	4,5	5,0	11	4,5	5,5	12	4,5	4,5
	d/d	d/d	6,5	9,0	7,0	12	7,0	9,0	12	7,0	7,5	12	7,5	9,5	12	7,0	7,0

Factor for temperature range 72/120°C: 0,83

Table C15.2: Characteristic resistance under shear load

Anchor rod		M6		M8		M10		M12		M16		-		-		
Internal threaded anchor FIS E		-		-		-		-		-		M6	M8	M10	M12	
												11x85		15x85		
$V_{Rk} = V_{Rk,b} = V_{Rk,c}$ [kN] depending on the compressive strength f_b (temperature range 50/80°C and 72/120°C)																
compressive strength f_b	use category		Effective anchorage depth h_{ef} [mm]													
	w/w	w/d	50	100	50	100	50	≥100	50	≥100	50	≥100	85	85		
12N/mm ²	w/w	w/d	1,5	3,0	1,5	3,0	1,2	2,0	1,2	2,0	1,2	2,0	1,2	1,2		
	d/d	d/d	1,5	3,0	1,5	3,0	1,2	2,0	1,2	2,0	1,2	2,0	1,2	1,2		
20N/mm ²	w/w	w/d	2,5	4,0	2,5	4,0	1,5	3,0	1,5	3,0	1,5	3,0	1,5	1,5		
	d/d	d/d	2,5	4,0	2,5	4,0	1,5	3,0	1,5	3,0	1,5	3,0	1,5	1,5		
28N/mm ²	w/w	w/d	3,0	4,5	3,0	4,5	1,5	3,5	1,5	3,5	1,5	3,5	1,5	1,5		
	d/d	d/d	3,0	4,5	3,0	4,5	1,5	3,5	1,5	3,5	1,5	3,5	1,5	1,5		

Factor for job site tests and displacements see annex C110

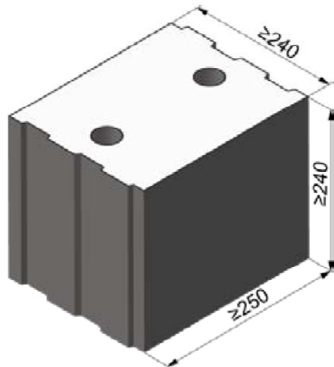
fischer injection system FIS V Plus for masonry

Performance

Solid sand-lime brick KS, NF, Characteristic resistance under tension and shear load

Annex C 15

Solid sand-lime brick KS, 8DF, EN 771-2:2015



Solid sand-lime brick KS, 8DF, EN 771-2:2015			
Producer	-		
Nominal dimensions [mm]	length L	width W	height H
	≥ 250	≥ 240	≥ 240
Density ρ [kg/dm ³]	≥ 2,0		
Compressive strength f_b [N/mm ²]	10 / 20 / 28		
Standard or annex	EN 771-2:2015		

Dimension see also Annex B 15

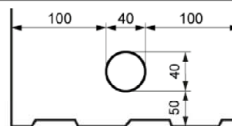


Table C16.1: Installation parameters

Anchor rod		M6	M8	M10	M12	M16	-	-		
Internal threaded anchor FIS E		-	-	-	-	-	M6	M8		
							M10	M12		
							11x85	15x85		
Anchor rod and internal threaded anchor FIS E without perforated sleeve										
Effective anchorage depth	h_{ef} [mm]	50	100	50	100	50	100	50	100	85
Max. installation torque	T_{inst} [Nm]	4	10				4	10		
Anchor rod and internal threaded anchor FIS E with perforated sleeve FIS H 16x85 K										
Effective anchorage depth	h_{ef} [mm]	- ¹⁾		85		- ¹⁾		85		- ¹⁾
Max. installation torque	T_{inst} [Nm]	- ¹⁾		10		- ¹⁾		4	10	- ¹⁾
General installation parameters										
Edge distance	c_{min}					60				
Spacing	$s_{min \parallel}$					80				
	$s_{cr \parallel}$					3x h_{ef}				
	$s_{min \perp}$					80				
	$s_{cr \perp}$					3x h_{ef}				
Drilling method										
Hammer drilling with hard metal hammer drill										
¹⁾ No performance assessed										
Table C16.2: Group factors										
Anchor rods		M6	M8	M10	M12	M16	-	-		
Internal threaded anchor FIS E		-	-	-	-	-	M6	M8		
							M10	M12		
							11x85	15x85		
Group factors	$\alpha_{g,N \parallel}$					1,5				
	$\alpha_{g,V \parallel}$					1,2				
	$\alpha_{g,N \perp}$					1,5				
	$\alpha_{g,V \perp}$					1,2				
fischer injection system FIS V Plus for masonry							Annex C 16			
Performance Solid sand-lime brick KS, 8DF, dimensions, installation parameters										

Solid sand-lime brick KS, 8DF, EN 771-2:2015

Table C17.1: Characteristic resistance under tension load

Anchor rod	M6	M8	M10	M12	M16	-	-	M8	M10	-			
Internal threaded anchor FIS E	-	-	-	-	-	M6	M8	M10	M12	-	-	M6	M8
						11x85		15x85				11x85	
Perforated sleeve FIS H K	-	-	-	-	-	-	-	16x85					
$N_{Rk} = N_{Rk,p} = N_{Rk,b}$ [kN] depending on the compressive strength f_b (temperature range 50/80°C)													
compressive strength f_b	use category	Effective anchorage depth h_{ef} [mm]											
		≥ 50						85					
10N/mm ²	w/w	w/d	3,0	4,0	4,5	4,5	3,5	3,0	3,5	4,5	3,0	4,5	
	d/d		5,0	7,0	7,0	7,0	5,5	5,0	5,5	8,0	5,0	8,0	
20N/mm ²	w/w	w/d	4,5	6,0	6,0	6,0	5,0	4,5	5,0	6,5	4,5	6,5	
	d/d		7,5	10,0	10,0	10,0	7,5	7,5	7,5	11,0	7,5	11	
28N/mm ²	w/w	w/d	5,0	8,0	8,5	8,5	7,0	5,0	7,0	8,5	5,0	8,5	
	d/d		8,5	12,0	12,0	12,0	11,0	8,5	11,0	12,0	8,5	12	

Factor for temperature range 72/120°C: 0,83

Table C17.2: Characteristic resistance under shear load

Anchor rod	M6	M8	M10	M12	M16	-	-	M8	M10	-			
Internal threaded anchor FIS E	-	-	-	-	-	M6	M8	M10	M12	-	-	M6	M8
						11x85		15x85				11x85	
Perforated sleeve FIS H K	-	-	-	-	-	-	-	16x85					
$V_{Rk} = V_{Rk,b} = V_{Rk,c}$ [kN] depending on the compressive strength f_b (temperature range 50/80°C and 72/120°C)													
compressive strength f_b	use category	Effective anchorage depth h_{ef} [mm]											
		≥ 50						85					
10N/mm ²	w/w	w/d	2,5	4,5			2,5	4,5	4,5	2,5	4,5		
	d/d												
20N/mm ²	w/w	w/d	4,0	6,5			4,0	6,5	6,5	4,0	6,5		
	d/d												
28N/mm ²	w/w	w/d	5,0	9,0			5,0	9,0	9,0	5,0	9,0		
	d/d												

Factor for job site tests and displacements see annex C110

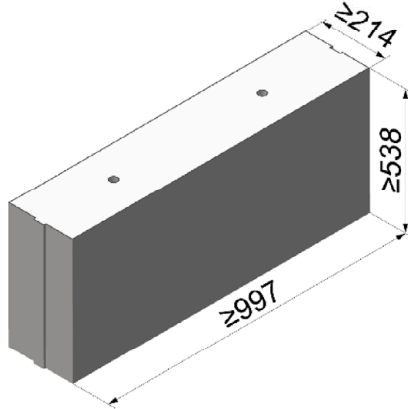
fischer injection system FIS V Plus for masonry

Performance

Solid sand-lime brick KS, 8DF, Characteristic resistance under tension and shear load

Annex C 17

Solid sand-lime brick KS, EN 771-2:2015



Solid sand-lime brick KS, EN 771-2:2015			
Producer	e.g. Calduran		
Nominal dimensions [mm]	length L	width W	height H
	≥ 997	≥ 214	≥ 538
Density ρ [kg/dm ³]	1,8		2,2
Compressive strength f_b [N/mm ²]	10 / 20		36
Standard or annex	EN 771-2:2015		

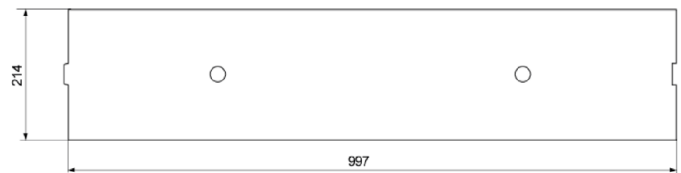


Table C18.1: Installation parameters

Anchor rod	M6	M8	M10	M12	M16	-	-		
Internal threaded anchor FIS E	-	-	-	-	-	M6	M8	M10	M12
			11x85		15x85				
Anchor rod and internal threaded anchor FIS E without perforated sleeve									
Effective anchorage depth h_{ef} [mm]	50	100	50	100	50	100	50	100	85
Max. installation torque T_{inst} [Nm]	4		10				4		10
General installation parameters									
Edge distance c_{min}	75								
Spacing	$s_{cr \parallel} = s_{min \parallel}$ [mm]		3x h_{ef}						
	$s_{cr \perp} = s_{min \perp}$		3x h_{ef}						
Drilling method									
Hammer drilling with hard metal hammer drill									

Table C18.2: Group factors

Anchor rod	M6	M8	M10	M12	M16	-	-		
Internal threaded anchor FIS E	-	-	-	-	-	M6	M8	M10	M12
			11x85		15x85				
Group factors	$\alpha_{g,N \parallel}$		2						
	$\alpha_{g,v \parallel}$								
	$\alpha_{g,N \perp}$								
	$\alpha_{g,v \perp}$								

fischer injection system FIS V Plus for masonry

Performance
Solid sand-lime brick KS, dimensions, installation parameters

Annex C 18

Solid sand-lime brick KS, EN 771-2:2015

Table C19.1: Characteristic resistance under tension load

Anchor rod		M6	M8	M10	M12	M16	-		-				
Internal threaded anchor FIS E		-	-	-	-	-	M6	M8	M10	M12			
								11x85		15x85			
$N_{Rk} = N_{Rk,p} = N_{Rk,b}$ [kN] depending on the compressive strength f_b (temperature range 50/80°C)													
compressive strength f_b	use category		Effective anchorage depth h_{ef} [mm]										
	50	100	50	100	50	100	50	100	50	100	50	100	85
10N/mm ²	w/w	w/d	4,0	4,0	7,0	5,0	6,0	5,0	6,0	5,5	7,5	5,5	
	d/d		7,0	7,0	12,0	8,0	9,5	8,0	10,0	9,0	11,5	9,0	
20N/mm ²	w/w	w/d	5,5	6,0	10,0	7,0	8,5	7,0	9,0	8,0	11,0	8,0	
	d/d		8,5	10,5	12,0	11,5	12,0	11,0	12,0	12,0	12,0	12,0	
36N/mm ²	w/w	w/d	4,5	8,0	12,0	11,5	12,0	12,0	12,0	12,0	12,0	12,0	
	d/d		8,0	12,0	12,0	12,0	12,0	12,0	12,0	12,0	12,0	12,0	

Factor for temperature range 72/120°C: 0,83

Table C19.2: Characteristic resistance under shear load

Anchor rod		M6	M8	M10	M12	M16	-		-				
Internal threaded anchor FIS E		-	-	-	-	-	M6	M8	M10	M12			
								11x85		15x85			
$V_{Rk} = V_{Rk,b} = V_{Rk,c}$ [kN] depending on the compressive strength f_b (temperature range 50/80°C and 72/120°C)													
compressive strength f_b	use category		Effective anchorage depth h_{ef} [mm]										
			≥ 50								85		
10N/mm ²	w/w	w/d	3,0	5,0	5,5	4,0	4,0	3,0	5,0	5,5	4,0	4,0	
	d/d											4,0	
20N/mm ²	w/w	w/d	4,5	7,0	7,5	6,0	6,0	4,5	7,0	7,5	6,0	6,0	
	d/d											6,0	
36N/mm ²	w/w	w/d	4,5	9,0	11,0	12,0	12,0	4,5	9,0	11,0	12,0	12,0	
	d/d											12,0	

Factor for job site tests and displacements see annex C110

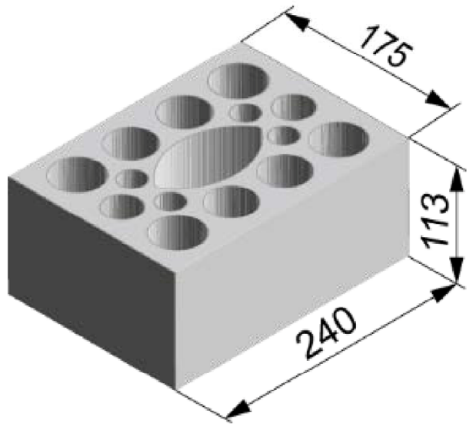
fischer injection system FIS V Plus for masonry

Performance

Solid sand-lime brick KS, Characteristic resistance under tension and shear load

Annex C 19

Perforated sand-lime brick KSL, 3DF, EN 771-2:2015



Perforated sand-lime brick KSL, 3DF, EN 771-2:2015			
Producer	e.g. KS Wemding		
Nominal dimensions [mm]	length L	width W	height H
	240	175	113
Density ρ [kg/dm ³]	≥ 1,4		
Compressive strength f_b [N/mm ²]	8 / 10 / 12 / 16 / 20		
Standard or annex	EN 771-2:2015		

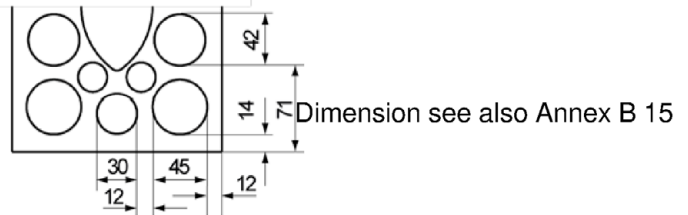


Tabelle C20.1: Installation parameters
(Pre-positioned anchorage with perforated sleeve FIS H K)

Anchor rod	M6	M8	M6	M8	-	M8	M10	M8	M10	-	M12	M16	M12	M16
Internal threaded anchor FIS E	-	-	M6 M8		11x85	-	-	M10 M12		15x85	-	-	-	-
Perforated sleeve FIS H K	12x50		12x85		16x85			16x130		20x85			20x130	
Anchor rod and internal threaded anchor FIS E with perforated sleeve FIS H K														
Max. installation torque	T_{inst}	[Nm]	2											
General installation parameters														
Edge distance	C_{min}		60				80							
Spacing	$S_{min \parallel}$	[mm]	100											
	$S_{cr \parallel}$		240											
	$S_{min \perp}$		115											
	$S_{cr \perp}$		115											
Drilling method														
Hammer drilling with hard metal hammer drill														

Table C20.2: Group factors

Anchor rod	M6	M8	M6	M8	-	M8	M10	M8	M10	-	M12	M16	M12	M16
Internal threaded anchor FIS E	-	-	M6 M8		11x85	-	-	M10 M12		15x85	-	-	-	-
Perforated sleeve FIS H K	12x50		12x85		16x85			16x130		20x85			20x130	
Group factors	$\alpha_{g,N \parallel} = \alpha_{g,V \parallel}$	[-]	1,5											
	$\alpha_{g,N \perp} = \alpha_{g,V \perp}$		2,0											

fischer injection system FIS V Plus for masonry

Performance
Perforated sand-lime brick KSL, 3DF, dimensions, installation parameters

Annex C 20

Perforated sand-lime brick KSL, 3DF, EN 771-2:2015

Table C21.1: Installation parameters
(Push through anchorage with perforated sleeve FIS H K)

Anchor rod		M10	M12	M16
Perforated sleeve FIS H K		18x130/200		22x130/200
Anchor rod with perforated sleeve FIS H K				
Max. installation torque	T_{inst}	[Nm]	2	
General installation parameters				
Edge distance	c_{min}		80	
Spacing	$s_{min \parallel}$	[mm]	100	
	$s_{cr \parallel}$		240	
	$s_{min \perp}$		115	
	$s_{cr \perp}$		115	
Drilling method				
Hammer drilling with hard metal hammer drill				

Table C21.2: Group factors

Anchor rod		M10	M12	M16
Perforated sleeve FIS H K		18x130/200		22x130/200
Group factors	$\alpha_{g,N \parallel}$	[-]	1,5	
	$\alpha_{g,V \parallel}$			
	$\alpha_{g,N \perp}$		2,0	
	$\alpha_{g,V \perp}$			

fischer injection system FIS V Plus for masonry

Performance
Perforated sand-lime brick KSL, 3DF, dimensions, installation parameters

Annex C 21

Perforated sand-lime brick KSL, 3DF, EN 771-2:2015

Table C22.1: Characteristic resistance under tension load (Pre-positioned anchorage)

Anchor rod		M6	M8	M6	M8	-	M8	M10	M8	M10	-	M12	M16	M12	M16
Internal threaded anchor FIS E		-		-		M6	M8	-		-		M10	M12	-	
				11x85						15x85					
Perforated sleeve FIS H K		12x50		12x85		16x85			16x130		20x85			20x130	
$N_{Rk} = N_{Rk,p} = N_{Rk,b}$ [kN] depending on the compressive strength f_b (temperature range 50/80°C)															
compressive strength f_b		use category													
8 N/mm ²	w/w	w/d	1,5		2,0		2,0		2,0		2,0		2,0		
	d/d		1,5		2,0		2,5		2,5		2,5		2,5		
10 N/mm ²	w/w	w/d	2,0		2,0		2,5		2,5		2,5		2,5		
	d/d		2,0		2,5		3,0		3,0		3,0		3,0		
12 N/mm ²	w/w	w/d	2,5		2,5		3,0		3,0		3,0		3,0		
	d/d		2,5		3,0		3,5		3,5		3,5		3,5		
16 N/mm ²	w/w	w/d	3,0		3,5		4,5		4,5		4,5		4,5		
	d/d		3,5		4,0		4,5		4,5		4,5		4,5		
20 N/mm ²	w/w	w/d	4,0		4,5		5,5		5,5		5,5		5,5		
	d/d		4,5		5,0		6,0		6,0		6,0		6,0		

Table C22.2: Characteristic resistance under tension load (Push through anchorage)

Anchor rod		M10		M12		M16	
Perforated sleeve FIS H K		18x130/200				22x130/200	
$N_{Rk} = N_{Rk,p} = N_{Rk,b}$ [kN] depending on the compressive strength f_b (temperature range 50/80°C)							
compressive strength f_b		use category					
8 N/mm ²	w/w	w/d			2,0		
	d/d				2,5		
10 N/mm ²	w/w	w/d			2,5		
	d/d				3,0		
12 N/mm ²	w/w	w/d			3,0		
	d/d				3,5		
16 N/mm ²	w/w	w/d			4,5		
	d/d				4,5		
20 N/mm ²	w/w	w/d			5,5		
	d/d				6,0		

Factor for job site tests and displacements see annex C110

Factor for temperature range 72/120°C: 0,83

fischer injection system FIS V Plus for masonry

Performance
Perforated sand-lime brick KSL, 3DF, Characteristic resistance under tension load

Annex C 22

Perforated sand-lime brick KSL, 3DF, EN 771-2:2015

Table C23.1: Characteristic resistance under shear load (Pre-positioned anchorage)

Anchor rod	M6	M8	M6	M8	-	M8	M10	M8	M10	-	M12	M16	M12	M16
Internal threaded anchor FIS E	-	-			M6	M8				M10	M12			
					11x85					15x85				
Perforated sleeve FIS H K	12x50		12x85		16x85			16x130		20x85			20x130	
$V_{Rk} = V_{Rk,b} = V_{Rk,c}$ [kN] depending on the compressive strength f_b (temperature range 50/80°C and 72/120°C)														
compressive strength f_b	use category													
8 N/mm ²	w/w	w/d	1,5						3,0			2,5	3,0	2,5
	d/d													
10 N/mm ²	w/w	w/d	2,0						3,5					
	d/d													
12 N/mm ²	w/w	w/d	2,5						4,5			4,0	4,5	4,0
	d/d													
16 N/mm ²	w/w	w/d	3,0	3,5	3,0	3,5	3,0	6,0			5,5	6,0	5,5	
	d/d													
20 N/mm ²	w/w	w/d	4,0	4,5	4,0	4,5	4,0	7,5			6,5	7,5	6,5	
	d/d													

Table C23.2: Characteristic resistance under shear load (Push through anchorage)

Anchor rod	M10			M12			M16				
Perforated sleeve FIS H K	18x130/200						22x130/200				
$V_{Rk} = V_{Rk,b} = V_{Rk,c}$ [kN] depending on the compressive strength f_b (temperature range 50/80°C and 72/120°C)											
compressive strength f_b	use category										
8 N/mm ²	w/w	w/d	3,0						2,5		
	d/d										
10 N/mm ²	w/w	w/d	3,5						3,5		
	d/d										
12 N/mm ²	w/w	w/d	4,5						4,0		
	d/d										
16 N/mm ²	w/w	w/d	6,0						5,5		
	d/d										
20 N/mm ²	w/w	w/d	7,5						6,5		
	d/d										

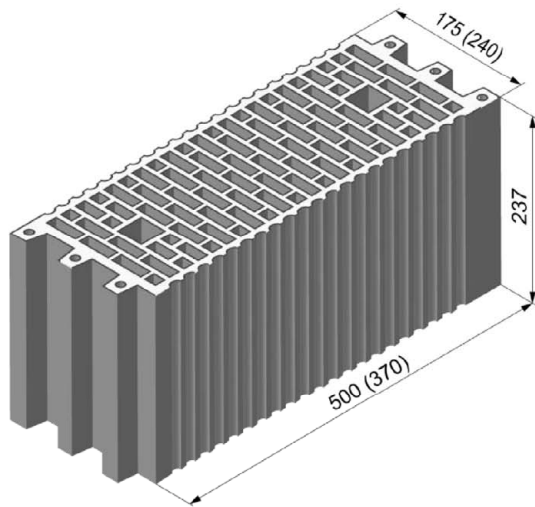
Factor for job site tests and displacements see annex C110

fischer injection system FIS V Plus for masonry

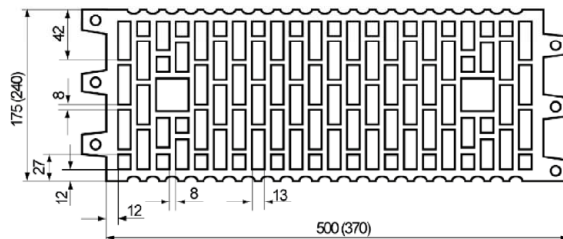
Performance
Perforated sand-lime brick KSL, 3DF, Characteristic resistance under shear load

Annex C 23

Vertical perforated brick HLz, EN 771-1:2015



Vertical perforated brick HLz, EN 771-1:2015			
Producer	e.g. Wienerberger, Poroton		
Nominal dimensions [mm]	length L	width W	height H
	500	175	237
	370	240	237
Density ρ [kg/dm ³]	≥ 1,0		
Compressive strength f_b [N/mm ²]	4 / 6 / 8 / 10 / 12		
Standard or annex	EN 771-1:2015		



Dimension see also Annex B 15

Table C24.1: Installation parameters

Anchor rod	M6	M8	M6	M8	-	M8	M10	M8	M10	-	M12	M16	M12	M16
Internal threaded anchor FIS E	-	-			M6 M8					M10 M12				
Perforated sleeve FIS H K	12x50	12x85	16x85		16x130		20x85		20x130					
Anchor rod and internal threaded anchor FIS E with perforated sleeve FIS H K														
Max. installation torque	T_{inst}	[Nm]	2											
General installation parameters														
Edge distance	C_{min}		100											
Spacing	$S_{min \parallel}$	[mm]	100											
	$S_{cr \parallel}$		500 (370)											
	$S_{min \perp}$		100											
	$S_{cr \perp}$		240											
Drilling method														
Hammer drilling with hard metal hammer drill														

Table C24.2: Group factors

Anchor rod	M6	M8	M6	M8	-	M8	M10	M8	M10	-	M12	M16	M12	M16
Internal threaded anchor FIS E	-	-			M6 M8					M10 M12				
Perforated sleeve FIS H K	12x50	12x85	16x85		16x130		20x85		20x130					
Group factors	$\alpha_{g,N \parallel} = \alpha_{g,V \parallel}$	$\alpha_{g,N \perp} = \alpha_{g,V \perp}$	[-]		1									

fischer injection system FIS V Plus for masonry

Performance
Vertical perforated brick HLz, dimensions, installation parameters

Annex C 24

Vertical perforated brick HLz, EN 771-1:2015

Table C25.1: Characteristic resistance under tension load

Anchor rod		M6	M8	M6	M8	-	M8	M10	M8	M10	-	M12	M16	M12	M16
Internal threaded anchor FIS E		-		-		M6	M8	-		-		M10	M12	-	
				11x85						15x85					
Perforated sleeve FIS H K		12x50		12x85		16x85			16x130		20x85			20x130	
$N_{Rk} = N_{Rk,p} = N_{Rk,b}$ [kN] depending on the compressive strength f_b (temperature range 50/80°C)															
compressive strength f_b		use category													
4 N/mm ²	w/w	w/d	0,3						0,9			1,2			
	d/d		0,4						0,9			1,2			
6 N/mm ²	w/w	w/d	0,5						1,5			2,0			
	d/d		0,6						1,5			2,0			
8 N/mm ²	w/w	w/d	0,75						2,0			2,5			
	d/d		0,75						2,0			2,5			
10 N/mm ²	w/w	w/d	0,9						2,5			3,0			
	d/d		0,9						2,5			3,5			
12 N/mm ²	w/w	w/d	0,9						3,0			3,5			
	d/d		1,2						3,0			4,0			

Factor for temperature range 72/120°C: 0,83

Table C25.2: Characteristic resistance under shear load

Anchor rod		M6	M8	M6	M8	-	M8	M10	M8	M10	-	M12	M16	M12	M16
Internal threaded anchor FIS E		-		-		M6	M8	-		-		M10	M12	-	
				11x85						15x85					
Perforated sleeve FIS H K		12x50		12x85		16x85			16x130		20x85			20x130	
$V_{Rk} = V_{Rk,b} = V_{Rk,c}$ [kN] depending on the compressive strength f_b (temperature range 50/80°C and 72/120°C)															
compressive strength f_b		use category													
4 N/mm ²	w/w	w/d	0,5			0,6			0,5			0,6			
	d/d		0,5			0,6			0,5			0,6			
6 N/mm ²	w/w	w/d	0,75			0,9			0,75			0,9			
	d/d		0,75			0,9			0,75			0,9			
8 N/mm ²	w/w	w/d	0,9			1,2			0,9			1,2			
	d/d		0,9			1,2			0,9			1,2			
10 N/mm ²	w/w	w/d	1,2			1,5			1,2			1,5			
	d/d		1,2			1,5			1,2			1,5			
12 N/mm ²	w/w	w/d	1,5			2,0			1,5			2,0			
	d/d		1,5			2,0			1,5			2,0			

Factor for job site tests and displacements see annex C110

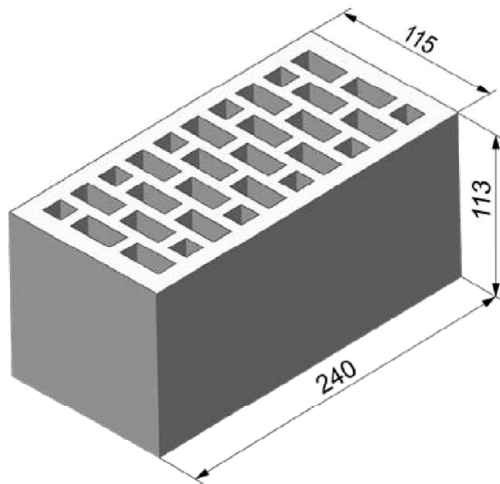
fischer injection system FIS V Plus for masonry

Performance

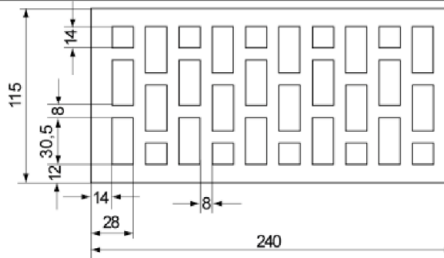
Vertical perforated brick HLz, Characteristic resistance under tension and shear load

Annex C 25

Vertical perforated brick HLz, 2DF, EN 771-1:2015



Vertical perforated brick HLz, 2DF, EN 771-1:2015			
Producer	e.g. Wienerberger		
Nominal dimensions [mm]	length L	width W	height H
	240	115	113
Density ρ [kg/dm ³]	$\geq 1,4$		
Compressive strength f_b [N/mm ²]	6 / 10 / 16 / 20 / 28		
Standard or annex	EN 771-1:2015		



Dimension see also Annex B 15

Table C26.1: Installation parameters

Anchor rod	M6	M8	M6	M8	-	M8	M10	-	M12	M16
Internal threaded anchor FIS E	-		-		M6	M8	-		M10	M12
	-		-		11x85		-		15x85	
Perforated sleeve FIS H K	12x50		12x85		16x85			20x85		
Anchor rod and internal threaded anchor FIS E with perforated sleeve FIS H K										
Max. installation torque T_{inst} [Nm]	2									
General installation parameters										
Edge distance C_{min}	80									
Spacing S_{cr}	240									
	115									
Drilling method										
Hammer drilling with hard metal hammer drill										

Table C26.2: Group factors

Anchor rod	M6	M8	M6	M8	-	M8	M10	-	M12	M16
Internal threaded anchor FIS E	-		-		M6	M8	-		M10	M12
	-		-		11x85		-		15x85	
Perforated sleeve FIS H K	12x50		12x85		16x85			20x85		
Group factors	$\alpha_{g,N} \parallel$	[-]	2							
	$\alpha_{g,v} \parallel$									
	$\alpha_{g,N} \perp$									
	$\alpha_{g,v} \perp$									

fischer injection system FIS V Plus for masonry

Performance

Vertical perforated brick HLz, 2DF, dimensions, installation parameters

Annex C 26

Vertical perforated brick HLz, 2DF, EN 771-1:2015

Table C27.1: Characteristic resistance under tension load

Anchor rod	M6	M8	M6	M8	-	M8	M10	-	M12	M16	
Internal threaded anchor FIS E	-		-		M6	M8	-		M10	M12	-
					11x85				15x85		
Perforated sleeve FIS H K	12x50		12x85		16x85			20x85			
$N_{Rk} = N_{Rk,p} = N_{Rk,b}$ [kN] depending on the compressive strength f_b (temperature range 50/80°C)											
compressive strength f_b	use category										
6 N/mm ²	w/w	w/d	0,75	0,9	0,75			0,9			
	d/d		0,75	1,2	0,75			0,9			
10 N/mm ²	w/w	w/d	1,2	1,5	1,2			1,5			
	d/d		1,2	2,0	1,2			1,5			
16 N/mm ²	w/w	w/d	2,0	2,5	2,0			2,0			
	d/d		2,0	3,0	2,0			2,5			
20 N/mm ²	w/w	w/d	2,5	3,5	2,5			3,0			
	d/d		2,5	4,0	2,5			3,0			
28 N/mm ²	w/w	w/d	3,0	5,0	3,5			4,0			
	d/d		3,5	5,5	3,5			4,5			

Factor for temperature range 72/120°C: 0,83

Table C27.2: Characteristic resistance under shear load

Anchor rod	M6	M8	M6	M8	-	M8	M10	-	M12	M16	
Internal threaded anchor FIS E	-		-		M6	M8	-		M10	M12	-
					11x85				15x85		
Perforated sleeve FIS H K	12x50		12x85		16x85			20x85			
$V_{Rk} = V_{Rk,b} = V_{Rk,c}$ [kN] depending on the compressive strength f_b (temperature range 50/80°C and 72/120°C)											
compressive strength f_b	use category										
6 N/mm ²	w/w	w/d	1,2	1,5	1,2	2,0	1,2	1,5	2,5		
	d/d		1,2	1,5	1,2	2,0	1,2	1,5	2,5		
10 N/mm ²	w/w	w/d	2,0	2,5	2,0	4,0	2,0	2,5	4,5		
	d/d		2,0	2,5	2,0	4,0	2,0	2,5	4,5		
16 N/mm ²	w/w	w/d	3,0	3,5	3,0	6,0	3,0	3,5	7,0		
	d/d		3,0	3,5	3,0	6,0	3,0	3,5	7,0		
20 N/mm ²	w/w	w/d	4,0	4,5	4,0	7,5	4,0	4,5	8,5		
	d/d		4,0	4,5	4,0	7,5	4,0	4,5	8,5		
28 N/mm ²	w/w	w/d	5,0	6,5	5,0	9,5	5,0	6,5	12,0		
	d/d		5,0	6,5	5,0	9,5	5,0	6,5	12,0		

Factor for job site tests and displacements see annex C110

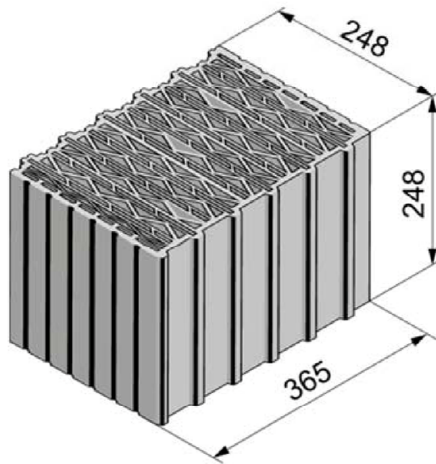
fischer injection system FIS V Plus for masonry

Performance

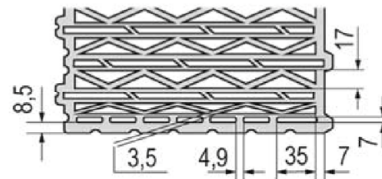
Vertical perforated brick HLz, 2DF,
Characteristic resistance under tension and shear load

Annex C 27

Vertical perforated brick HLz, T8, EN 771-1:2015



Vertical perforated brick HLz, T8, EN 771-1:2015			
Producer	-		
Nominal dimensions [mm]	length L	width W	height H
	248	365	248
Density ρ [kg/dm ³]	0,6		
Compressive strength f_b [N/mm ²]	4 / 6 / 8		
Standard or annex	EN 771-1:2015		



Dimension see also Annex B 15

Table C28.1: Installation parameters
(Pre-positioned anchorage with perforated sleeve FIS H K)

Anchor rod	M6	M8	M6	M8	-	M8	M10	M8	M10	-	M12	M16	M12	M16	M12	M16	
Internal threaded anchor FIS E	-	-	-	-	M6	M8	-	-	M10	M12	-	-	-	-	-	-	
					11x85				15x85								
Perforated sleeve FIS H K	12x50		12x85		16x85			16x130		20x85			20x130		20x200		
Anchor rod and internal threaded anchor FIS E with perforated sleeve FIS H K																	
Max. installation torque	T_{inst}	[Nm]	3	5	3	5	3	5			5						
General installation parameters																	
Edge distance	c_{min}										60						
Spacing	$s_{min \parallel}$	[mm]									80						
	$s_{cr \parallel}$										250						
	$s_{min \perp}$										80						
	$s_{cr \perp}$										250						
Drilling method																	
Rotary drilling with carbide drill																	

Table C28.2: Group factors

Anchor rod	M6	M8	M6	M8	-	M8	M10	M8	M10	-	M12	M16	M12	M16	M12	M16	
Internal threaded anchor FIS E	-	-	-	-	M6	M8	-	-	M10	M12	-	-	-	-	-	-	
					11x85				15x85								
Perforated sleeve FIS H K	12x50		12x85		16x85			16x130		20x85			20x130		20x200		
Group factors	$\alpha_{g,N \parallel}$	[-]									1,3						
	$\alpha_{g,V \parallel}$										1,2						
	$\alpha_{g,N \perp}$											1,3					
	$\alpha_{g,V \perp}$											1,0					

fischer injection system FIS V Plus for masonry

Performance
Vertical perforated brick HLz, T8, dimensions, installation parameters

Annex C 28

Vertical perforated brick HLz, T8, EN 771-1:2015

Table C29.1: Installation parameters
(Push through anchorage with perforated sleeve FIS H K)

Anchor rod		M10	M12	M16
Perforated sleeve FIS H K		18x130/200		22x130/200
Anchor rod with perforated sleeve FIS H K				
Max. installation torque	T_{inst}	[Nm]	5	
General installation parameters				
Edge distance	c_{min}		60	
Spacing	$s_{min \parallel}$	[mm]	80	
	$s_{cr \parallel}$		250	
	$s_{min \perp}$		80	
	$s_{cr \perp}$		250	
Drilling method				
Rotary drilling with carbide drill				

Table C29.2: Group factors

Anchor rod		M10	M12	M16
Perforated sleeve FIS H K		18x130/200		22x130/200
Group factors	$\alpha_{g,N \parallel}$	[-]	1,3	
	$\alpha_{g,V \parallel}$		1,2	
	$\alpha_{g,N \perp}$		1,3	
	$\alpha_{g,V \perp}$		1,0	

fischer injection system FIS V Plus for masonry

Performance
Vertical perforated brick HLz, T8, dimensions, installation parameters

Annex C 29

Vertical perforated brick HLz, T8, EN 771-1:2015

Table C30.1: Characteristic resistance under tension load (Pre-positioned anchorage)

Anchor rod	M6	M8	M6	M8	-	M8	M10	M8	M10	-	M12	M16	M12	M16	M12	M16		
Internal threaded anchor FIS E	-	-	-	-	M6	M8	-	-	M10	M12	-	-	-	-	-	-		
Perforated sleeve FIS H K	12x50		12x85		16x85			16x130		20x85			20x130		20x200			
$N_{Rk} = N_{Rk,p} = N_{Rk,b}$ [kN] depending on the compressive strength f_b (temperature range 50/80°C)																		
compressive strength f_b	use category																	
4 N/mm ²	w/w	w/d	1,2														1,2	
	d/d		1,2														1,5	
6 N/mm ²	w/w	w/d	1,5														1,5	
	d/d		1,5														1,5	
8 N/mm ²	w/w	w/d	1,5														2,0	
	d/d		2,0														2,0	

Table C30.2: Characteristic resistance under tension load (Push through anchorage)

Anchor rod	M10		M12		M16			
Perforated sleeve FIS H K	18x130/200				22x130/200			
$N_{Rk} = N_{Rk,p} = N_{Rk,b}$ [kN] depending on the compressive strength f_b (temperature range 50/80°C)								
compressive strength f_b	use category							
4 N/mm ²	w/w	w/d					1,2	
	d/d						1,5	
6 N/mm ²	w/w	w/d					1,5	
	d/d						1,5	
8 N/mm ²	w/w	w/d					2,0	
	d/d						2,0	

Factor for job site tests and displacements see annex C110

Factor for temperature range 72/120°C: 0,83

fischer injection system FIS V Plus for masonry

Performance

Vertical perforated brick HLz, T8, Characteristic resistance under tension load

Annex C 30

Vertical perforated brick HLz, T8, EN 771-1:2015

Table C31.1: Characteristic resistance under shear load (Pre-positioned anchorage)

Anchor rod	M6	M8	M6	M8	-	M8	M10	M8	M10	-	M12	M16	M12	M16	M12	M16
Internal threaded anchor FIS E	-	-	-	-	M6	M8	-	-	M10	M12	-	-	-	-	-	-
Perforated sleeve FIS H K	12x50		12x85		16x85			16x130		20x85			20x130		20x200	

$V_{Rk} = V_{Rk,b} = V_{Rk,c}$ [kN] depending on the compressive strength f_b (temperature range 50/80°C and 72/120°C)

compressive strength f_b	use category		
		w/w	
4 N/mm ²	d/d		1,2
		w/w	
6 N/mm ²	d/d		1,5
		w/w	
8 N/mm ²	d/d		1,5
		w/w	

Table C31.2: Characteristic resistance under shear load (Push through anchorage)

Anchor rod	M10	M12	M16
Perforated sleeve FIS H K	18x130/200		22x130/200

$V_{Rk} = V_{Rk,b} = V_{Rk,c}$ [kN] depending on the compressive strength f_b (temperature range 50/80°C and 72/120°C)

compressive strength f_b	use category		
		w/w	
4 N/mm ²	d/d		1,2
		w/w	
6 N/mm ²	d/d		1,5
		w/w	
8 N/mm ²	d/d		1,5
		w/w	

Factor for job site tests and displacements see annex C108

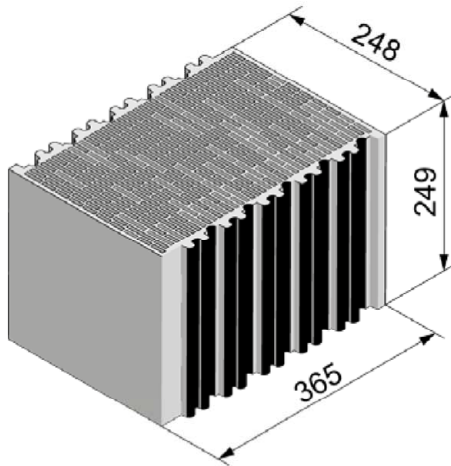
fischer injection system FIS V Plus for masonry

Performance

Vertical perforated brick HLz, T8, Characteristic resistance under shear load

Annex C 31

Vertical perforated brick HLz, T10, T11, EN 771-1:2015



Vertical perforated brick HLz, T10, T11, EN 771-1:2015			
Producer	-		
Nominal dimensions [mm]	length L	width W	height H
	248	365	249
Density ρ [kg/dm ³]	0,7		
Compressive strength f_b [N/mm ²]	8 / 10 / 12		
Standard or annex	EN 771-1:2015		

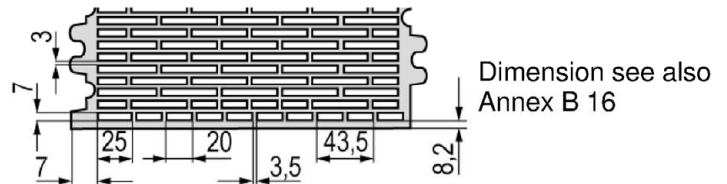


Table C32.1: Installation parameters
(Pre-positioned anchorage with perforated sleeve FIS H K)

Anchor rod		M6	M8	M6	M8	-	M8	M10	M8	M10	-	M12	M16	M12	M16	M12	M16	
Internal threaded anchor FIS E		-	-	-	-	M6	M8	-	-	-	M10	M12	-	-	-	-	-	
				11x85						15x85								
Perforated sleeve FIS H K		12x50		12x85		16x85		16x130		20x85		20x130		20x200				
Anchor rod and internal threaded anchor FIS E with perforated sleeve FIS H K																		
Max. installation torque	T_{inst} [Nm]	3					5		3		5							
General installation parameters																		
Edge distance	c_{min}											60						
Spacing	$s_{min \parallel}$											80						
	$s_{cr \parallel}$											250						
	$s_{min \perp}$											80						
	$s_{cr \perp}$											250						
Drilling method																		
Rotary drilling with carbide drill																		

Table C32.2: Group factors

Anchor rod		M6	M8	M6	M8	-	M8	M10	M8	M10	-	M12	M16	M12	M16	M12	M16	
Internal threaded anchor FIS E		-	-	-	-	M6	M8	-	-	-	M10	M12	-	-	-	-	-	
				11x85						15x85								
Perforated sleeve FIS H K		12x50		12x85		16x85		16x130		20x85		20x130		20x200				
Group factors	$\alpha_{g,N \parallel}$											1,7						
	$\alpha_{g,V \parallel}$											0,5						
	$\alpha_{g,N \perp}$											1,3						
	$\alpha_{g,V \perp}$											0,5						

fischer injection system FIS V Plus for masonry

Performance
Vertical perforated brick HLz, T10, T11, dimensions, installation parameters

Annex C 32

Vertical perforated brick HLz, T10, T11, EN 771-1:2015

Table C33.1: Installation parameters
(Push through anchorage with perforated sleeve FIS H K)

Anchor rod		M10	M12	M16
Perforated sleeve FIS H K		18x130/200		22x130/200
Anchor rod with perforated sleeve FIS H K				
Max. installation torque	T_{inst}	[Nm]	5	
General installation parameters				
Edge distance	c_{min}		60	
Spacing	$s_{min \parallel}$	[mm]	80	
	$s_{cr \parallel}$		250	
	$s_{min \perp}$		80	
	$s_{cr \perp}$		250	
Drilling method				
Rotary drilling with carbide drill				

Table C33.2: Group factors

Anchor rod		M10	M12	M16
Perforated sleeve FIS H K		18x130/200		22x130/200
Group factors	$\alpha_{g,N \parallel}$	[-]	1,7	
	$\alpha_{g,V \parallel}$		0,5	
	$\alpha_{g,N \perp}$		1,3	
	$\alpha_{g,V \perp}$		0,5	

fischer injection system FIS V Plus for masonry

Performance
Vertical perforated brick HLz, T10, T11, dimensions, installation parameters

Annex C 33

Vertical perforated brick HLz, T10, T11, EN 771-1:2015

Table C34.1: Characteristic resistance under tension load (Pre-positioned anchorage)

Anchor rod	M6	M8	M6	M8	-	M8	M10	M8	M10	-	M12	M16	M12	M16	M12	M16
Internal threaded anchor FIS E	-	-	-	-	M6	M8	-	-	-	M10	M12	-	-	-	-	-
Perforated sleeve FIS H K	12x50		12x85		16x85			16x130		20x85			20x130		20x200	

$N_{Rk} = N_{Rk,p} = N_{Rk,b}$ [kN] depending on the compressive strength f_b (temperature range 50/80°C)

compressive strength f_b	use category																	
		w/w	w/d															
8 N/mm ²	w/w	w/d	1,5													1,5		
		d/d	1,5													2,0		
10 N/mm ²	w/w	w/d	1,5													2,0		
		d/d	2,0													2,0		
12 N/mm ²	w/w	w/d	2,0													2,0		
		d/d	2,0													2,5		

Table C34.2: Characteristic resistance under tension load (Push through anchorage)

Anchor rod	M10	M12	M16
Perforated sleeve FIS H K	18x130/200		22x130/200

$N_{Rk} = N_{Rk,p} = N_{Rk,b}$ [kN] depending on the compressive strength f_b (temperature range 50/80°C)

compressive strength f_b	use category											
		w/w	w/d									
8 N/mm ²	w/w	w/d	1,5					1,5				
		d/d	2,0					2,0				
10 N/mm ²	w/w	w/d	2,0					2,0				
		d/d	2,0					2,0				
12 N/mm ²	w/w	w/d	2,0					2,0				
		d/d	2,5					2,5				

Factor for job site tests and displacements see annex C110

Factor for temperature range 72/120°C: 0,83

fischer injection system FIS V Plus for masonry

Performance

Vertical perforated brick HLz, T10, T11, Characteristic resistance under tension load

Annex C 34

Vertical perforated brick HLz, T10, T11, EN 771-1:2015

Table C35.1: Characteristic resistance under shear load (Pre-positioned anchorage)

Anchor rod	M6	M8	M6	M8	-	M8	M10	M8	M10	-	M12	M16	M12	M16	M12	M16
Internal threaded anchor FIS E	-	-	-	-	M6	M8	-	-	M10	M12	-	-	-	-	-	-
					11x85				15x85							
Perforated sleeve FIS H K	12x50		12x85		16x85			16x130		20x85			20x130		20x200	

$V_{Rk} = V_{Rk,b} = V_{Rk,c}$ [kN] depending on the compressive strength f_b (temperature range 50/80°C and 72/120°C)

compressive strength f_b	use category				
	w/w	w/d			
8 N/mm ²	w/w	w/d	0,9	1,5	2,0
	d/d				
10 N/mm ²	w/w	w/d	0,9	1,5	2,0
	d/d				
12 N/mm ²	w/w	w/d	1,2	2,0	2,0
	d/d				

Table C35.2: Characteristic resistance under shear load (Push through anchorage)

Anchor rod	M10	M12	M16
Perforated sleeve FIS H K	18x130/200		22x130/200

$V_{Rk} = V_{Rk,b} = V_{Rk,c}$ [kN] depending on the compressive strength f_b (temperature range 50/80°C and 72/120°C)

compressive strength f_b	use category			
	w/w	w/d		
8 N/mm ²	w/w	w/d	1,5	2,0
	d/d			
10 N/mm ²	w/w	w/d	1,5	2,0
	d/d			
12 N/mm ²	w/w	w/d	2,0	2,0
	d/d			

Factor for job site tests and displacements see annex C110

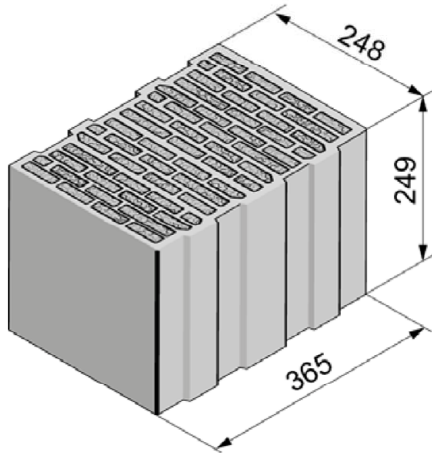
fischer injection system FIS V Plus for masonry

Performance

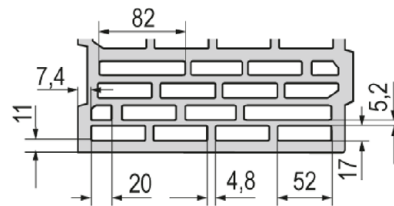
Vertical perforated brick HLz, T10, T11, Characteristic resistance under shear load

Annex C 35

Vertical perforated brick HLz, T7 PF, filled with perlite, EN 771-1:2015



Vertical perforated brick HLz, T7 PF, filled with perlite, EN 771-1:2015			
Producer	-		
Nominal dimensions [mm]	length L	width W	height H
	248	365	249
Density ρ [kg/dm ³]	0,5		
Compressive strength f_b [N/mm ²]	4 / 6		
Standard or annex	EN 771-1:2015		



Dimension see also Annex B 16

Table C36.1: Installation parameters
(Pre-positioned anchorage with perforated sleeve FIS H K)

Anchor rod	M6	M8	M6	M8	-	M8	M10	M8	M10	-	M12	M16	M12	M16	M12	M16
Internal threaded anchor FIS E	-	-	-	-	M6	M8	-	-	M10	M12	-	-	-	-	-	-
					11x85				15x85							
Perforated sleeve FIS H K	12x50		12x85		16x85			16x130			20x85		20x130		20x200	

Ankerstangen und Innengewindeanker FIS E mit Injektionsanker-Hülse FIS H K

Max. installation torque	T_{inst} [Nm]	2			5	2	5				
--------------------------	-----------------	---	--	--	---	---	---	--	--	--	--

General installation parameters

Edge distance	c_{min}	60				
Spacing	$s_{min \parallel}$	80				
	$s_{cr \parallel}$ [mm]	250				
	$s_{min \perp}$	80				
	$s_{cr \perp}$	250				

Drilling method

Rotary drilling with carbide drill

Table C36.2: Group factors

Anchor rod	M6	M8	M6	M8	-	M8	M10	M8	M10	-	M12	M16	M12	M16	M12	M16
Internal threaded anchor FIS E	-	-	-	-	M6	M8	-	-	M10	M12	-	-	-	-	-	-
					11x85				15x85							
Perforated sleeve FIS H K	12x50		12x85		16x85			16x130			20x85		20x130		20x200	

Group factors	$\alpha_{g,N \parallel}$	[-]	1,1				
	$\alpha_{g,v \parallel}$		1,2				
	$\alpha_{g,N \perp}$		1,1				
	$\alpha_{g,v \perp}$		1,2				

fischer injection system FIS V Plus for masonry

Performance

Vertical perforated brick HLz, T7 PF, filled with perlite, dimensions, installation parameters

Annex C 36

Vertical perforated brick HLz, T7 PF, filled with perlite, EN 771-1:2015			
Table C37.1: Installation parameters (Push through anchorage with perforated sleeve FIS H K)			
Anchor rod		M10	M12
Perforated sleeve FIS H K		18x130/200	
			M16
		22x130/200	
Anchor rod with perforated sleeve FIS H K			
Max. installation torque	T_{inst}	[Nm]	5
General installation parameters			
Edge distance	c_{min}		60
	$s_{min \parallel}$		80
Spacing	$s_{cr \parallel}$	[mm]	250
	$s_{min \perp}$		80
	$s_{cr \perp}$		250
Drilling method			
Rotary drilling with carbide drill			
Table C37.2: Group factors			
Anchor rod		M10	M12
Perforated sleeve FIS H K		18x130/200	
			M16
		22x130/200	
Group factors	$\alpha_{g,N \parallel}$	[-]	1,1
	$\alpha_{g,V \parallel}$		1,2
	$\alpha_{g,N \perp}$		1,1
	$\alpha_{g,V \perp}$		1,2
fischer injection system FIS V Plus for masonry		Annex C 37	
Performance Vertical perforated brick HLz, T7 PF, filled with perlite, dimensions, installation parameters			

Vertical perforated brick HLz, T7 PF, filled with perlite, EN 771-1:2015

Table C38.1: Characteristic resistance under tension load (Pre-positioned anchorage)

Anchor rod	M6	M8	M6	M8	-	M8	M10	M8	M10	-	M12	M16	M12	M16	M12	M16
Internal threaded anchor FIS E	-	-	-	-	M6	M8	-	-	M10	M12	-	-	-	-	-	-
Perforated sleeve FIS H K	12x50		12x85		16x85			16x130		20x85			20x130		20x200	
$N_{Rk} = N_{Rk,p} = N_{Rk,b}$ [kN] depending on the compressive strength f_b (temperature range 50/80°C)																
compressive strength f_b	use category															
4 N/mm ²	w/w	w/d	1,2				1,2		1,2			1,2		2,0		
	d/d		1,5				1,5		1,5			1,5		2,0		
6 N/mm ²	w/w	w/d	1,5				1,5		1,5			1,5		2,5		
	d/d		1,5				2,0		1,5			2,0		3,0		

Table C38.2: Characteristic resistance under tension load (Push through anchorage)

Anchor rod	M10		M12		M16	
Perforated sleeve FIS H K	18x130/200				22x130/200	
$N_{Rk} = N_{Rk,p} = N_{Rk,b}$ [kN] depending on the compressive strength f_b (temperature range 50/80°C)						
compressive strength f_b	use category					
4 N/mm ²	w/w	w/d	1,2		1,2	
	d/d		1,5		1,5	
6 N/mm ²	w/w	w/d	1,5		1,5	
	d/d		2,0		2,0	

Factor for job site tests and displacements see annex C110

Factor for temperature range 72/120°C: 0,83

fischer injection system FIS V Plus for masonry

Performance

Vertical perforated brick HLz, T7 PF, filled with perlite,
Characteristic resistance under tension load

Annex C 38

Vertical perforated brick HLz, T7 PF, filled with perlite, EN 771-1:2015

Table C39.1: Characteristic resistance under shear load (Pre-positioned anchorage)

Anchor rod	M6	M8	M6	M8	-	M8	M10	M8	M10	-	M12	M16	M12	M16	M12	M16
Internal threaded anchor FIS E	-		-		M6	M8	-		-		M10	M12	-		-	
					11x85						15x85					
Perforated sleeve FIS H K	12x50		12x85		16x85			16x130		20x85			20x130		20x200	

$V_{Rk} = V_{Rk,b} = V_{Rk,c}$ [kN] depending on the compressive strength f_b (temperature range 50/80°C and 72/120°C)

compressive strength f_b	use category					
	4 N/mm ²	w/w	w/d	0,9	1,5	
d/d						
6 N/mm ²	w/w	w/d	1,2	2,0		1,5
	d/d					

Table C39.2: Characteristic resistance under shear load (Push through anchorage)

Anchor rod	M10	M12	M16
Perforated sleeve FIS H K	18x130/200		22x130/200

$V_{Rk} = V_{Rk,b} = V_{Rk,c}$ [kN] depending on the compressive strength f_b (temperature range 50/80°C and 72/120°C)

compressive strength f_b	use category			
	4 N/mm ²	w/w	w/d	1,5
d/d				
6 N/mm ²	w/w	w/d	2,0	1,5
	d/d			

Factor for job site tests and displacements see annex C110

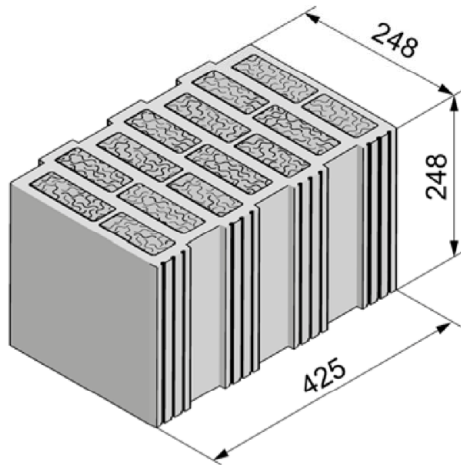
fischer injection system FIS V Plus for masonry

Performance

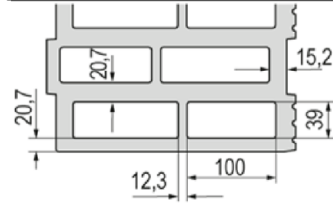
Vertical perforated brick HLz, T7 PF, filled with perlite,
Characteristic resistance under shear load

Annex C 39

Vertical perforated brick HLz, S9 MW, filled with mineral wool, EN 771-1:2015



Vertical perforated brick HLz, S9 MW, filled with mineral wool, EN 771-1:2015			
Producer	-		
Nominal dimensions [mm]	length L	width W	height H
	248	425	248
Density ρ [kg/dm ³]	0,8		
Compressive strength f_b [N/mm ²]	4 / 6 / 8		
Standard or annex	EN 771-1:2015		



Dimension see also Annex B 16

Table C40.1: Installation parameters
(Pre-positioned anchorage with perforated sleeve FIS H K)

Anchor rod		M6	M8	M6	M8	-	M8	M10	M8	M10	-	M12	M16	M12	M16	M12	M16
Internal threaded anchor FIS E		-	-	M6 M8		11x85	-	-	M10 M12		15x85	-	-	-	-	-	-
Perforated sleeve FIS H K		12x50		12x85		16x85		16x130		20x85		20x130		20x200			
Anchor rod and internal threaded anchor FIS E with perforated sleeve FIS H K																	
Max. installation torque	T_{inst} [Nm]	3			5		3		5								
General installation parameters																	
Edge distance	c_{min}							60									
Spacing	$s_{min \parallel}$							80									
	$s_{cr \parallel}$							250									
	$s_{min \perp}$							80									
	$s_{cr \perp}$							250									
Drilling method																	
Rotary drilling with carbide drill																	

Table C40.2: Group factors

Anchor rod		M6	M8	M6	M8	-	M8	M10	M8	M10	-	M12	M16	M12	M16	M12	M16
Internal threaded anchor FIS E		-	-	M6 M8		11x85	-	-	M10 M12		15x85	-	-	-	-	-	-
Perforated sleeve FIS H K		12x50		12x85		16x85		16x130		20x85		20x130		20x200			
Group factors	$\alpha_{g,N \parallel}$							1,3									
	$\alpha_{g,V \parallel}$							1,2									
	$\alpha_{g,N \perp}$							0,6									
	$\alpha_{g,V \perp}$							1,2									

fischer injection system FIS V Plus for masonry

Performance
Vertical perforated brick HLz, S9 MW, filled with mineral wool, dimensions, installation parameters

Annex C 40

Vertical perforated brick HLz, S9 MW, filled with mineral wool, EN 771-1:2015

Table C41.1: Installation parameters
(Push through anchorage with perforated sleeve FIS H K)

Anchor rod		M10	M12	M16
Perforated sleeve FIS H K		18x130/200		22x130/200
Anchor rod with perforated sleeve FIS H K				
Max. installation torque	T_{inst}	[Nm]	5	
General installation parameters				
Edge distance	c_{min}		60	
Spacing	$s_{min} \parallel$	[mm]	80	
	$s_{cr} \parallel$		250	
	$s_{min} \perp$		80	
	$s_{cr} \perp$		250	
Drilling method				
Rotary drilling with carbide drill				

Table C41.2: Group factors

Anchor rod		M10	M12	M16
Perforated sleeve FIS H K		18x130/200		22x130/200
Group factors	$\alpha_{g,N} \parallel$	[-]	1,3	
	$\alpha_{g,V} \parallel$		1,2	
	$\alpha_{g,N} \perp$		0,6	
	$\alpha_{g,V} \perp$		1,2	

fischer injection system FIS V Plus for masonry

Performance

Vertical perforated brick HLz, S9 MW, filled with mineral wool, dimensions, installation parameters

Annex C 41

Vertical perforated brick HLz, S9 MW, filled with mineral wool, EN 771-1:2015

Table C42.1: Characteristic resistance under tension load (Pre-positioned anchorage)

Anchor rod	M6	M8	M6	M8	-	M8	M10	M8	M10	-	M12	M16	M12	M16	M12	M16
Internal threaded anchor FIS E	-		-		M6	M8	-		-		M10	M12	-		-	
					11x85						15x85					
Perforated sleeve FIS H K	12x50		12x85		16x85			16x130		20x85			20x130		20x200	
$N_{Rk} = N_{Rk,p} = N_{Rk,b}$ [kN] depending on the compressive strength f_b (temperature range 50/80°C)																
compressive strength f_b	use category															
4 N/mm ²	w/w	w/d	1,5		2,0			3,0		2,5			4,0			
	d/d		2,0		2,5			3,0		2,5			4,5			
6 N/mm ²	w/w	w/d	2,0		2,5			3,5		3,0			5,0			
	d/d		2,0		3,0			4,0		3,0			5,5			
8 N/mm ²	w/w	w/d	2,5		3,0			4,0		3,5			6,0			
	d/d		2,5		3,0			4,5		3,5			6,5			

Table C42.2: Characteristic resistance under tension load (Push through anchorage)

Anchor rod	M10		M12		M16	
Perforated sleeve FIS H K	18x130/200				22x130/200	
$N_{Rk} = N_{Rk,p} = N_{Rk,b}$ [kN] depending on the compressive strength f_b (temperature range 50/80°C)						
compressive strength f_b	use category					
4 N/mm ²	w/w	w/d	3,0		4,0	
	d/d		3,0		4,5	
6 N/mm ²	w/w	w/d	3,5		5,0	
	d/d		4,0		5,5	
8 N/mm ²	w/w	w/d	4,0		6,0	
	d/d		4,5		6,5	

Factor for job site tests and displacements see annex C110

Factor for temperature range 72/120°C: 0,83

fischer injection system FIS V Plus for masonry

Performance

Vertical perforated brick HLz, S9 MW, filled with mineral wool;
Characteristic resistance under tension load

Annex C 42

Vertical perforated brick HLz, S9 MW, filled with mineral wool, EN 771-1:2015

Table C43.1: Characteristic resistance under shear load (Pre-positioned anchorage)

Anchor rod	M6	M8	M6	M8	-	M8	M10	M8	M10	-	M12	M16	M12	M16	M12	M16
Internal threaded anchor FIS E	-	-	-	-	M6	M8	-	-	M10	M12	-	-	-	-	-	-
Perforated sleeve FIS H K	12x50		12x85		16x85			16x130		20x85			20x130		20x200	

$V_{Rk} = V_{Rk,b} = V_{Rk,c}$ [kN] depending on the compressive strength f_b (temperature range 50/80°C and 72/120°C)

compressive strength f_b	use category							
	4 N/mm ²	w/w	w/d	2,0	2,0		2,5	2,0
d/d								
6 N/mm ²	w/w	w/d	2,5	2,5		3,0	2,5	2,0
	d/d							
8 N/mm ²	w/w	w/d	2,5	3,0		4,0	3,0	2,5
	d/d							

Table C43.2: Characteristic resistance under shear load (Push through anchorage)

Anchor rod	M10	M12	M16
Perforated sleeve FIS H K	18x130/200		22x130/200

$V_{Rk} = V_{Rk,b} = V_{Rk,c}$ [kN] depending on the compressive strength f_b (temperature range 50/80°C and 72/120°C)

compressive strength f_b	use category			
	4 N/mm ²	w/w	w/d	2,5
d/d				
6 N/mm ²	w/w	w/d	3,0	2,5
	d/d			
8 N/mm ²	w/w	w/d	4,0	3,0
	d/d			

Factor for job site tests and displacements see annex C110

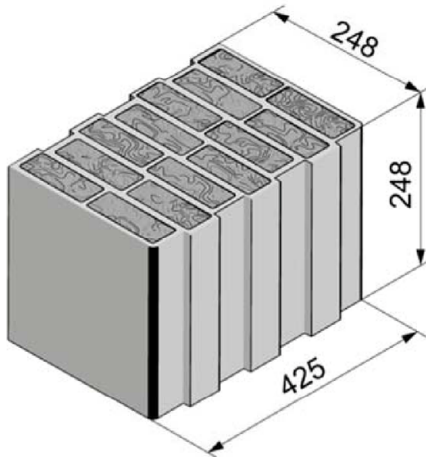
fischer injection system FIS V Plus for masonry

Performance

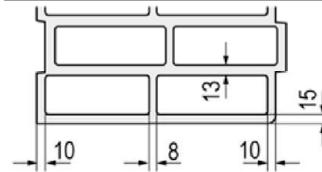
Vertical perforated brick HLz, S9 MW, filled with mineral wool;
Characteristic resistance under shear load

Annex C 43

Vertical perforated brick HLz, T7 MW, filled with mineral wool, EN 771-1:2015



Vertical perforated brick HLz, T7 MW, filled with mineral wool, EN 771-1:2015			
Producer	-		
Nominal dimensions [mm]	length L	width W	height H
	248	425	248
Density ρ [kg/dm ³]	0,6		
Compressive strength f_b [N/mm ²]	4 / 6 / 8		
Standard or annex	EN 771-1:2015		



Dimension see also Annex B 16

Table C44.1: Installation parameters
(Pre-positioned anchorage with perforated sleeve FIS H K)

Anchor rod	M6	M8	M6	M8	-	M8	M10	M8	M10	-	M12	M16	M12	M16	M12	M16	
Internal threaded anchor FIS E	-	-	-	-	M6 11x85	M8	-	-	-	M10 15x85	M12	-	-	-	-	-	
Perforated sleeve FIS H K	12x50		12x85		16x85			16x130			20x85		20x130		20x200		
Anchor rod and internal threaded anchor FIS E with perforated sleeve FIS H K																	
Max. installation torque	T_{inst}	[Nm]	2			5			2			5					
General installation parameters																	
Edge distance	c_{min}								60								
Spacing	$s_{min \parallel}$	[mm]										80					
	$s_{cr \parallel}$											250					
	$s_{min \perp}$											80					
	$s_{cr \perp}$											250					
Drilling method																	
Rotary drilling with carbide drill																	

Table C44.2: Group factors

Anchor rod	M6	M8	M6	M8	-	M8	M10	M8	M10	-	M12	M16	M12	M16	M12	M16	
Internal threaded anchor FIS E	-	-	-	-	M6 11x85	M8	-	-	-	M10 15x85	M12	-	-	-	-	-	
Perforated sleeve FIS H K	12x50		12x85		16x85			16x130			20x85		20x130		20x200		
Group factors	$\alpha_{g,N \parallel}$	[-]										1,9					
	$\alpha_{g,V \parallel}$											0,9					
	$\alpha_{g,N \perp}$											1,0					
	$\alpha_{g,V \perp}$											0,7					

fischer injection system FIS V Plus for masonry

Performance
Vertical perforated brick HLz, T7 MW, filled with mineral wool;
dimensions, installation parameters

Annex C 44

Vertical perforated brick HLz, T7 MW, filled with mineral wool, EN 771-1:2015

Table C45.1: Installation parameters
(Push through anchorage with perforated sleeve FIS H K)

Anchor rod		M10	M12	M16
Perforated sleeve FIS H K		18x130/200		22x130/200
Anchor rod with perforated sleeve FIS H K				
Max. installation torque	T_{inst}	[Nm]	5	
General installation parameters				
Edge distance	c_{min}		60	
Spacing	$s_{min \parallel}$	[mm]	80	
	$s_{cr \parallel}$		250	
	$s_{min \perp}$		80	
	$s_{cr \perp}$		250	
Drilling method				
Rotary drilling with carbide drill				

Table C45.2: Group factors

Anchor rod		M10	M12	M16
Perforated sleeve FIS H K		18x130/200		22x130/200
Group factors	$\alpha_{g,N \parallel}$	[-]	1,9	
	$\alpha_{g,V \parallel}$		0,9	
	$\alpha_{g,N \perp}$		1,0	
	$\alpha_{g,V \perp}$		0,7	

fischer injection system FIS V Plus for masonry

Performance

Vertical perforated brick HLz, T7 MW, filled with mineral wool;
dimensions, installation parameters

Annex C 45

Vertical perforated brick HLz, T7 MW, filled with mineral wool, EN 771-1:2015

Table C46.1: Characteristic resistance under tension load (Pre-positioned anchorage)

Anchor rod	M6	M8	M6	M8	-	M8	M10	M8	M10	-	M12	M16	M12	M16	M12	M16
Internal threaded anchor FIS E	-		-		M6	M8	-		-		M10	M12	-		-	
					11x85						15x85					
Perforated sleeve FIS H K	12x50		12x85		16x85			16x130		20x85			20x130		20x200	
$N_{Rk} = N_{Rk,p} = N_{Rk,b}$ [kN] depending on the compressive strength f_b (temperature range 50/80°C)																
compressive strength f_b	use category															
4 N/mm ²	w/w	w/d	0,6	0,75	1,5			2,0		1,2			2,0		2,0	
	d/d		0,6	0,9	1,5			2,0		1,5			2,0		2,5	
6 N/mm ²	w/w	w/d	0,75	0,9	1,5			2,0		1,5			2,5		2,5	
	d/d		0,9	0,9	2,0			2,5		2,0			2,5		3,0	
8 N/mm ²	w/w	w/d	0,9	1,2	2,0			2,5		2,0			2,5		3,0	
	d/d		0,9	1,2	2,0			3,0		2,0			3,0		3,5	

Table C46.2: Characteristic resistance under tension load (Push through anchorage)

Anchor rod	M10		M12		M16	
Perforated sleeve FIS H K	18x130/200				22x130/200	
$N_{Rk} = N_{Rk,p} = N_{Rk,b}$ [kN] depending on the compressive strength f_b (temperature range 50/80°C)						
compressive strength f_b	use category					
4 N/mm ²	w/w	w/d	2,0		2,0	
	d/d		2,0		2,0	
6 N/mm ²	w/w	w/d	2,0		2,5	
	d/d		2,5		2,5	
8 N/mm ²	w/w	w/d	2,5		2,5	
	d/d		3,0		3,0	

Factor for job site tests and displacements see annex C110

Factor for temperature range 72/120°C: 0,83

fischer injection system FIS V Plus for masonry

Performance

Vertical perforated brick HLz, T7 MW, filled with mineral wool;
Characteristic resistance under tension load

Annex C 46

Vertical perforated brick HLz, T7 MW, filled with mineral wool, EN 771-1:2015																
Table C47.1: Characteristic resistance under shear load (Pre-positioned anchorage)																
Anchor rod	M6	M8	M6	M8	-	M8	M10	M8	M10	-	M12	M16	M12	M16		
Internal threaded anchor FIS E	-		-		M6	M8	-		-		M10	M12	-			
					11x85						15x85					
Perforated sleeve FIS H K	12x50		12x85		16x85			16x130		20x85			20x130		20x200	
$V_{Rk} = V_{Rk,b} = V_{Rk,c}$ [kN] depending on the compressive strength f_b (temperature range 50/80°C and 72/120°C)																
compressive strength f_b	use category															
	w/w	w/d	1,2		1,5						1,5					
4 N/mm ²	w/w	w/d	1,5		2,0						1,5					
	d/d															
6 N/mm ²	w/w	w/d	1,5		2,5						2,0					
	d/d															
8 N/mm ²	w/w	w/d	1,5		2,5						2,0					
	d/d															

Table C47.2: Characteristic resistance under shear load (Push through anchorage)														
Anchor rod	M10				M12				M16					
Perforated sleeve FIS H K	18x130/200								22x130/200					
$V_{Rk} = V_{Rk,b} = V_{Rk,c}$ [kN] depending on the compressive strength f_b (temperature range 50/80°C and 72/120°C)														
compressive strength f_b	use category													
	w/w	w/d	1,5											
4 N/mm ²	w/w	w/d	2,0											
	d/d													
6 N/mm ²	w/w	w/d	2,5											
	d/d													
8 N/mm ²	w/w	w/d												
	d/d													

Factor for job site tests and displacements see annex C110

fischer injection system FIS V Plus for masonry	Annex C 47
Performance Vertical perforated brick HLz, T7 MW, filled with mineral wool; Characteristic resistance under shear load	

Vertical perforated brick HLz, EN 771-1:2015

Table C49.1: Installation parameters
(Push through anchorage with perforated sleeve FIS H K)

Anchor rod		M10	M12	M16
Perforated sleeve FIS H K		18x130/200		22x130/200
Anchor rod with perforated sleeve FIS H K				
Max. installation torque	T_{inst}	[Nm]	2	
General installation parameters				
Edge distance	c_{min}	[mm]	120	
Spacing	$s_{min \parallel}$		120	
	$s_{cr \parallel}$		500	
	$s_{min \perp} = s_{cr \perp}$		315	
Drilling method				
Hammer drilling with hard metal hammer drill				

Table C49.2: Group factors

Anchor rod		M10	M12	M16
Perforated sleeve FIS H K		18x130/200		22x130/200
Group factors	$\alpha_{g,N \parallel}$	[-]	1,3	
	$\alpha_{g,V \parallel}$		1,7	
	$\alpha_{g,N \perp} = \alpha_{g,V \perp}$		2	

fischer injection system FIS V Plus for masonry

Performance
Vertical perforated brick HLz, dimensions, installation parameters

Annex C 49

Vertical perforated brick HLz, EN 771-1:2015

Table C50.1: Characteristic resistance under tension load (Pre-positioned anchorage)

Anchor rod	M6	M8	M6	M8	-	M8	M10	M8	M10	-	M12	M16	M12	M16
Internal threaded anchor FIS E	-	-	M6 M8		M8 M10		M8 M10		M10 M12		-	-	-	-
Perforated sleeve FIS H K	12x50		12x85		16x85			16x130		20x85			20x130	
$N_{Rk} = N_{Rk,p} = N_{Rk,b}$ [kN] depending on the compressive strength f_b (temperature range 50/80°C)														
compressive strength f_b	use category													
4 N/mm ²	w/w	w/d	0,5		1,5			0,75		1,5			1,5	
	d/d		0,6		1,5			0,9		1,5			2,0	
6 N/mm ²	w/w	w/d	0,75		2,0			1,2		2,0			2,5	
	d/d		0,9		2,5			1,2		2,5			2,5	
8 N/mm ²	w/w	w/d	0,9		3,0			1,5		3,0			3,5	
	d/d		1,2		3,0			2,0		3,0			3,5	

Table C50.2: Characteristic resistance under tension load (Push through anchorage)

Anchor rod	M10		M12		M16	
Perforated sleeve FIS H K	18x130/200				22x130/200	
$N_{Rk} = N_{Rk,p} = N_{Rk,b}$ [kN] depending on the compressive strength f_b (temperature range 50/80°C)						
compressive strength f_b	use category					
4 N/mm ²	w/w	w/d	0,75		1,5	
	d/d		0,9		2,0	
6 N/mm ²	w/w	w/d	1,2		2,5	
	d/d		1,2		2,5	
8 N/mm ²	w/w	w/d	1,5		3,5	
	d/d		2,0		3,5	

Factor for job site tests and displacements see annex C110

Factor for temperature range 72/120°C: 0,83

fischer injection system FIS V Plus for masonry

Performance

Vertical perforated brick HLz, Characteristic resistance under tension load

Annex C 50

Vertical perforated brick HLz, EN 771-1:2015

Table C51.1: Characteristic resistance under shear load (Pre-positioned anchorage)

Anchor rod	M6	M8	M6	M8	-	M8	M10	M8	M10	-	M12	M16	M12	M16
Internal threaded anchor FIS E	-		-		M6	M8	-		-		M10	M12	-	
					11x85						15x85			
Perforated sleeve FIS H K	12x50		12x85		16x85			16x130		20x85			20x130	

$V_{Rk} = V_{Rk,b} = V_{Rk,c}$ [kN] depending on the compressive strength f_b (temperature range 50/80°C and 72/120°C)

compressive strength f_b	use category									
	4 N/mm ²	w/w	w/d	1,5				0,9	1,5	2,5
d/d										
6 N/mm ²	w/w	w/d	2,5				1,5	2,5	3,5	1,5
	d/d									
8 N/mm ²	w/w	w/d	3,5				2,0	3,5	4,5	2,0
	d/d									

Table C51.2: Characteristic resistance under shear load (Push through anchorage)

Anchor rod	M10	M12	M16
Perforated sleeve FIS H K	18x130/200		22x130/200

$V_{Rk} = V_{Rk,b} = V_{Rk,c}$ [kN] depending on the compressive strength f_b (temperature range 50/80°C and 72/120°C)

compressive strength f_b	use category				
	4 N/mm ²	w/w	w/d	0,9	
d/d					
6 N/mm ²	w/w	w/d	1,5		
	d/d				
8 N/mm ²	w/w	w/d	2,0		
	d/d				

Factor for job site tests and displacements see annex C110

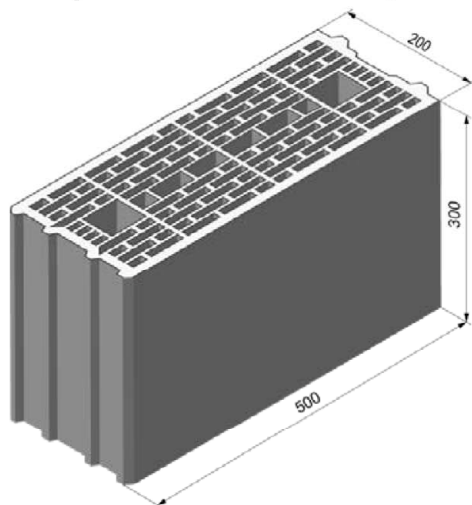
fischer injection system FIS V Plus for masonry

Performance

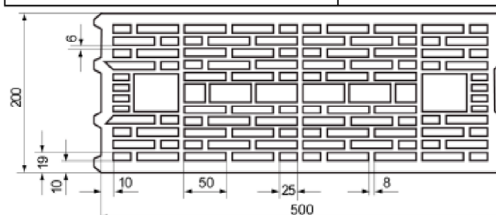
Vertical perforated brick HLz, Characteristic resistance under shear load

Annex C 51

Vertical perforated brick HLz, EN 771-1:2015



Vertical perforated brick HLz, EN 771-1:2015			
Producer	e.g. Wienerberger		
Nominal dimensions [mm]	length L	width W	height H
	500	200	300
Density ρ [kg/dm ³]	≥ 0,7		
Compressive strength f_b [N/mm ²]	4 / 6 / 8 / 10		
Standard or annex	EN 771-1:2015		



Dimension see also Annex B 17

Table C52.1: Installation parameters
(Pre-positioned anchorage with perforated sleeve FIS H K)

Anchor rod	M6	M8	M6	M8	-	M8	M10	M8	M10	-	M12	M16	M12	M16
Internal threaded anchor FIS E	-	-	M6	M8	11x85	-	-	M10	M12	15x85	-	-	-	-
Perforated sleeve FIS H K	12x50	12x85	16x85		16x130		20x85		20x130					
Anchor rod and internal threaded anchor FIS E with perforated sleeve FIS H K														
Max. installation torque	T_{inst}	[Nm]	2											
General installation parameters														
Edge distance	c_{min}	[mm]	50				80				50	80		
Spacing	$s_{min \parallel}$	[mm]	100											
	$s_{cr \parallel}$		500											
	$s_{min \perp} = s_{cr \perp}$		300											
Drilling method														
Hammer drilling with hard metal hammer drill														

Table C52.2: Group factors

Anchor rod	M6	M8	M6	M8	-	M8	M10	M8	M10	-	M12	M16	M12	M16
Internal threaded anchor FIS E	-	-	M6	M8	11x85	-	-	M10	M12	15x85	-	-	-	-
Perforated sleeve FIS H K	12x50	12x85	16x85		16x130		20x85		20x130					
Group factors	$\alpha_{g,N \parallel}$	[-]	1,4											
	$\alpha_{g,v \parallel}$		2											
	$\alpha_{g,N \perp} = \alpha_{g,v \perp}$													

fischer injection system FIS V Plus for masonry

Performance

Vertical perforated brick HLz, dimensions, installation parameters

Annex C 52

Vertical perforated brick HLz, EN 771-1:2015			
Table C53.1: Installation parameters (Push through anchorage with perforated sleeve FIS H K)			
Anchor rod	M10	M12	M16
Perforated sleeve FIS H K	18x130/200		22x130/200
Anchor rod with perforated sleeve FIS H K			
Max. installation torque	T_{inst} [Nm]	2	
General installation parameters			
Edge distance	c_{min}	80	
Spacing	$s_{min \parallel}$	100	
	$s_{cr \parallel}$	500	
	$s_{min \perp} = s_{cr \perp}$	300	
Drilling method			
Hammer drilling with hard metal hammer drill			
Table C53.2: Group factors			
Anchor rod	M10	M12	M16
Perforated sleeve FIS H K	18x130/200		22x130/200
Group factors	$\alpha_{g,N \parallel}$	1,4	
	$\alpha_{g,v \parallel}$	2	
	$\alpha_{g,N \perp} = \alpha_{g,v \perp}$	2	
fischer injection system FIS V Plus for masonry			Annex C 53
Performance Vertical perforated brick HLz, dimensions, installation parameters			

Vertical perforated brick HLz, EN 771-1:2015

Table C54.1: Characteristic resistance under tension load (Pre-positioned anchorage)

Anchor rod	M6	M8	M6	M8	-	M8	M10	M8	M10	-	M12	M16	M12	M16
Internal threaded anchor FIS E	-	-	-	-	M6 M8 11x85	-	-	-	-	M10 M12 15x85	-	-	-	-
Perforated sleeve FIS H K	12x50	12x85	12x85	12x85	16x85	16x85	16x130	16x130	16x130	20x85	20x85	20x130	20x130	20x130
$N_{Rk} = N_{Rk,p} = N_{Rk,b}$ [kN] depending on the compressive strength f_b (temperature range 50/80°C)														
compressive strength f_b	use category													
4 N/mm ²	w/w	w/d	0,5		0,6		1,2		0,75		1,5			
	d/d		0,6		0,75		1,2		0,9		1,5			
6 N/mm ²	w/w	w/d	0,75		0,9		1,5		1,2		2,0			
	d/d		0,9		1,2		2,0		1,2		2,5			
8 N/mm ²	w/w	w/d	0,9		1,2		2,0		1,5		2,5			
	d/d		1,2		1,5		2,5		1,5		3,0			
10 N/mm ²	w/w	w/d	1,2		1,5		2,5		2,0		3,5			
	d/d		1,5		2,0		3,0		2,0		4,0			

Table C54.2: Characteristic resistance under tension load (Push through anchorage)

Anchor rod	M10	M12	M16
Perforated sleeve FIS H K	18x130/200	18x130/200	22x130/200
$N_{Rk} = N_{Rk,p} = N_{Rk,b}$ [kN] depending on the compressive strength f_b (temperature range 50/80°C)			
compressive strength f_b	use category		
4 N/mm ²	w/w	w/d	1,2
	d/d		1,2
6 N/mm ²	w/w	w/d	1,5
	d/d		2,0
8 N/mm ²	w/w	w/d	2,0
	d/d		2,5
10 N/mm ²	w/w	w/d	2,5
	d/d		3,0

Factor for job site tests and displacements see annex C110

Factor for temperature range 72/120°C: 0,83

fischer injection system FIS V Plus for masonry

Performance
Vertical perforated brick HLz, Characteristic resistance under tension load

Annex C 54

Vertical perforated brick HLz, EN 771-1:2015

Table C55.1: Characteristic resistance under shear load (Pre-positioned anchorage)

Anchor rod	M6	M8	M6	M8	-	M8	M10	M8	M10	-	M12	M16	M12	M16
Internal threaded anchor FIS E	-	-	M6	M8	11x85	-	-	M10	M12	15x85	-	-	-	-
Perforated sleeve FIS H K	12x50	12x85	16x85			16x130			20x85			20x130		
$V_{Rk} = V_{Rk,b} = V_{Rk,c}$ [kN] depending on the compressive strength f_b (temperature range 50/80°C and 72/120°C)														
compressive strength f_b	use category													
4 N/mm ²	w/w	w/d	0,9	1,2	0,9	1,2	0,6	2,0	0,6					
	d/d													
6 N/mm ²	w/w	w/d	1,2	1,5	1,2	1,5	0,9	3,0	0,9					
	d/d													
8 N/mm ²	w/w	w/d	1,5	2,0	1,5	2,0	1,2	4,0	1,2					
	d/d													
10 N/mm ²	w/w	w/d	2,0	3,0	2,0	3,0	1,5	5,0	1,5					
	d/d													

Table C55.2: Characteristic resistance under shear load (Push through anchorage)

Anchor rod	M10	M12	M16
Perforated sleeve FIS H K	18x130/200		22x130/200
$V_{Rk} = V_{Rk,b} = V_{Rk,c}$ [kN] depending on the compressive strength f_b (temperature range 50/80°C and 72/120°C)			
compressive strength f_b	use category		
4 N/mm ²	w/w	w/d	0,6
	d/d		
6 N/mm ²	w/w	w/d	0,9
	d/d		
8 N/mm ²	w/w	w/d	1,2
	d/d		
10 N/mm ²	w/w	w/d	1,5
	d/d		

Factor for job site tests and displacements see annex C110

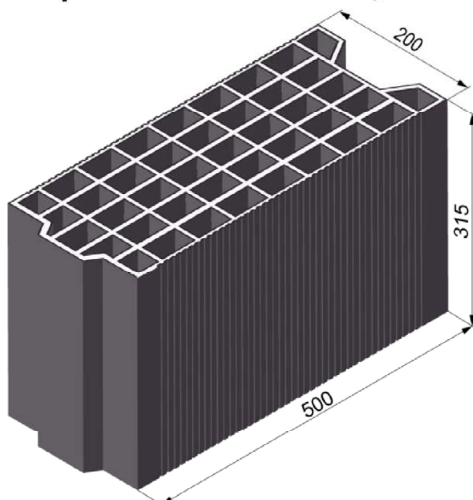
fischer injection system FIS V Plus for masonry

Performance

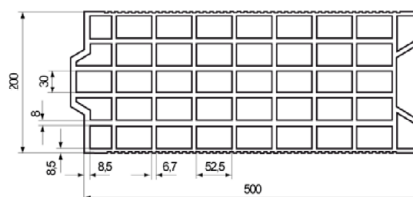
Vertical perforated brick HLz, Characteristic resistance under shear load

Annex C 55

Vertical perforated brick HLz, EN 771-1:2015



Vertical perforated brick HLz, EN 771-1:2015			
Producer	e.g. Terreal		
Nominal dimensions [mm]	length L	width W	height H
	500	200	315
Density ρ [kg/dm ³]	≥ 0,7		
Compressive strength f_b [N/mm ²]	2 / 4 / 6 / 8		
Standard or annex	EN 771-1:2015		



Dimension see also Annex B 17

Table C56.1: Installation parameters
(Pre-positioned anchorage with perforated sleeve FIS H K)

Anchor rod	M6	M8	M6	M8	-	M8	M10	M8	M10	-	M12	M16	M12	M16
Internal threaded anchor FIS E	-	-	M6	M8	11x85	-	-	M10	M12	15x85	-	-	-	-
Perforated sleeve FIS H K	12x50	12x85	16x85		16x130		20x85		20x130					

Anchor rod and internal threaded anchor FIS E with perforated sleeve FIS H K

Max. installation torque	T_{inst} [Nm]	2												
--------------------------	-----------------	---	--	--	--	--	--	--	--	--	--	--	--	--

General installation parameters

Edge distance	C_{min}	50				80				50				80			
Spacing	$S_{min \parallel}$	100															
	$S_{scr \parallel}$ [mm]	500															
	$S_{min \perp}$	100															
	$S_{scr \perp}$	315															

Drilling method

Hammer drilling with hard metal hammer drill

Table C56.2: Group factors

Anchor rod	M6	M8	M6	M8	-	M8	M10	M8	M10	-	M12	M16	M12	M16
Internal threaded anchor FIS E	-	-	M6	M8	11x85	-	-	M10	M12	15x85	-	-	-	-
Perforated sleeve FIS H K	12x50	12x85	16x85		16x130		20x85		20x130					
Group factors	$\alpha_{g,N \parallel}$	1,1												
	$\alpha_{g,V \parallel}$	1,2												
	$\alpha_{g,N \perp}$	1,1												
	$\alpha_{g,V \perp}$	1,2												

fischer injection system FIS V Plus for masonry

Performance
Vertical perforated brick HLz, dimensions, installation parameters

Annex C 56

Vertical perforated brick HLz, EN 771-1:2015			
Table C57.1: Installation parameters (Push through anchorage with perforated sleeve FIS H K)			
Anchor rod		M10	M12
Perforated sleeve FIS H K		18x130/200	
			M16
		22x130/200	
Anchor rod with perforated sleeve FIS H K			
Max. installation torque	T_{inst}	[Nm]	2
General installation parameters			
Edge distance	c_{min}		80
Spacing	$s_{min \parallel}$	[mm]	100
	$s_{cr \parallel}$		500
	$s_{min \perp}$		100
	$s_{cr \perp}$		315
Drilling method			
Hammer drilling with hard metal hammer drill			
Table C57.2: Group factors			
Anchor rod		M10	M12
Perforated sleeve FIS H K		18x130/200	
			M16
		22x130/200	
Group factors	$\alpha_{g,N \parallel}$	[-]	1,1
	$\alpha_{g,V \parallel}$		1,2
	$\alpha_{g,N \perp}$		1,1
	$\alpha_{g,V \perp}$		1,2
fischer injection system FIS V Plus for masonry			Annex C 57
Performance Vertical perforated brick HLz, dimensions, installation parameters			

Vertical perforated brick HLz, EN 771-1:2015

Table C58.1: Characteristic resistance under tension load (Pre-positioned anchorage)

Anchor rod	M6	M8	M6	M8	-	M8	M10	M8	M10	-	M12	M16	M12	M16
Internal threaded anchor FIS E	-	-	M6	M8	11x85	-	-	M10	M12	15x85	-	-	-	-
Perforated sleeve FIS H K	12x50	12x85	16x85			16x130			20x85			20x130		
$N_{Rk} = N_{Rk,p} = N_{Rk,b}$ [kN] depending on the compressive strength f_b (temperature range 50/80°C)														
compressive strength f_b	use category													
2 N/mm ²	w/w	w/d	0,5											
	d/d		0,5			0,6			0,5			0,6		
4 N/mm ²	w/w	w/d	0,9											
	d/d		0,9	1,2										
6 N/mm ²	w/w	w/d	1,5											
	d/d		1,5											
8 N/mm ²	w/w	w/d	2,0											
	d/d		2,0											

Table C58.2: Characteristic resistance under tension load (Push through anchorage)

Anchor rod	M10		M12		M16	
Perforated sleeve FIS H K	18x130/200				22x130/200	
$N_{Rk} = N_{Rk,p} = N_{Rk,b}$ [kN] depending on the compressive strength f_b (temperature range 50/80°C)						
compressive strength f_b	use category					
2 N/mm ²	w/w	w/d	0,5			
	d/d		0,6			
4 N/mm ²	w/w	w/d	0,9			
	d/d		1,2			
6 N/mm ²	w/w	w/d	1,5			
	d/d		1,5			
8 N/mm ²	w/w	w/d	2,0			
	d/d		2,0			

Factor for job site tests and displacements see annex C110

Factor for temperature range 72/120°C: 0,83

fischer injection system FIS V Plus for masonry

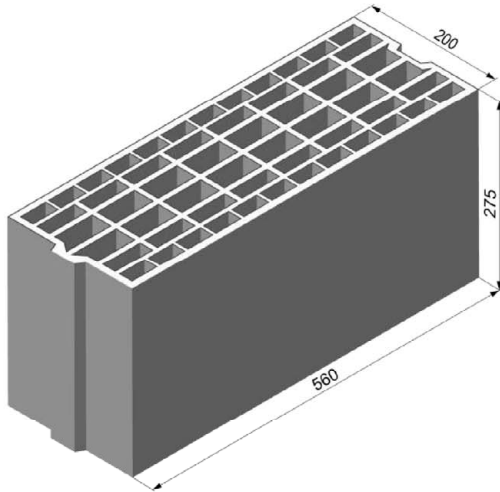
Performance

Vertical perforated brick HLz, Characteristic resistance under tension load

Annex C 58

Vertical perforated brick HLz, EN 771-1:2015																	
Table C59.1: Characteristic resistance under shear load (Pre-positioned anchorage)																	
Anchor rod		M6	M8	M6	M8	-		M8	M10	M8	M10	-		M12	M16	M12	M16
Internal threaded anchor FIS E		-		-		M6	M8	-		-		M10	M12	-		-	
				11x85						15x85							
Perforated sleeve FIS H K		12x50		12x85		16x85			16x130		20x85			20x130			
$V_{Rk} = V_{Rk,b} = V_{Rk,c}$ [kN] depending on the compressive strength f_b (temperature range 50/80°C and 72/120°C)																	
compressive strength f_b		use category															
2 N/mm ²	w/w	w/d	0,3	0,6	0,3	0,6	0,6	0,6	0,9	0,75							
	d/d																
4 N/mm ²	w/w	w/d	0,75	1,2	0,75	1,2	1,2	2,0	1,5								
	d/d																
6 N/mm ²	w/w	w/d	0,9	2,0	0,9	2,0	1,5	3,0	2,0								
	d/d																
8 N/mm ²	w/w	w/d	1,5	2,5	1,5	2,5	2,0	4,0	3,0								
	d/d																
Table C59.2: Characteristic resistance under shear load (Push through anchorage)																	
Anchor rod		M10				M12				M16							
Perforated sleeve FIS H K		18x130/200								22x130/200							
$V_{Rk} = V_{Rk,b} = V_{Rk,c}$ [kN] depending on the compressive strength f_b (temperature range 50/80°C and 72/120°C)																	
compressive strength f_b		use category															
2 N/mm ²	w/w	w/d	0,6						0,75								
	d/d																
4 N/mm ²	w/w	w/d	1,2						1,5								
	d/d																
6 N/mm ²	w/w	w/d	1,5						2,0								
	d/d																
8 N/mm ²	w/w	w/d	2,0						3,0								
	d/d																
Factor for job site tests and displacements see annex C110																	
fischer injection system FIS V Plus for masonry																Annex C 59	
Performance		Vertical perforated brick HLz, Characteristic resistance under shear load															

Vertical perforated brick HLz, EN 771-1:2015



Vertical perforated brick HLz, EN 771-1:2015			
Producer	e.g. Imery		
Nominal dimensions [mm]	length L	width W	height H
	560	200	275
Density ρ [kg/dm ³]	≥ 0,7		
Compressive strength f_b [N/mm ²]	4 / 6 / 8		
Standard or annex	EN 771-1:2015		

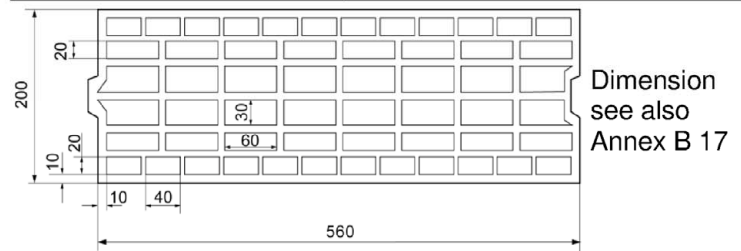


Table C60.1: Installation parameters

Anchor rod	M8	M10	M10	M12	M12	M16	M16
Perforated sleeve FIS H K	16x130		18x130/200		20x130		22x130/200
Anchor rod with perforated sleeve FIS H K							
Max. installation torque T_{inst} [Nm]	2						
General installation parameters							
Edge distance c_{min}	80						
Spacing	$s_{min \parallel} = s_{cr \parallel}$ [mm]	560					
	$s_{min \perp} = s_{cr \perp}$	275					
Drilling method							
Hammer drilling with hard metal hammer drill							

Table C60.2: Group factors

Anchor rod	M8	M10	M10	M12	M12	M16	M16
Perforated sleeve FIS H K	16x130		18x130/200		20x130		22x130/200
Group factors	$\alpha_{g,N \parallel}$	[-]	2				
	$\alpha_{g,v \parallel}$						
	$\alpha_{g,N \perp}$						
	$\alpha_{g,v \perp}$						

fischer injection system FIS V Plus for masonry

Performance

Vertical perforated brick HLz, dimensions, installation parameters

Annex C 60

Vertical perforated brick HLz, EN 771-1:2015

Table C61.1: Characteristic resistance under tension load

Anchor rod		M8	M10	M10	M12	M12	M16	M16
Perforated sleeve FIS H K		16x130		18x130/200		20x130		22x130/200
$N_{Rk} = N_{Rk,p} = N_{Rk,b}$ [kN] depending on the compressive strength f_b (temperature range 50/80°C)								
compressive strength f_b	use category							
	w/w	w/d						
4 N/mm ²	w/w	w/d	0,9			1,2		
		d/d	1,2			1,5		
6 N/mm ²	w/w	w/d	1,5			2,0		
		d/d	1,5			2,0		
8 N/mm ²	w/w	w/d	2,0			2,5		
		d/d	2,5			3,0		

Factor for temperature range 72/120°C: 0,83

Table C61.2: Characteristic resistance under shear load

Anchor rod		M8	M10	M10	M12	M12	M16	M16
Perforated sleeve FIS H K		16x130		18x130/200		20x130		22x130/200
$V_{Rk} = V_{Rk,b} = V_{Rk,c}$ [kN] depending on the compressive strength f_b (temperature range 50/80°C and 72/120°C)								
compressive strength f_b	use category							
	w/w	w/d						
4 N/mm ²	w/w	w/d				0,9		
		d/d				0,9		
6 N/mm ²	w/w	w/d				1,5		
		d/d				1,5		
8 N/mm ²	w/w	w/d				2,0		
		d/d				2,0		

Factor for job site tests and displacements see annex C110

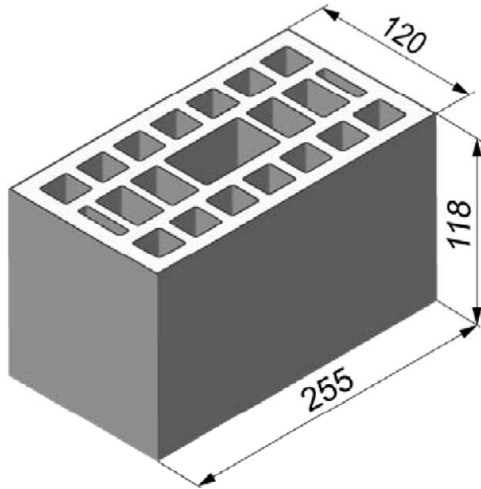
fischer injection system FIS V Plus for masonry

Performance

Vertical perforated brick HLz, Characteristic resistance under tension and shear load

Annex C 61

Vertical perforated brick HLz, EN 771-1:2015



Vertical perforated brick HLz, EN 771-1:2015			
Producer	e.g. Wienerberger		
Nominal dimensions [mm]	length L	width W	height H
	255	120	118
Density ρ [kg/dm ³]	≥ 1,0		
Compressive strength f_b [N/mm ²]	2 / 4 / 6 / 8 / 10 / 12		
Standard or annex	EN 771-1:2015		

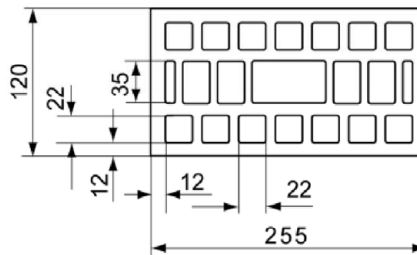


Table C62.1: Installation parameters

Anchor rod	M6	M8	M6	M8	-	M8	M10	-	M12	M16
Internal threaded anchor FIS E	-		-		M6	M8	-		M10	M12
	-		-		11x85		-		15x85	
Perforated sleeve FIS H K	12x50		12x85		16x85			20x85		
Anchor rod and internal threaded anchor FIS E with perforated sleeve FIS H K										
Max. installation torque T_{inst} [Nm]	2									
General installation parameters										
Edge distance C_{min}	60									
Spacing $S_{cr \parallel} = S_{min \parallel}$ [mm]	255									
	$S_{cr \perp} = S_{min \perp}$	120								
Drilling method										
Hammer drilling with hard metal hammer drill										

Table C62.2: Group factors

Anchor rod	M6	M8	M6	M8	-	M8	M10	-	M12	M16
Internal threaded anchor FIS E	-		-		M6	M8	-		M10	M12
	-		-		11x85		-		15x85	
Perforated sleeve FIS H K	12x50		12x85		16x85			20x85		
Group factors	$\alpha_{g,N \parallel}$	[-]	2							
	$\alpha_{g,V \parallel}$									
	$\alpha_{g,N \perp}$									
	$\alpha_{g,V \perp}$									

fischer injection system FIS V Plus for masonry

Performance

Vertical perforated brick HLz, dimensions, installation parameters

Annex C 62

Vertical perforated brick HLz, EN 771-1:2015

Table C63.1: Characteristic resistance under tension load

Anchor rod	M6	M8	M6	M8	-	M8	M10	-	M12	M16	
Internal threaded anchor FIS E	-		-		M6	M8	-		M10	M12	-
					11x85				15x85		
Perforated sleeve FIS H K	12x50		12x85		16x85			20x85			
$N_{Rk} = N_{Rk,p} = N_{Rk,b}$ [kN] depending on the compressive strength f_b (temperature range 50/80°C)											
compressive strength f_b	use category										
2 N/mm ²	w/w	w/d	0,4		0,5			- ¹⁾			
	d/d		0,5		0,5			- ¹⁾			
4 N/mm ²	w/w	w/d	0,9		0,9			0,5			
	d/d		0,9		1,2			0,5			
6 N/mm ²	w/w	w/d	1,2		1,5			0,75			
	d/d		1,5		1,5			0,75			
8 N/mm ²	w/w	w/d	1,5		2,0			0,9			
	d/d		2,0		2,0			0,9			
10 N/mm ²	w/w	w/d	2,0		2,5			1,2			
	d/d		2,5		2,5			1,2			
12 N/mm ²	w/w	w/d	2,5		3,0			1,5			
	d/d		3,0		3,5			1,5			

¹⁾ No performance assesses

Factor for job site tests and displacements see annex C110

Factor for temperature range 72/120°C: 0,83

fischer injection system FIS V Plus for masonry

Performance

Vertical perforated brick HLz, Characteristic resistance under tension load

Annex C 63

Vertical perforated brick HLz, EN 771-1:2015

Table C64.1: Characteristic resistance under shear load

Anchor rod	M6	M8	M6	M8	-	M8	M10	-	M12	M16	
Internal threaded anchor FIS E	-		-		M6	M8	-		M10	M12	-
					11x85				15x85		
Perforated sleeve FIS H K	12x50		12x85		16x85			20x85			
$V_{Rk} = V_{Rk,b} = V_{Rk,c}$ [kN] depending on the compressive strength f_b (temperature range 50/80°C and 72/120°C)											
compressive strength f_b	use category										
	w/w	w/d									
2 N/mm ²	w/w	w/d	0,6	0,75	0,6	0,75	0,9				
	d/d										
4 N/mm ²	w/w	w/d	1,2	1,5	1,2	1,5	2,0				
	d/d										
6 N/mm ²	w/w	w/d	2,0	2,0	2,0	2,0	2,5				
	d/d										
8 N/mm ²	w/w	w/d	2,5	3,0	2,5	3,0	3,5				
	d/d										
10 N/mm ²	w/w	w/d	3,0	3,5	3,0	3,5	4,5				
	d/d										
12 N/mm ²	w/w	w/d	4,0	4,5	4,0	4,5	5,5				
	d/d										

Factor for job site tests and displacements see annex C110

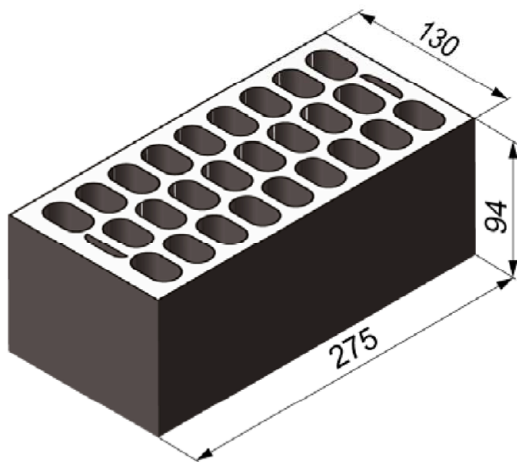
fischer injection system FIS V Plus for masonry

Performance

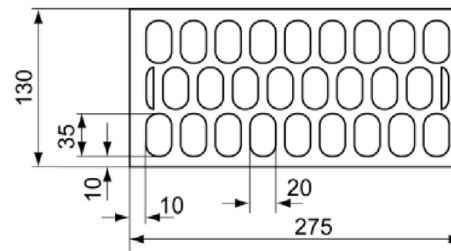
Vertical perforated brick HLz, Characteristic resistance under shear load

Annex C 64

Vertical perforated brick HLz, EN 771-1:2015



Vertical perforated brick HLz, EN 771-1:2015			
Producer	e.g. Ceramica Farreny S.A.		
Nominal dimensions [mm]	length L	width W	height H
	275	130	94
Density ρ [kg/dm ³]	≥ 0,8		
Compressive strength f_b [N/mm ²]	6 / 8 / 12 / 16 / 20		
Standard or annex	EN 771-1:2015		



Dimension see also Annex B 18

Table C65.1: Installation parameters

Anchor rod	M6	M8	M6	M8	-	M8	M10	-	M12	M16
Internal threaded anchor FIS E	-		-		M6	M8	-		M10	M12
					11x85				15x85	
Perforated sleeve FIS H K	12x50		12x85		16x85			20x85		
Anchor rod and internal threaded anchor FIS E with perforated sleeve FIS H K										
Max. installation torque	T_{inst}	[Nm]	2							
General installation parameters										
Edge distance	C_{min}	[mm]	100				120			
Spacing	$S_{cr \parallel} = S_{min \parallel}$	[mm]	275							
	$S_{cr \perp} = S_{min \perp}$	[mm]	95							
Drilling method										
Hammer drilling with hard metal hammer drill										

Table C65.2: Group factors

Anchor rod	M6	M8	M6	M8	-	M8	M10	-	M12	M16
Internal threaded anchor FIS E	-		-		M6	M8	-		M10	M12
					11x85				15x85	
Perforated sleeve FIS H K	12x50		12x85		16x85			20x85		
Group factors	$\alpha_{g,N \parallel}$	[-]	2							
	$\alpha_{g,v \parallel}$									
	$\alpha_{g,N \perp}$									
	$\alpha_{g,v \perp}$									

fischer injection system FIS V Plus for masonry

Performance

Vertical perforated brick HLz, dimensions, installation parameters

Annex C 65

Vertical perforated brick HLz, EN 771-1:2015

Table C66.1: Characteristic resistance under tension load

Anchor rod	M6	M8	M6	M8	-	M8	M10	-	M12	M16	
Internal threaded anchor FIS E	-		-		M6	M8	-		M10	M12	-
					11x85				15x85		
Perforated sleeve FIS H K	12x50		12x85		16x85			20x85			
$N_{Rk} = N_{Rk,p} = N_{Rk,b}$ [kN] depending on the compressive strength f_b (temperature range 50/80°C)											
compressive strength f_b	use category										
6 N/mm ²	w/w	w/d	0,4						0,9		
	d/d		0,4						0,9		
8 N/mm ²	w/w	w/d	0,5						1,2		
	d/d		0,6						1,2		
12 N/mm ²	w/w	w/d	0,75						1,5		
	d/d		0,9						2,0		
16 N/mm ²	w/w	w/d	0,9						2,0		
	d/d		1,2						2,5		
20 N/mm ²	w/w	w/d	1,2						3,0		
	d/d		1,5						3,0		

Factor for temperature range 72/120°C: 0,83

Table C66.2: Characteristic resistance under shear load

Anchor rod	M6	M8	M6	M8	-	M8	M10	-	M12	M16	
Internal threaded anchor FIS E	-		-		M6	M8	-		M10	M12	-
					11x85				15x85		
Perforated sleeve FIS H K	12x50		12x85		16x85			20x85			
$V_{Rk} = V_{Rk,b} = V_{Rk,c}$ [kN] depending on the compressive strength f_b (temperature range 50/80°C and 72/120°C)											
compressive strength f_b	use category										
6 N/mm ²	w/w	w/d	1,2						1,2		
	d/d		1,2						1,2		
8 N/mm ²	w/w	w/d	1,5						1,5		
	d/d		1,5						1,5		
12 N/mm ²	w/w	w/d	2,0						2,5		
	d/d		2,0						2,5		
16 N/mm ²	w/w	w/d	3,0						3,0		
	d/d		3,0						3,0		
20 N/mm ²	w/w	w/d	4,0						4,0		
	d/d		4,0						4,0		

Factor for job site tests and displacements see annex C110

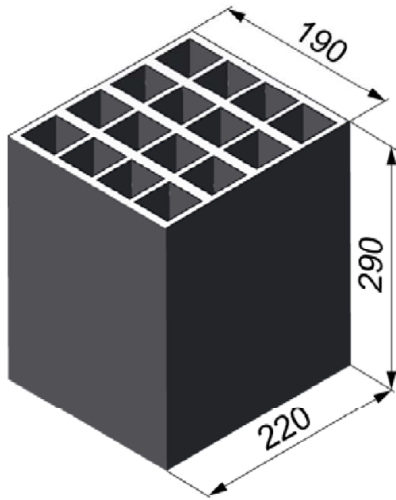
fischer injection system FIS V Plus for masonry

Performance

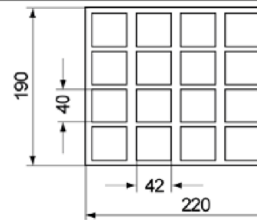
Vertical perforated brick HLz, Characteristic resistance under tension and shear load

Annex C 66

Vertical perforated brick HLz, EN 771-1:2015



Vertical perforated brick HLz, EN 771-1:2015			
Producer	e.g. Perceram		
Nominal dimensions [mm]	length L	width W	height H
	220	190	290
Density ρ [kg/dm ³]	≥ 0,7		
Compressive strength f_b [N/mm ²]	6 / 8 / 10		
Standard or annex	EN 771-1:2015		



Dimension see also Annex B 18

Table C67.1: Installation parameters
(Pre-positioned anchorage with perforated sleeve FIS H K)

Anchor rod	M6	M8	M6	M8	-	M8	M10	M8	M10	-	M12	M16	M12	M16
Internal threaded anchor FIS E	-	-	M6	M8	11x85	-	-	M10	M12	15x85	-	-	-	-
Perforated sleeve FIS H K	12x50	12x85	16x85		16x130		20x85		20x130					
Anchor rod and internal threaded anchor FIS E with perforated sleeve FIS H K														
Max. installation torque	T_{inst}	[Nm]	2											
General installation parameters														
Edge distance	C_{min}	[mm]	110											
Spacing	$S_{min \parallel} = S_{cr \parallel}$	[mm]	220											
	$S_{min \perp} = S_{cr \perp}$	[mm]	290											
Drilling method														
Hammer drilling with hard metal hammer drill														

Table C67.2: Group factors

Anchor rod	M6	M8	M6	M8	-	M8	M10	M8	M10	-	M12	M16	M12	M16
Internal threaded anchor FIS E	-	-	M6	M8	11x85	-	-	M10	M12	15x85	-	-	-	-
Perforated sleeve FIS H K	12x50	12x85	16x85		16x130		20x85		20x130					
Group factors	$\alpha_{g,N \parallel}$	[-]	2											
	$\alpha_{g,v \parallel}$													
	$\alpha_{g,N \perp}$													
	$\alpha_{g,v \perp}$													

fischer injection system FIS V Plus for masonry

Performance
Vertical perforated brick HLz, dimensions, installation parameters

Annex C 67

Vertical perforated brick HLz, EN 771-1:2015			
Table C68.1: Installation parameters (Push through anchorage with perforated sleeve FIS H K)			
Anchor rod	M10	M12	M16
Perforated sleeve FIS H K	18x130/200		22x130/200
Anchor rod with perforated sleeve FIS H K			
Max. installation torque	T_{inst} [Nm]	2	
General installation parameters			
Edge distance	c_{min}	110	
Spacing	$s_{min \parallel} = s_{cr \parallel}$	220	
	$s_{min \perp} = s_{cr \perp}$	290	
Drilling method			
Hammer drilling with hard metal hammer drill			
Table C68.2: Group factors			
Anchor rod	M10	M12	M16
Perforated sleeve FIS H K	18x130/200		22x130/200
Group factors	$\alpha_{g,N \parallel}$	[-]	2
	$\alpha_{g,V \parallel}$		
	$\alpha_{g,N \perp}$		
	$\alpha_{g,V \perp}$		
fischer injection system FIS V Plus for masonry			Annex C 68
Performance Vertical perforated brick HLz, dimensions, installation parameters			

Vertical perforated brick HLz, EN 771-1:2015

Table C69.1: Characteristic resistance under tension load (Pre-positioned anchorage)

Anchor rod		M6	M8	M6	M8	-	M8	M10	M8	M10	-	M12	M16	M12	M16
Internal threaded anchor FIS E		-	-			M6	M8			M10	M12				
						11x85				15x85					
Perforated sleeve FIS H K		12x50		12x85		16x85			16x130		20x85		20x130		
$N_{Rk} = N_{Rk,p} = N_{Rk,b}$ [kN] depending on the compressive strength f_b (temperature range 50/80°C)															
compressive strength f_b		use category													
6 N/mm ²	w/w	w/d	0,3	1,2	1,2			1,5		1,2		1,5			
	d/d		0,4	1,5	1,5			1,5		1,5		1,5			
8 N/mm ²	w/w	w/d	0,5	1,5	1,5			2,0		1,5		2,0			
	d/d		0,5	2,0	2,0			2,5		2,0		2,0			
10 N/mm ²	w/w	w/d	0,6	2,0	2,0			2,5		2,0		2,5			
	d/d		0,6	2,5	2,5			3,0		2,5		2,5			

Table C69.2: Characteristic resistance under tension load (Push through anchorage)

Anchor rod		M10		M12		M16	
Perforated sleeve FIS H K		18x130/200				22x130/200	
$N_{Rk} = N_{Rk,p} = N_{Rk,b}$ [kN] depending on the compressive strength f_b (temperature range 50/80°C)							
compressive strength f_b		use category					
6 N/mm ²	w/w	w/d					1,5
	d/d						1,5
8 N/mm ²	w/w	w/d					2,0
	d/d						2,5
10 N/mm ²	w/w	w/d					2,5
	d/d						3,0

Factor for job site tests and displacements see annex C110

Factor for temperature range 72/120°C: 0,83

fischer injection system FIS V Plus for masonry

Performance

Vertical perforated brick HLz, Characteristic resistance under tension load

Annex C 69

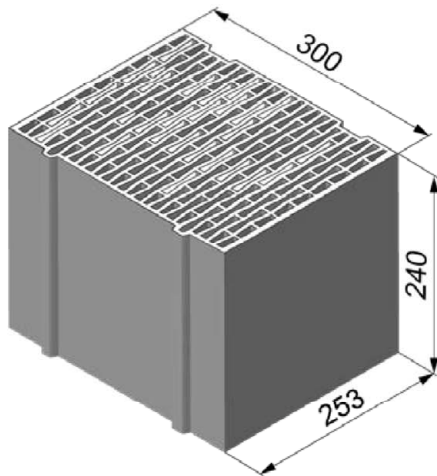
Vertical perforated brick HLz, EN 771-1:2015															
Table C70.1: Characteristic resistance under shear load (Pre-positioned anchorage)															
Anchor rod	M6	M8	M6	M8	-	M8	M10	M8	M10	-	M12	M16	M12	M16	
Internal threaded anchor FIS E	-		-		M6	M8	-		-		M10	M12	-		
					11x85						15x85				
Perforated sleeve FIS H K	12x50		12x85		16x85			16x130		20x85			20x130		
$V_{Rk} = V_{Rk,b} = V_{Rk,c}$ [kN] depending on the compressive strength f_b (temperature range 50/80°C and 72/120°C)															
compressive strength f_b	use category														
	w/w	w/d													
6 N/mm ²	w/w	w/d	1,5		1,5			1,5		2,5			1,5		2,0
	d/d														
8 N/mm ²	w/w	w/d	2,0		2,0			2,0		3,5			2,0		3,0
	d/d														
10 N/mm ²	w/w	w/d	2,5		3,0			3,0		4,5			3,0		3,5
	d/d														

Table C70.2: Characteristic resistance under shear load (Push through anchorage)														
Anchor rod	M10				M12				M16					
Perforated sleeve FIS H K	18x130/200								22x130/200					
$V_{Rk} = V_{Rk,b} = V_{Rk,c}$ [kN] depending on the compressive strength f_b (temperature range 50/80°C and 72/120°C)														
compressive strength f_b	use category													
	w/w	w/d												
6 N/mm ²	w/w	w/d												
	d/d		2,0											
8 N/mm ²	w/w	w/d												
	d/d		3,0											
10 N/mm ²	w/w	w/d												
	d/d		3,5											

Factor for job site tests and displacements see annex C110

fischer injection system FIS V Plus for masonry	Annex C 70
Performance Vertical perforated brick HLz, Characteristic resistance under shear load	

Vertical perforated brick HLz, EN 771-1:2015



Vertical perforated brick HLz, EN 771-1:2015			
Producer	e.g. Ziegelwerk Brenna		
Nominal dimensions [mm]	length L	width W	height H
	253	300	240
Density ρ [kg/dm ³]	≥ 0,8		
Compressive strength f_b [N/mm ²]	2 / 4 / 6		
Standard or annex	EN 771-1:2015		

Dimension see also Annex B 18

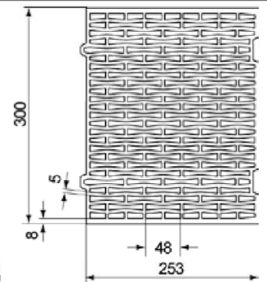


Table C71.1: Installation parameters
(Pre-positioned anchorage with perforated sleeve FIS H K)

Anchor rod	M6	M8	M6	M8	-	M8	M10	M8	M10	-	M12	M16	M12	M16
Internal threaded anchor FIS E	-	-	M6	M8	11x85	-	-	M10	M12	15x85	-	-	-	-
Perforated sleeve FIS H K	12x50	12x85	16x85		16x130		20x85		20x130					
Anchor rod and internal threaded anchor FIS E with perforated sleeve FIS H K														
Max. installation torque	T_{inst}	[Nm]	2											
General installation parameters														
Edge distance	C_{min}	[mm]	60											
Spacing	$S_{min \parallel} = S_{cr \parallel}$	[mm]	255											
	$S_{min \perp} = S_{cr \perp}$	[mm]	240											
Drilling method														
Hammer drilling with hard metal hammer drill														

Table C71.2: Group factors

Anchor rod	M6	M8	M6	M8	-	M8	M10	M8	M10	-	M12	M16	M12	M16
Internal threaded anchor FIS E	-	-	M6	M8	11x85	-	-	M10	M12	15x85	-	-	-	-
Perforated sleeve FIS H K	12x50	12x85	16x85		16x130		20x85		20x130					
Group factors	$\alpha_{g,N \parallel}$	[-]	2											
	$\alpha_{g,v \parallel}$													
	$\alpha_{g,N \perp}$													
	$\alpha_{g,v \perp}$													

fischer injection system FIS V Plus for masonry

Performance
Vertical perforated brick HLz, dimensions, installation parameters

Annex C 71

Vertical perforated brick HLz, EN 771-1:2015			
Table C72.1: Installation parameters (Push through anchorage with perforated sleeve FIS H K)			
Anchor rod	M10	M12	M16
Perforated sleeve FIS H K	18x130/200		22x130/200
Anchor rod with perforated sleeve FIS H K			
Max. installation torque	T_{inst} [Nm]	2	
General installation parameters			
Edge distance	C_{min}	60	
Spacing	$S_{min \parallel} = S_{cr \parallel}$	255	
	$S_{min \perp} = S_{cr \perp}$	240	
Drilling method			
Hammer drilling with hard metal hammer drill			
Table C72.2: Group factors			
Anchor rod	M10	M12	M16
Perforated sleeve FIS H K	18x130/200		22x130/200
Group factors	$\alpha_{g,N \parallel}$	[-]	2
	$\alpha_{g,V \parallel}$		
	$\alpha_{g,N \perp}$		
	$\alpha_{g,V \perp}$		
fischer injection system FIS V Plus for masonry			Annex C 72
Performance Vertical perforated brick HLz, dimensions, installation parameters			

Vertical perforated brick HLz, EN 771-1:2015

Table C73.1: Characteristic resistance under tension load (Pre-positioned anchorage)

Anchor rod	M6	M8	M6	M8	-	M8	M10	M8	M10	-	M12	M16	M12	M16
Internal threaded anchor FIS E	-	-	M6	M8	11x85	-	-	M10	M12	15x85	-	-	-	-
Perforated sleeve FIS H K	12x50	12x85	16x85			16x130			20x85			20x130		
$N_{Rk} = N_{Rk,p} = N_{Rk,b}$ [kN] depending on the compressive strength f_b (temperature range 50/80°C)														
compressive strength f_b	use category													
2 N/mm ²	w/w	w/d	- ¹⁾	0,5	0,5			0,4	0,5			0,4		
	d/d		0,3	0,5	0,5			0,5	0,5			0,5		
4 N/mm ²	w/w	w/d	0,5	0,9	0,9			0,9	0,9			0,9		
	d/d		0,6	0,9	0,9			0,9	0,9			0,9		
6 N/mm ²	w/w	w/d	0,75	1,5	1,5			1,2	1,5			1,2		
	d/d		0,9	1,5	1,5			1,5	1,5			1,5		

¹⁾ No performance assessed

Table C73.2: Characteristic resistance under tension load (Push through anchorage)

Anchor rod	M10		M12		M16	
Perforated sleeve FIS H K	18x130/200				22x130/200	
$N_{Rk} = N_{Rk,p} = N_{Rk,b}$ [kN] depending on the compressive strength f_b (temperature range 50/80°C)						
compressive strength f_b	use category					
2 N/mm ²	w/w	w/d	0,4			
	d/d		0,5			
4 N/mm ²	w/w	w/d	0,9			
	d/d		0,9			
6 N/mm ²	w/w	w/d	1,2			
	d/d		1,5			

Factor for job site tests and displacements see annex C110

Factor for temperature range 72/120°C: 0,83

fischer injection system FIS V Plus for masonry

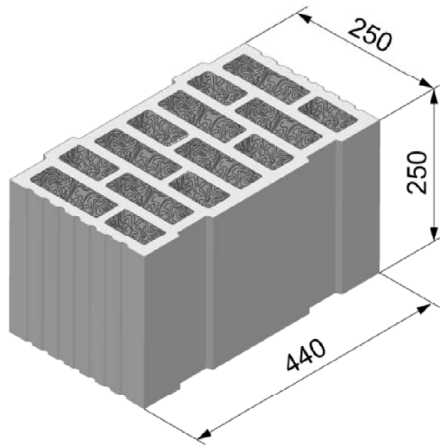
Performance

Vertical perforated brick HLz, Characteristic resistance under tension load

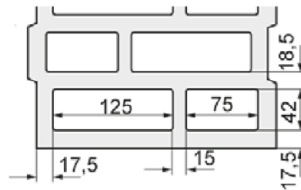
Annex C 73

Vertical perforated brick HLz, EN 771-1:2015														
Table C74.1: Characteristic resistance under shear load (Pre-positioned anchorage)														
Anchor rod	M6	M8	M6	M8	-	M8	M10	M8	M10	-	M12	M16	M12	M16
Internal threaded anchor FIS E	-		-		M6	M8	-		-		M10	M12	-	
					11x85						15x85			
Perforated sleeve FIS H K	12x50		12x85		16x85			16x130		20x85			20x130	
$V_{Rk} = V_{Rk,b} = V_{Rk,c}$ [kN] depending on the compressive strength f_b (temperature range 50/80°C and 72/120°C)														
compressive strength f_b	use category													
	w/w	w/d												
2 N/mm ²	d/d		0,5										0,6	
	w/w	w/d											1,2	
4 N/mm ²	d/d		0,9										1,2	
	w/w	w/d											1,5	
6 N/mm ²	d/d		1,5										1,5	
	w/w	w/d												
Table C74.2: Characteristic resistance under shear load (Push through anchorage)														
Anchor rod	M10				M12				M16					
Perforated sleeve FIS H K	18x130/200				22x130/200									
$V_{Rk} = V_{Rk,b} = V_{Rk,c}$ [kN] depending on the compressive strength f_b (temperature range 50/80°C and 72/120°C)														
compressive strength f_b	use category													
	w/w	w/d												
2 N/mm ²	d/d		0,5										0,6	
	w/w	w/d											1,2	
4 N/mm ²	d/d		0,9										1,2	
	w/w	w/d											1,5	
6 N/mm ²	d/d		1,5										1,5	
	w/w	w/d												
Factor for job site tests and displacements see annex C110														
fischer injection system FIS V Plus for masonry												Annex C 74		
Performance Vertical perforated brick HLz, Characteristic resistance under shear load														

Vertical perforated brick HLz, Porotherm W 44, filled with mineral wool, EN 771-1:2015



Vertical perforated brick HLz, Porotherm W 44, filled with mineral wool, EN 771-1:2015			
Producer	-		
Nominal dimensions [mm]	length L	width W	height H
	250	440	250
Density ρ [kg/dm ³]	0,7		
Compressive strength f_b [N/mm ²]	6 / 8 / 10		
Standard or annex	EN 771-1:2015		



Dimension see also Annex B 18

Table C75.1: Installation parameters
(Pre-positioned anchorage with perforated sleeve FIS H K)

Anchor rod	M6	M8	M6	M8	-	M8	M10	M8	M10	-	M12	M16	M12	M16	M12	M16
Internal threaded anchor FIS E	-	-	M6	M8		-	-	M10	M12		-	-	-			
			11x85					15x85								
Perforated sleeve FIS H K	12x50		12x85		16x85			16x130			20x85		20x130		20x200	

Anchor rod and internal threaded anchor FIS E with perforated sleeve FIS H K

Max. installation torque	T_{inst} [Nm]	2			5	2	5	6			
--------------------------	-----------------	---	--	--	---	---	---	---	--	--	--

General installation parameters

Edge distance	C_{min}						60
Spacing	$S_{min II}$						80
	$S_{cr II}$	[mm]					250
	$S_{min \perp}$						80
	$S_{cr \perp}$						250

Drilling method

Rotary drilling with carbide drill

Table C75.2: Group factors

Anchor rod	M6	M8	M6	M8	-	M8	M10	M8	M10	-	M12	M16	M12	M16	M12	M16
Internal threaded anchor FIS E	-	-	M6	M8		-	-	M10	M12		-	-	-			
			11x85					15x85								
Perforated sleeve FIS H K	12x50		12x85		16x85			16x130			20x85		20x130		20x200	

Group factors	$\alpha_{g,N II}$	[-]						1,3
	$\alpha_{g,V II}$							1,3
	$\alpha_{g,N \perp}$							0,8
	$\alpha_{g,V \perp}$							1,3

fischer injection system FIS V Plus for masonry

Performance

Vertical perforated brick HLz, Porotherm W 44, filled with mineral wool;
dimensions, installation parameters

Annex C 75

Vertical perforated brick HLz, Porothersm W 44, filled with mineral wool, EN 771-1:2015

Table C76.1: Installation parameters
(Push through anchorage with perforated sleeve FIS H K)

Anchor rod		M10	M12	M16
Perforated sleeve FIS H K		18x130/200		22x130/200
Anchor rod with perforated sleeve FIS H K				
Max. installation torque	T_{inst} [Nm]	5		6
General installation parameters				
Edge distance	c_{min}			60
Spacing	$s_{min \parallel}$			80
	$s_{cr \parallel}$			250
	$s_{min \perp}$			80
	$s_{cr \perp}$			250
Drilling method				
Rotary drilling with carbide drill				

Table C76.2: Group factors

Anchor rod		M10	M12	M16
Perforated sleeve FIS H K		18x130/200		22x130/200
Group factors	$\alpha_{g,N \parallel}$			1,3
	$\alpha_{g,V \parallel}$			1,3
	$\alpha_{g,N \perp}$			0,8
	$\alpha_{g,V \perp}$			1,3

fischer injection system FIS V Plus for masonry

Performance

Vertical perforated brick HLz, Porothersm W 44, filled with mineral wool;
dimensions, installation parameters

Annex C 76

Vertical perforated brick HLz, Porothersm W 44, filled with mineral wool, EN 771-1:2015

Table C77.1: Characteristic resistance under tension load (Pre-positioned anchorage)

Anchor rod	M6	M8	M6	M8	-	M8	M10	M8	M10	-	M12	M16	M12	M16	M12	M16
Internal threaded anchor FIS E	-	-	-	-	M6 M8 11x85	-	-	-	-	M10 M12 15x85	-	-	-	-	-	-
Perforated sleeve FIS H K	12x50		12x85		16x85			16x130		20x85			20x130		20x200	
$N_{Rk} = N_{Rk,p} = N_{Rk,b}$ [kN] depending on the compressive strength f_b (temperature range 50/80°C)																
compressive strength f_b	use category															
6 N/mm ²	w/w	w/d	0,75	1,5	1,2			1,5			2,5					
	d/d		0,9	1,5	1,2			1,5			2,5					
8 N/mm ²	w/w	w/d	0,9	1,5	1,2			1,5			2,5					
	d/d		0,9	2,0	1,5			2,0			3,0					
10 N/mm ²	w/w	w/d	0,9	2,0	1,5			2,0			3,0					
	d/d		1,2	2,0	1,5			2,0			3,5					

Table C77.2: Characteristic resistance under tension load (Push through anchorage)

Anchor rod	M10		M12		M16	
Perforated sleeve FIS H K	18x130/200				22x130/200	
$N_{Rk} = N_{Rk,p} = N_{Rk,b}$ [kN] depending on the compressive strength f_b (temperature range 50/80°C)						
compressive strength f_b	use category					
6 N/mm ²	w/w	w/d	1,5			
	d/d		1,5			
8 N/mm ²	w/w	w/d	1,5			
	d/d		2,0			
10 N/mm ²	w/w	w/d	2,0			
	d/d		2,0			

Factor for job site tests and displacements see annex C110

Factor for temperature range 72/120°C: 0,83

fischer injection system FIS V Plus for masonry

Performance

Vertical perforated brick HLz, Porothersm W 44, filled with mineral wool,
Characteristic resistance under tension load

Annex C 77

Vertical perforated brick HLz, Porotherm W 44, filled with mineral wool, EN 771-1:2015

Table C78.1: Characteristic resistance under shear load (Pre-positioned anchorage)

Anchor rod	M6	M8	M6	M8	-	M8	M10	M8	M10	-	M12	M16	M12	M16	M12	M16
Internal threaded anchor FIS E	-	-	-	-	M6	M8	-	-	M10	M12	-	-	-	-	-	-
					11x85				15x85							
Perforated sleeve FIS H K	12x50		12x85		16x85			16x130		20x85			20x130		20x200	

$V_{Rk} = V_{Rk,b} = V_{Rk,c}$ [kN] depending on the compressive strength f_b (temperature range 50/80°C and 72/120°C)

compressive strength f_b	use category							
		w/w	w/d					
6 N/mm ²	w/w	w/d	0,9		1,2	0,9	1,2	1,2
	d/d							
8 N/mm ²	w/w	w/d	0,9		1,5	0,9	1,5	1,2
	d/d							
10 N/mm ²	w/w	w/d	1,2		1,5	1,2	1,5	1,5
	d/d							

Table C78.2: Characteristic resistance under shear load (Push through anchorage)

Anchor rod	M10	M12	M16
Perforated sleeve FIS H K	18x130/200		22x130/200

$V_{Rk} = V_{Rk,b} = V_{Rk,c}$ [kN] depending on the compressive strength f_b (temperature range 50/80°C and 72/120°C)

compressive strength f_b	use category				
		w/w	w/d		
6 N/mm ²	w/w	w/d	1,2		1,2
	d/d				
8 N/mm ²	w/w	w/d	1,5		1,5
	d/d				
10 N/mm ²	w/w	w/d	1,5		1,5
	d/d				

Factor for job site tests and displacements see annex C110

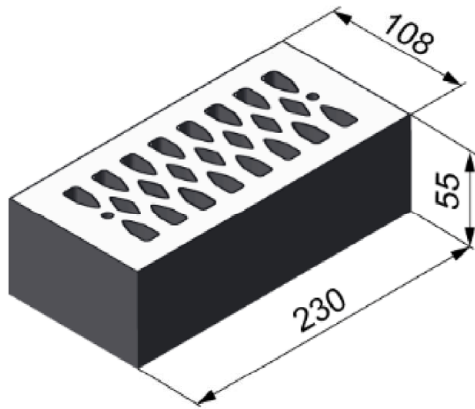
fischer injection system FIS V Plus for masonry

Performance

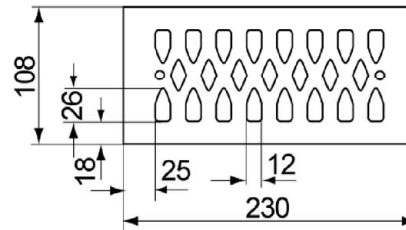
Vertical perforated brick HLz, Porotherm W 44, filled with mineral wool;
Characteristic resistance under shear load

Annex C 78

Vertical perforated brick HLz, EN 771-1:2015



Vertical perforated brick HLz, EN 771-1:2015			
Producer	e.g. Wienerberger.		
Nominal dimensions [mm]	length L	width W	height H
	230	108	55
Density ρ [kg/dm ³]	$\geq 1,4$		
Compressive strength f_b [N/mm ²]	2 / 4 / 6 / 8		
Standard or annex	EN 771-1:2015		



Dimension see also Annex B 18

Table C79.1: Installation parameters

Anchor rod	M6	M8	M6	M8	-	M8	M10	-	M12	M16
Internal threaded anchor FIS E	-		-		M6	M8	-		M10	M12
	-		-		11x85		-		15x85	
Perforated sleeve FIS H K	12x50		12x85		16x85			20x85		
Anchor rod and internal threaded anchor FIS E with perforated sleeve FIS H K										
Max. installation torque	T_{inst}	[Nm]	2							
General installation parameters										
Edge distance	c_{min}		60							
Spacing	$s_{min \parallel}$	[mm]	80							
	$s_{scr \parallel}$		230							
	$s_{min \perp}$		60							
	$s_{scr \perp}$		60							
				60						
Drilling method										
Hammer drilling with hard metal hammer drill										

Table C79.2: Group factors

Anchor rod	M6	M8	M6	M8	-	M8	M10	-	M12	M16
Internal threaded anchor FIS E	-		-		M6	M8	-		M10	M12
	-		-		11x85		-		15x85	
Perforated sleeve FIS H K	12x50		12x85		16x85			20x85		
Group factors	$\alpha_{g,N \parallel}$	[-]	2							
	$\alpha_{g,V \parallel}$		2							
	$\alpha_{g,N \perp}$		2							
	$\alpha_{g,V \perp}$		2							

fischer injection system FIS V Plus for masonry

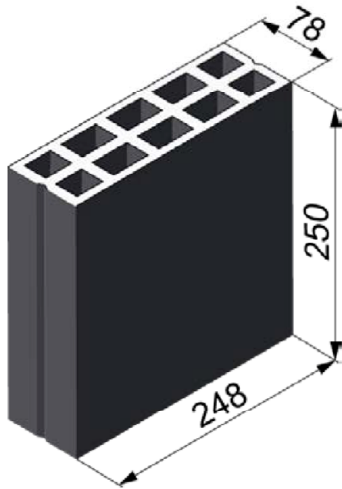
Performance

Vertical perforated brick HLz, dimensions, installation parameters

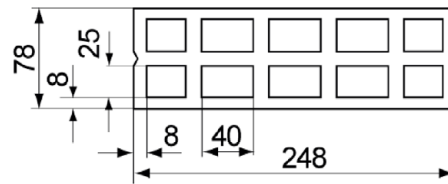
Annex C 79

Vertical perforated brick HLz, EN 771-1:2015											
Table C80.1: Characteristic resistance under tension load ¹⁾											
Anchor rod	M6	M8	M6	M8	-	M8	M10	-	M12	M16	
Internal threaded anchor FIS E	-		-		M6	M8	-		M10	M12	-
					11x85				15x85		
Perforated sleeve FIS H K	12x50		12x85		16x85			20x85			
N _{Rk} = N _{Rk,p} = N _{Rk,b} [kN] depending on the compressive strength f _b (temperature range 50/80°C)											
compressive strength f _b	use category										
2 N/mm ²	w/w	w/d	0,3	0,9	0,75			0,5			
	d/d		0,3	0,9	0,9			0,6			
4 N/mm ²	w/w	w/d	0,6	1,5	1,5			0,9			
	d/d		0,75	2,0	1,5			1,2			
6 N/mm ²	w/w	w/d	0,9	2,5	2,5			1,5			
	d/d		0,9	3,0	2,5			1,5			
8 N/mm ²	w/w	w/d	1,2	3,5	3,0			2,0			
	d/d		1,5	4,0	3,5			2,5			
¹⁾ If the fixing is in a solid area, for w/w, the characteristic value shall be reduced with the factor 0,64. Factor for temperature range 72/120°C: 0,83											
Table C80.2: Characteristic resistance under shear load											
Anchor rod	M6	M8	M6	M8	-	M8	M10	-	M12	M16	
Internal threaded anchor FIS E	-		-		M6	M8	-		M10	M12	-
					11x85				15x85		
Perforated sleeve FIS H K	12x50		12x85		16x85			20x85			
V _{Rk} = V _{Rk,b} = V _{Rk,c} [kN] depending on the compressive strength f _b (temperature range 50/80°C and 72/120°C)											
compressive strength f _b	use category										
2 N/mm ²	w/w	w/d			0,6			0,4			
	d/d										
4 N/mm ²	w/w	w/d			1,2			0,9			
	d/d										
6 N/mm ²	w/w	w/d			1,5			1,2			
	d/d										
8 N/mm ²	w/w	w/d			2,5			1,5			
	d/d										
Factor for job site tests and displacements see annex C110											
fischer injection system FIS V Plus for masonry										Annex C 80	
Performance Vertical perforated brick HLz, Characteristic resistance under tension and shear load											

Horizontal perforated brick LLz, EN 771-1:2015



Horizontal perforated brick LLz, EN 771-1:2015			
Producer	-		
Nominal dimensions [mm]	length L	width W	height H
	250	78	248
Density ρ [kg/dm ³]	$\geq 0,7$		
Compressive strength f_b [N/mm ²]	2 / 4 / 6		
Standard or annex	EN 771-1:2015		



Dimension see also Annex B 19

Table C81.1: Installation parameters

Anchor rod		M6	M8
Perforated sleeve FIS H K		12x50	
Anchor rod with perforated sleeve FIS H K			
Max. installation torque	T_{inst} [Nm]	2	
General installation parameters			
Edge distance	c_{min}	100	
Spacing	$s_{min \parallel}$	75	
	$s_{cr \parallel}$	250	
	$s_{min \perp} = s_{cr \perp}$	250	
Drilling method			
Hammer drilling with hard metal hammer drill			

Table C81.2: Group factors

Anchor rod		M6	M8
Perforated sleeve FIS H K		12x50	
Group factors	$\alpha_{g,N \parallel}$	1,6	
	$\alpha_{g,V \parallel}$	1,1	
	$\alpha_{g,N \perp}$	2,0	
	$\alpha_{g,V \perp}$		

fischer injection system FIS V Plus for masonry

Performance
Horizontal perforated brick LLz, dimensions, installation parameters

Annex C 81

Horizontal perforated brick LLz, EN 771-1:2015

Table C82.1: Characteristic resistance under tension load

Anchor rod		M6	M8
Perforated sleeve FIS H K		12x50	
$N_{Rk} = N_{Rk,p} = N_{Rk,b}$ [kN] depending on the compressive strength f_b (temperature range 50/80°C)			
compressive strength f_b	use category		
2 N/mm ²	w/w	w/d	0,5
	d/d		0,6
4 N/mm ²	w/w	w/d	0,9
	d/d		1,2
6 N/mm ²	w/w	w/d	1,5
	d/d		1,5

Factor for temperature range 72/120°C: 0,83

Table C82.2: Characteristic resistance under shear load

Anchor rod		M6	M8
Perforated sleeve FIS H K		12x50	
$V_{Rk} = V_{Rk,b} = V_{Rk,c}$ [kN] depending on the compressive strength f_b (temperature range 50/80°C and 72/120°C)			
compressive strength f_b	use category		
2 N/mm ²	w/w	w/d	0,5
	d/d		
4 N/mm ²	w/w	w/d	0,9
	d/d		
6 N/mm ²	w/w	w/d	1,5
	d/d		

Factor for job site tests and displacements see annex C110

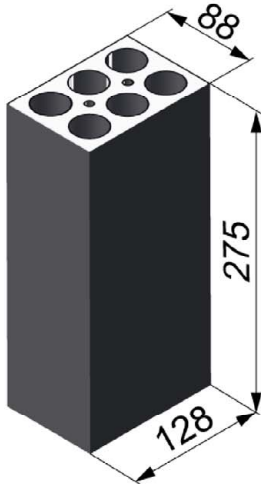
fischer injection system FIS V Plus for masonry

Performance

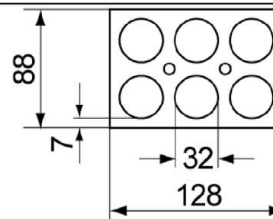
Horizontal perforated brick LLz, Characteristic resistance under tension and shear load

Annex C 82

Horizontal perforated brick LLz, EN 771-1:2015



Horizontal perforated brick LLz, EN 771-1:2015			
Producer	e.g. Ceramica Farreny S.A.		
Nominal dimensions [mm]	length L	width W	height H
	275	88	128
Density ρ [kg/dm ³]	≥ 0,8		
Compressive strength f_b [N/mm ²]	2		
Standard or annex	EN 771-1:2015		



Dimension see also
Annex B 19

Table C83.1: Installation parameters

Anchor rod		M6	M8
Perforated sleeve FIS H K		12x50	
Anchor rod with perforated sleeve FIS H K			
Max. installation torque	T_{inst} [Nm]	2	
General installation parameters			
Edge distance	c_{min}	60	
Spacing	$s_{min \parallel}$	75	
	$s_{scr \parallel}$ [mm]	275	
	$s_{min \perp}$	75	
	$s_{scr \perp}$	130	
Drilling method			
Hammer drilling with hard metal hammer drill			

Table C83.2: Group factors

Anchor rod		M6	M8
Perforated sleeve FIS H K		12x50	
Group factors	$\alpha_{g,N \parallel}$	1,3	
	$\alpha_{g,V \parallel}$	1,5	
	$\alpha_{g,N \perp}$	1,3	
	$\alpha_{g,V \perp}$	1,5	

fischer injection system FIS V Plus for masonry

Performance
Horizontal perforated brick LLz, dimensions, installation parameters

Annex C 83

Horizontal perforated brick LLz, EN 771-1:2015

Table C84.1: Characteristic resistance under tension load

Anchor rod		M6	M8
Perforated sleeve FIS H K		12x50	
$N_{Rk} = N_{Rk,p} = N_{Rk,b}$ [kN] depending on the compressive strength f_b (temperature range 50/80°C)			
compressive strength f_b	use category		
2 N/mm ²	w/w	w/d	1,5
	d/d		

Factor for temperature range 72/120°C: 0,83

Table C84.2: Characteristic resistance under shear load

Anchor rod		M6	M8
Perforated sleeve FIS H K		12x50	
$V_{Rk} = V_{Rk,b} = V_{Rk,c}$ [kN] depending on the compressive strength f_b (temperature range 50/80°C and 72/120°C)			
compressive strength f_b	use category		
2 N/mm ²	w/w	w/d	1,2
	d/d		

Factor for job site tests and displacements see annex C110

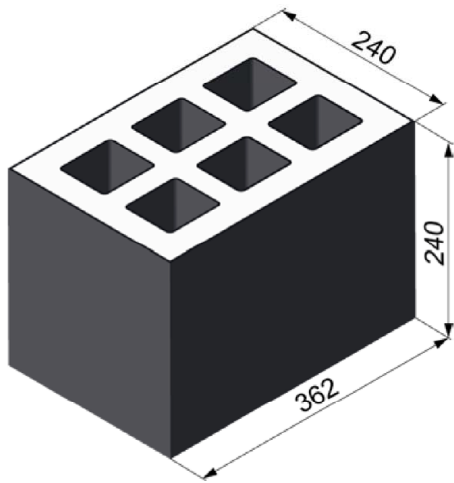
fischer injection system FIS V Plus for masonry

Performance

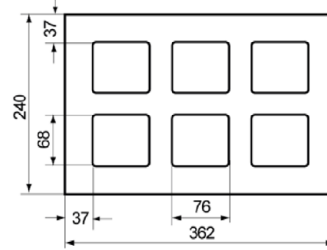
Horizontal perforated brick LLz, Characteristic resistance under tension and shear load

Annex C 84

Light-weight concrete hollow block Hbl, EN 771-3:2015



Light-weight concrete hollow block Hbl, EN 771-3:2015			
Producer	-		
Nominal dimensions [mm]	Länge L	Breite B	Höhe H
	362	240	240
Density ρ [kg/dm ³]	≥ 1,0		
Compressive strength f_b [N/mm ²]	2 / 4		
Standard or annex	EN 771-3:2015		



Dimension see also Annex B 19

Table C85.1: Installation parameters
(Pre-positioned anchorage with perforated sleeve FIS H K)

Anchor rod	M6	M8	M6	M8	-	M8	M10	M8	M10	-	M12	M16	M12	M16	M12	M16
Internal threaded anchor FIS E	-	-	-	-	M6	M8	-	-	-	M10	M12	-	-	-	-	-
					11x85					15x85						
Perforated sleeve FIS H K	12x50		12x85		16x85			16x130		20x85			20x130		20x200	
Anchor rod and internal threaded anchor FIS E with perforated sleeve FIS H K																
Max. installation torque	T_{inst}	[Nm]	2													
General installation parameters																
Edge distance	C_{min}	[mm]	60													
Spacing	$S_{min \parallel}$		100													
	$S_{cr \parallel}$		362													
	$S_{min \perp} = S_{cr \perp}$		240													
Drilling method																
Hammer drilling with hard metal hammer drill																

Table C85.2: Group factors

Anchor rod	M6	M8	M6	M8	-	M8	M10	M8	M10	-	M12	M16	M12	M16	M12	M16
Internal threaded anchor FIS E	-	-	-	-	M6	M8	-	-	-	M10	M12	-	-	-	-	-
					11x85					15x85						
Perforated sleeve FIS H K	12x50		12x85		16x85			16x130		20x85			20x130		20x200	
Group factors	$\alpha_{g,N \parallel}$	[-]	1,2													
	$\alpha_{g,v \parallel}$		1,1													
	$\alpha_{g,N \perp}$		2,0													
	$\alpha_{g,v \perp}$		2,0													

fischer injection system FIS V Plus for masonry

Performance
Light-weight concrete hollow block Hbl, dimensions, installation parameters

Annex C 85

Light-weight concrete hollow block Hbl, EN 771-3:2015

Table C86.1: Installation parameters
(Push through anchorage with perforated sleeve FIS H K)

Anchor rod		M10	M12	M16
Perforated sleeve FIS H K		18x130/200		22x130/200
Anchor rod with perforated sleeve FIS H K				
Max. installation torque	T_{inst}	[Nm]	2	
General installation parameters				
Edge distance	c_{min}	[mm]	60	
Spacing	$s_{min \parallel}$		100	
	$s_{cr \parallel}$		362	
	$s_{min \perp} = s_{cr \perp}$		240	
Drilling method				
Hammer drilling with hard metal hammer drill				

Table C86.2: Group factors

Anchor rod		M10	M12	M16
Perforated sleeve FIS H K		18x130/200		22x130/200
Group factors	$\alpha_{g,N \parallel}$	[-]	1,2	
	$\alpha_{g,V \parallel}$		1,1	
	$\alpha_{g,N \perp}$		2,0	
	$\alpha_{g,V \perp}$			

fischer injection system FIS V Plus for masonry

Performance
Light-weight concrete hollow block Hbl, dimensions, installation parameters

Annex C 86

Light-weight concrete hollow block Hbl, EN 771-3:2015																				
Table C87.1: Characteristic resistance under tension load (Pre-positioned anchorage)																				
Anchor rod		M6	M8	M6	M8	-		M8	M10	M8	M10	-		M12	M16	M12	M16	M12	M16	
Internal threaded anchor FIS E		-		-		M6	M8	-		-		M10	M12	-		-		-		
						11x85						15x85								
Perforated sleeve FIS H K		12x50		12x85		16x85			16x130			20x85			20x130		20x200			
N _{Rk} = N _{Rk,p} = N _{Rk,b} [kN] depending on the compressive strength f _b (temperature range 50/80°C)																				
compressive strength f _b		use category																		
2 N/mm ²	w/w	w/d	1,2								1,5								2,5	
	d/d		1,2								1,5								2,5	
4 N/mm ²	w/w	w/d	2,0								3,0								5,0	
	d/d		2,5								3,0								5,5	
Table C87.2: Characteristic resistance under tension load (Push through anchorage)																				
Anchor rod		M10				M12				M16										
Perforated sleeve FIS H K		18x130/200								22x130/200										
N _{Rk} = N _{Rk,p} = N _{Rk,b} [kN] depending on the compressive strength f _b (temperature range 50/80°C)																				
compressive strength f _b		use category																		
2 N/mm ²	w/w	w/d																	1,5	
	d/d																		1,5	
4 N/mm ²	w/w	w/d																	3,0	
	d/d																		3,0	
Factor for job site tests and displacements see annex C110																				
Factor for temperature range 72/120°C: 0,83																				
fischer injection system FIS V Plus for masonry																Annex C 87				
Performance		Light-weight concrete hollow block Hbl, Characteristic resistance under tension load																		

Light-weight concrete hollow block Hbl, EN 771-3:2015

Table C88.1: Characteristic resistance under shear load (Pre-positioned anchorage)

Anchor rod	M6	M8	M6	M8	-	M8	M10	M8	M10	-	M12	M16	M12	M16	M12	M16
Internal threaded anchor FIS E	-		-		M6	M8	-		-		M10	M12	-		-	
					11x85						15x85					
Perforated sleeve FIS H K	12x50		12x85		16x85			16x130		20x85			20x130		20x200	

$V_{Rk} = V_{Rk,b} = V_{Rk,c}$ [kN] depending on the compressive strength f_b (temperature range 50/80°C and 72/120°C)

compressive strength f_b	use category		
	w/w	w/d	
2 N/mm ²	w/w	w/d	0,9
	d/d		
4 N/mm ²	w/w	w/d	2,0
	d/d		

Table C88.2: Characteristic resistance under shear load (Push through anchorage)

Anchor rod	M10	M12	M16
Perforated sleeve FIS H K	18x130/200		22x130/200

$V_{Rk} = V_{Rk,b} = V_{Rk,c}$ [kN] depending on the compressive strength f_b (temperature range 50/80°C and 72/120°C)

compressive strength f_b	use category		
	w/w	w/d	
2 N/mm ²	w/w	w/d	0,9
	d/d		
4 N/mm ²	w/w	w/d	2,0
	d/d		

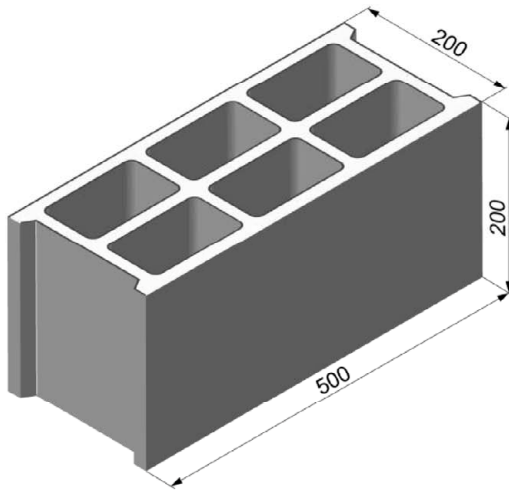
Factor for job site tests and displacements see annex C110

fischer injection system FIS V Plus for masonry

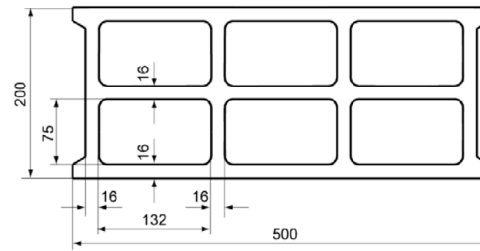
Performance
Light-weight concrete hollow block Hbl, Characteristic resistance under shear load

Annex C 88

Light-weight concrete hollow block Hbl, EN 771-3:2015



Light-weight concrete hollow block Hbl, EN 771-3:2015			
Producer	e.g. Sepa		
Nominal dimensions [mm]	length L	width W	height H
	500	200	200
Density ρ [kg/dm ³]	≥ 1,0		
Compressive strength f_b [N/mm ²]	2 / 4 / 6		
Standard or annex	EN 771-1:2015		



Dimension see also Annex B 19

Table C89.1: Installation parameters

Anchor rod	M6	M8	M6	M8	-	M8	M10	M8	M10	M10	M12	-	M12	M16
Internal threaded anchor FIS E	-	-	M6	M8	11x85	-	-	-	-	-	-	M10	M12	-
Perforated sleeve FIS H K	12x50	12x85	16x85		16x130	18x130/200	20x85							
Anchor rod and internal threaded anchor FIS E with perforated sleeve FIS H K														
Max. installation torque T_{inst} [Nm]	1				2									
General installation parameters														
Edge distance C_{min}					100									
Spacing S_{min}	$S_{min} \parallel = S_{cr} \parallel$				500									
	$S_{min} \perp = S_{cr} \perp$				200									
Drilling method														
Hammer drilling with hard metal hammer drill														

Table C89.2: Group factors

Anchor rod	M6	M8	M6	M8	-	M8	M10	M8	M10	M10	M12	-	M12	M16
Internal threaded anchor FIS E	-	-	M6	M8	11x85	-	-	-	-	-	-	M10	M12	-
Perforated sleeve FIS H K	12x50	12x85	16x85		16x130	18x130/200	20x85							
Group factors	$\alpha_{g,N} \parallel$	2												
	$\alpha_{g,v} \parallel$													
	$\alpha_{g,N} \perp$													
	$\alpha_{g,v} \perp$													

fischer injection system FIS V Plus for masonry

Performance

Light-weight concrete hollow block Hbl, dimensions, installation parameters

Annex C 89

Light-weight concrete hollow block Hbl, EN 771-3:2015

Table C90.1: Characteristic resistance under tension load

Anchor rod	M6	M8	M6	M8	-	M8	M10	M8	M10	M10	M12	-	M12	M16	
Internal threaded anchor FIS E	-		-		M6	M8	-		-		-		M10	M12	-
					11x85								15x85		-
Perforated sleeve FIS H K	12x50		12x85		16x85			16x130		18x130/200		20x85			

$N_{Rk} = N_{Rk,p} = N_{Rk,b}$ [kN] depending on the compressive strength f_b (temperature range 50/80°C)

compressive strength f_b	use category		
	w/w	w/d	
2 N/mm ²	w/w	w/d	0,4
	d/d		0,5
4 N/mm ²	w/w	w/d	0,9
	d/d		0,9
6 N/mm ²	w/w	w/d	1,2
	d/d		1,5

Factor for temperature range 72/120°C: 0,83

Table C90.2: Characteristic resistance under shear load

Anchor rod	M6	M8	M6	M8	-	M8	M10	M8	M10	M10	M12	-	M12	M16	
Internal threaded anchor FIS E	-		-		M6	M8	-		-		-		M10	M12	-
					11x85								15x85		-
Perforated sleeve FIS H K	12x50		12x85		16x85			16x130		18x130/200		20x85			

$V_{Rk} = V_{Rk,b} = V_{Rk,c}$ [kN] depending on the compressive strength f_b (temperature range 50/80°C and 72/120°C)

compressive strength f_b	use category		
	w/w	w/d	
2 N/mm ²	w/w	w/d	0,9
	d/d		
4 N/mm ²	w/w	w/d	1,5
	d/d		
6 N/mm ²	w/w	w/d	2,5
	d/d		

Factor for job site tests and displacements see annex C110

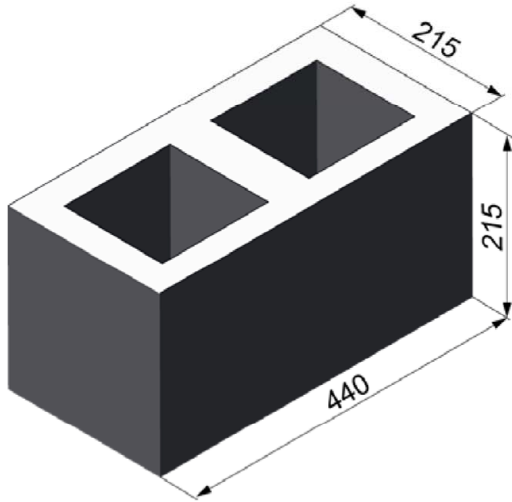
fischer injection system FIS V Plus for masonry

Performance

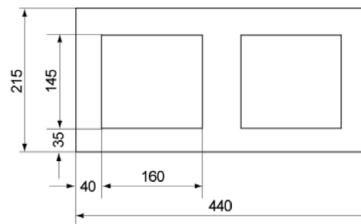
Light-weight concrete hollow block Hbl,
Characteristic resistance under tension and shear load

Annex C 90

Light-weight concrete hollow block Hbl, EN 771-3:2015



Light-weight concrete hollow block Hbl, EN 771-3:2015			
Producer	e.g. Roadstone wood		
Nominal dimensions [mm]	length L	width W	height H
	440	215	215
Density ρ [kg/dm ³]	≥ 1,2		
Compressive strength f_b [N/mm ²]	4 / 6 / 8 / 10		
Standard or annex	EN 771-3:2015		



Dimension see also Annex B 19

Table C91.1: Installation parameters
(Pre-positioned anchorage with perforated sleeve FIS H K)

Anchor rod	M6	M8	M6	M8	-	M8	M10	M8	M10	-	M12	M16	M12	M16
Internal threaded anchor FIS E	-	-	M6	M8	11x85	-	-	M10	M12	15x85	-	-	-	-
Perforated sleeve FIS H K	12x50	12x85	16x85		16x130		20x85		20x130					

Anchor rod and internal threaded anchor FIS E with perforated sleeve FIS H K

Max. installation torque	T_{inst} [Nm]	2												
--------------------------	-----------------	---	--	--	--	--	--	--	--	--	--	--	--	--

General installation parameters

Edge distance	C_{min}	110												
	$S_{min II}$	100												
	$S_{scr II}$ [mm]	440												
	$S_{min \perp}$	100												
	$S_{scr \perp}$	215												

Drilling method

Hammer drilling with hard metal hammer drill

Table C91.2: Group factors

Anchor rod	M6	M8	M6	M8	-	M8	M10	M8	M10	-	M12	M16	M12	M16
Internal threaded anchor FIS E	-	-	M6	M8	11x85	-	-	M10	M12	15x85	-	-	-	-
Perforated sleeve FIS H K	12x50	12x85	16x85		16x130		20x85		20x130					

Group factors	$\alpha_{g,N II}$	[-]	1,4											
	$\alpha_{g,v II}$		2,0											
	$\alpha_{g,N \perp}$		1,4											
	$\alpha_{g,v \perp}$		1,2											

fischer injection system FIS V Plus for masonry

Performance
Light-weight concrete hollow block Hbl, dimensions, installation parameters

Annex C 91

Light-weight concrete hollow block Hbl, EN 771-3:2015

Table C92.1: Installation parameters
(Push through anchorage with perforated sleeve FIS H K)

Anchor rod		M10	M12	M16
Perforated sleeve FIS H K		18x130/200		22x130/200
Anchor rod with perforated sleeve FIS H K				
Max. installation torque	T_{inst}	[Nm]	2	
General installation parameters				
Edge distance	c_{min}		110	
Spacing	$s_{min \parallel}$	[mm]	100	
	$s_{cr \parallel}$		440	
	$s_{min \perp}$		100	
	$s_{cr \perp}$		215	
Drilling method				
Hammer drilling with hard metal hammer drill				

Table C92.2: Group factors

Anchor rod		M10	M12	M16
Perforated sleeve FIS H K		18x130/200		22x130/200
Group factors	$\alpha_{g,N \parallel}$	[-]	1,4	
	$\alpha_{g,V \parallel}$		2,0	
	$\alpha_{g,N \perp}$		1,4	
	$\alpha_{g,V \perp}$		1,2	

fischer injection system FIS V Plus for masonry

Performance
Light-weight concrete hollow block Hbl, dimensions, installation parameters

Annex C 92

Light-weight concrete hollow block Hbl, EN 771-3:2015

Table C93.1: Characteristic resistance under tension load (Pre-positioned anchorage)

Anchor rod	M6	M8	M6	M8	-	M8	M10	M8	M10	-	M12	M16	M12	M16
Internal threaded anchor FIS E	-	-			M6	M8				M10	M12			
					11x85					15x85				
Perforated sleeve FIS H K	12x50		12x85		16x85			16x130		20x85			20x130	
$N_{Rk} = N_{Rk,p} = N_{Rk,b}$ [kN] depending on the compressive strength f_b (temperature range 50/80°C)														
compressive strength f_b	use category													
4 N/mm ²	w/w	w/d	0,9			1,2			2,0					
	d/d		1,2			1,5			2,0					
6 N/mm ²	w/w	w/d	1,5			2,0			3,0					
	d/d		1,5			2,0			3,0					
8 N/mm ²	w/w	w/d	2,0			2,5			3,5					
	d/d		2,0			3,0			4,0					
10 N/mm ²	w/w	w/d	2,5			3,0			4,5					
	d/d		3,0			3,5			5,0					

Table C93.2: Characteristic resistance under tension load (Push through anchorage)

Anchor rod	M10		M12		M16	
Perforated sleeve FIS H K	18x130/200				22x130/200	
$N_{Rk} = N_{Rk,p} = N_{Rk,b}$ [kN] depending on the compressive strength f_b (temperature range 50/80°C)						
compressive strength f_b	use category					
4 N/mm ²	w/w	w/d	1,2		2,0	
	d/d		1,5		2,0	
6 N/mm ²	w/w	w/d	2,0		3,0	
	d/d		2,0		3,0	
8 N/mm ²	w/w	w/d	2,5		3,5	
	d/d		3,0		4,0	
10 N/mm ²	w/w	w/d	3,0		4,5	
	d/d		3,5		5,0	

Factor for job site tests and displacements see annex C110

Factor for temperature range 72/120°C: 0,83

fischer injection system FIS V Plus for masonry

Performance
Light-weight concrete hollow block Hbl, Characteristic resistance under tension load

Annex C 93

Light-weight concrete hollow block Hbl, EN 771-3:2015

Table C94.1: Characteristic resistance under shear load (Pre-positioned anchorage)

Anchor rod	M6	M8	M6	M8	-	M8	M10	M8	M10	-	M12	M16	M12	M16
Internal threaded anchor FIS E	-		-		M6	M8	-		-		M10	M12	-	
					11x85						15x85			
Perforated sleeve FIS H K	12x50		12x85		16x85			16x130		20x85			20x130	
$V_{Rk} = V_{Rk,b} = V_{Rk,c}$ [kN] depending on the compressive strength f_b (temperature range 50/80°C and 72/120°C)														
compressive strength f_b	use category													
	w/w	w/d												
4 N/mm ²	d/d		0,75	1,2	0,75	1,2	0,75							1,2
	w/w	w/d												
6 N/mm ²	d/d		1,2	2,0	1,2	2,0	1,2							2,0
	w/w	w/d												
8 N/mm ²	d/d		1,5	2,5	1,5	2,5	1,5							2,5
	w/w	w/d												
10 N/mm ²	d/d		2,0	3,0	2,0	3,0	2,0							3,0
	w/w	w/d												

Table C94.2: Characteristic resistance under shear load (Push through anchorage)

Anchor rod	M10	M12	M16
Perforated sleeve FIS H K	18x130/200		22x130/200
$V_{Rk} = V_{Rk,b} = V_{Rk,c}$ [kN] depending on the compressive strength f_b (temperature range 50/80°C and 72/120°C)			
compressive strength f_b	use category		
	w/w	w/d	
4 N/mm ²	d/d		1,2
	w/w	w/d	
6 N/mm ²	d/d		2,0
	w/w	w/d	
8 N/mm ²	d/d		2,5
	w/w	w/d	
10 N/mm ²	d/d		3,0
	w/w	w/d	

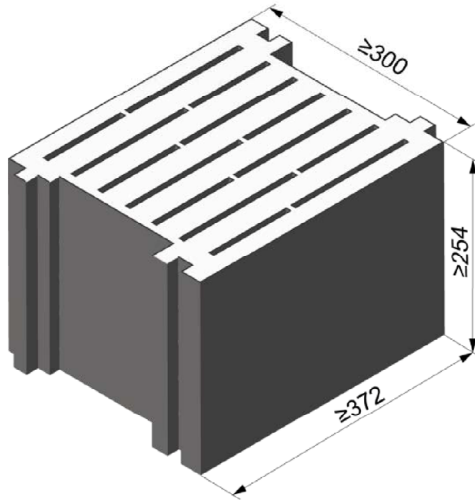
Factor for job site tests and displacements see annex C110

fischer injection system FIS V Plus for masonry

Performance
Light-weight concrete hollow block Hbl, Characteristic resistance under shear load

Annex C 94

Light-weight concrete solid block Vbl, EN 771-3:2015



Light-weight concrete solid block Vbl, EN 771-3:2015			
Producer	e.g. Sepa		
Nominal dimensions [mm]	length L	width W	height H
	≥ 372	≥ 300	≥ 254
Density ρ [kg/dm ³]	≥ 0,6		
Compressive strength f_b [N/mm ²]	2		
Standard or annex	EN 771-3:2015		

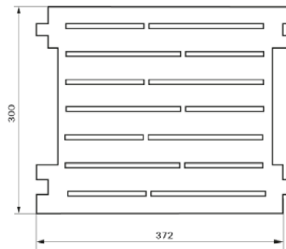


Table C95.1: Installation parameters

Anchor rod	M8	M10	M10	M12	M12	M16	M16	M12	M16
Perforated sleeve FIS H K	16x130		18x130/200		20x130		22x130/200		20x200
Anchor rod with perforated sleeve FIS H K									
Max. installation torque T_{inst} [Nm]	4								
General installation parameters									
Edge distance C_{min}	130								
Spacing S_{min}	$S_{min} \parallel = S_{cr} \parallel$ [mm]	370							
	$S_{min} \perp = S_{cr} \perp$	250							
Drilling method									
Hammer drilling with hard metal hammer drill									

Table C95.2: Group factors

Anchor rod	M8	M10	M10	M12	M12	M16	M16	M12	M16
Perforated sleeve FIS H K	16x130		18x130/200		20x130		22x130/200		20x200
Group factors	$\alpha_{g,N} \parallel$	[-]	2						
	$\alpha_{g,v} \parallel$								
	$\alpha_{g,N} \perp$								
	$\alpha_{g,v} \perp$								

fischer injection system FIS V Plus for masonry

Performance
Light-weight concrete solid block Vbl, dimensions, installation parameters

Annex C 95

Light-weight concrete solid block Vbl, EN 771-3:2015

Table C96.1: Characteristic resistance under tension load

Anchor rod	M8	M10	M10	M12	M12	M16	M16	M12	M16
Perforated sleeve FIS H K	16x130		18x130/200		20x130		22x130/200		20x200
$N_{Rk} = N_{Rk,p} = N_{Rk,b}$ [kN] depending on the compressive strength f_b (temperature range 50/80°C)									
compressive strength f_b	use category								
2 N/mm ²	w/w	w/d	2,0			2,5			3,0
	d/d		2,0			3,0			4,0

Factor for temperature range 72/120°C: 0,83

Table C96.2: Characteristic resistance under shear load

Anchor rod	M8	M10	M10	M12	M12	M16	M16	M12	M16
Perforated sleeve FIS H K	16x130		18x130/200		20x130		22x130/200		20x200
$V_{Rk} = V_{Rk,b} = V_{Rk,c}$ [kN] depending on the compressive strength f_b (temperature range 50/80°C and 72/120°C)									
compressive strength f_b	use category								
2 N/mm ²	w/w	w/d	4,5			6,5			
	d/d								

Factor for job site tests and displacements see annex C110

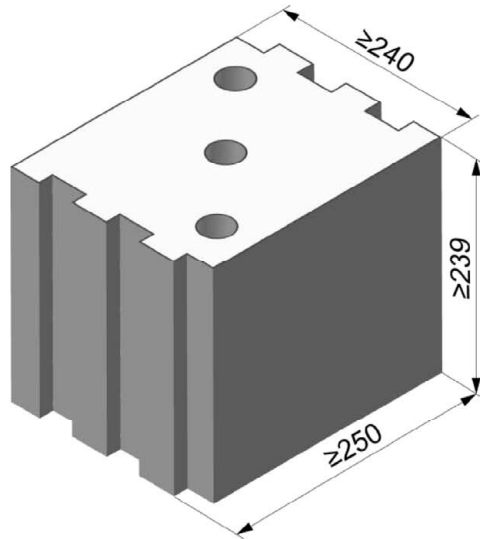
fischer injection system FIS V Plus for masonry

Performance

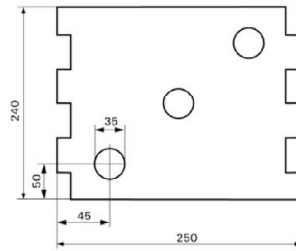
Light-weight concrete solid block Vbl,
Characteristic resistance under tension and shear load

Annex C 96

Light-weight concrete solid block Vbl, EN 771-3:2015



Light-weight concrete solid block Vbl, EN 771-3:2015			
Producer	KLB		
Nominal dimensions [mm]	length L	width W	height H
	≥ 250	≥ 240	≥ 239
Density ρ [kg/dm ³]	≥ 1,6		
Compressive strength f_b [N/mm ²]	4 / 6 / 8		
Standard or annex	EN 771-3:2015		



Dimension see also Annex B 19

Table C97.1: Installation parameters
(Pre-positioned anchorage with perforated sleeve FIS H K)

Anchor rod	M6	M8	M6	M8	-	M8	M10	M8	M10	-	M12	M16	M12	M16	M12	M16
Internal threaded anchor FIS E	-	-	-	-	M6	M8	-	-	-	M10	M12	-	-	-	-	-
					11x85					15x85						
Perforated sleeve FIS H K	12x50		12x85		16x85			16x130		20x85			20x130		20x200	
Anchor rod and internal threaded anchor FIS E with perforated sleeve FIS H K																
Max. installation torque	T_{inst}	[Nm]	4													
General installation parameters																
Edge distance	C_{min}	[mm]	130													
Spacing	$S_{min \parallel} = S_{cr \parallel}$	[mm]	250													
	$S_{min \perp} = S_{cr \perp}$	[mm]	250													
Drilling method																
Hammer drilling with hard metal hammer drill																

Table C97.2: Group factors

Anchor rod	M6	M8	M6	M8	-	M8	M10	M8	M10	-	M12	M16	M12	M16	M12	M16
Internal threaded anchor FIS E	-	-	-	-	M6	M8	-	-	-	M10	M12	-	-	-	-	-
					11x85					15x85						
Perforated sleeve FIS H K	12x50		12x85		16x85			16x130		20x85			20x130		20x200	
Group factors	$\alpha_{g,N \parallel}$	[-]	2,0													
	$\alpha_{g,v \parallel}$															
	$\alpha_{g,N \perp}$															
	$\alpha_{g,v \perp}$															

fischer injection system FIS V Plus for masonry

Performance
Light-weight concrete solid block Vbl, dimensions, installation parameters

Annex C 97

Light-weight concrete solid block Vbl, EN 771-3:2015			
Table C98.1: Installation parameters (Push through anchorage with perforated sleeve FIS H K)			
Anchor rod	M10	M12	M16
Perforated sleeve FIS H K	18x130/200		22x130/200
Anchor rod with perforated sleeve FIS H K			
Max. installation torque	T_{inst} [Nm]	2	
General installation parameters			
Edge distance	C_{min}	130	
Spacing	$S_{min \parallel} = S_{cr \parallel}$	250	
	$S_{min \perp} = S_{cr \perp}$	250	
Drilling method			
Hammer drilling with hard metal hammer drill			
Table C98.2: Group factors			
Anchor rod	M10	M12	M16
Perforated sleeve FIS H K	18x130/200		22x130/200
Group factors	$\alpha_{g,N \parallel}$	[-]	2,0
	$\alpha_{g,V \parallel}$		
	$\alpha_{g,N \perp}$		
	$\alpha_{g,V \perp}$		
fischer injection system FIS V Plus for masonry			Annex C 98
Performance Light-weight concrete solid block Vbl, dimensions, installation parameters			

Light-weight concrete solid block Vbl, EN 771-3:2015

Table C99.1: Characteristic resistance under tension load (Pre-positioned anchorage)

Anchor rod	M6	M8	M6	M8	-	M8	M10	M8	M10	-	M12	M16	M12	M16	M12	M16
Internal threaded anchor FIS E	-	-	M6 M8		11x85		-	-	M10 M12		15x85		-	-	-	-
Perforated sleeve FIS H K	12x50		12x85		16x85			16x130		20x85			20x130		20x200	
$N_{Rk} = N_{Rk,p} = N_{Rk,b}$ [kN] depending on the compressive strength f_b (temperature range 50/80°C)																
compressive strength f_b	use category															
4 N/mm ²	w/w	w/d	1,2	2,0	2,5			3,0								
	d/d		2,0	3,5	4,0			5,0								
6 N/mm ²	w/w	w/d	1,5	3,0	4,0			5,0								
	d/d		3,0	5,0	6,5			7,5								
8 N/mm ²	w/w	w/d	2,0	4,0	5,0			6,5								
	d/d		4,0	7,0	8,5			9,0								

Table C99.2: Characteristic resistance under tension load (Push through anchorage)

Anchor rod	M10		M12		M16	
Perforated sleeve FIS H K	18x130/200				22x130/200	
$N_{Rk} = N_{Rk,p} = N_{Rk,b}$ [kN] depending on the compressive strength f_b (temperature range 50/80°C)						
compressive strength f_b	use category					
4 N/mm ²	w/w	w/d	2,5		3,0	
	d/d		4,0		5,0	
6 N/mm ²	w/w	w/d	4,0		5,0	
	d/d		6,5		7,5	
8 N/mm ²	w/w	w/d	5,0		6,5	
	d/d		8,5		9,0	

Factor for job site tests and displacements see annex C110

Factor for temperature range 72/120°C: 0,83

fischer injection system FIS V Plus for masonry

Performance

Light-weight concrete solid block Vbl, Characteristic resistance under tension load

Annex C 99

Light-weight concrete solid block Vbl, EN 771-3:2015

Table C100.1: Characteristic resistance under shear load (Pre-positioned anchorage)

Anchor rod	M6	M8	M6	M8	-	M8	M10	M8	M10	-	M12	M16	M12	M16	M12	M16
Internal threaded anchor FIS E	-		-		M6	M8	-		-		M10	M12	-		-	
					11x85						15x85					
Perforated sleeve FIS H K	12x50		12x85		16x85			16x130		20x85			20x130		20x200	

$V_{Rk} = V_{Rk,b} = V_{Rk,c}$ [kN] depending on the compressive strength f_b (temperature range 50/80°C and 72/120°C)

compressive strength f_b	use category																
	4 N/mm ²	w/w	w/d	2,0	3,0	2,0	3,0	2,0	3,5					4,5			
d/d																	
6 N/mm ²	w/w	w/d	3,0	4,5	3,0	4,5	3,0	5,5					6,5				
	d/d																
8 N/mm ²	w/w	w/d	4,0	6,0	4,0	6,0	4,0	7,0					8,5				
	d/d																

Table C100.2: Characteristic resistance under shear load (Push through anchorage)

Anchor rod	M10	M12	M16
Perforated sleeve FIS H K	18x130/200		22x130/200

$V_{Rk} = V_{Rk,b} = V_{Rk,c}$ [kN] depending on the compressive strength f_b (temperature range 50/80°C and 72/120°C)

compressive strength f_b	use category											
	4 N/mm ²	w/w	w/d	3,5					4,5			
d/d												
6 N/mm ²	w/w	w/d	5,5					6,5				
	d/d											
8 N/mm ²	w/w	w/d	7,0					8,5				
	d/d											

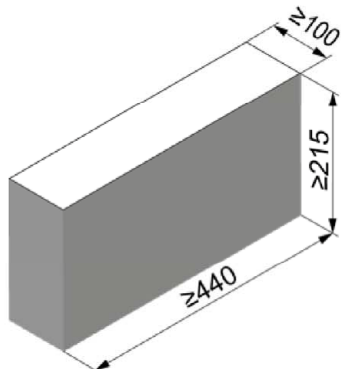
Factor for job site tests and displacements see annex C110

fischer injection system FIS V Plus for masonry

Performance
Light-weight concrete solid block Vbl, Characteristic resistance under shear load

Annex C 100

Light-weight concrete solid block Vbl, EN 771-3:2015



Light-weight concrete solid block Vbl, EN 771-3:2015			
Producer	Roadstone wood		
Nominal dimensions [mm]	length L	width W	height H
	≥ 440	≥ 100	≥ 215
Density ρ [kg/dm ³]	≥ 2,0		
Compressive strength f_b [N/mm ²]	4 / 6 / 8 / 10		
Standard or annex	EN 771-3:2015		

Table C101.1: Installation parameters

Anchor rod		M6	M8	M10	M12	M16
Anchor rod without perforated sleeve						
Effective anchorage depth h_{ef} [mm]		50	70	50	70	50
Max. installation torque T_{inst} [Nm]		4			10	
General installation parameters						
Edge distance c_{min}		100				
Spacing	$s_{min \parallel}$	75				
	$s_{cr \parallel}$	$3x h_{ef}$				
	$s_{min \perp}$	75				
	$s_{cr \perp}$	$3x h_{ef}$				
Drilling method						
Hammer drilling with hard metal hammer drill						

Table C101.2: Group factors

Anchor rod		M6	M8	M10	M12	M16
Group factors	$\alpha_{g,N \parallel}$	1,6				
	$\alpha_{g,V \parallel}$	1,3				
	$\alpha_{g,N \perp}$	1,4				
	$\alpha_{g,V \perp}$	1,3				

fischer injection system FIS V Plus for masonry

Performance

Light-weight concrete solid block Vbl, dimensions, installation parameters

Annex C 101

Light-weight concrete solid block Vbl, EN 771-3:2015

Table C102.1: Characteristic resistance under tension load

Anchor rod		M6	M8	M10	M12	M16
$N_{Rk} = N_{Rk,p} = N_{Rk,b}$ [kN] depending on the compressive strength f_b (temperature range 50/80°C)						
compressive strength f_b	use category	Effective anchorage depth h_{ef} [mm]				
		≥ 50				
4 N/mm ²	w/w w/d	1,2			1,2	
	d/d	2,0			2,0	
6 N/mm ²	w/w w/d	1,5			2,0	
	d/d	3,0			3,5	
8 N/mm ²	w/w w/d	2,0			2,5	
	d/d	4,0			4,5	
10N/mm ²	w/w w/d	3,0			3,5	
	d/d	5,0			5,5	

Factor for temperature range 72/120°C: 0,83

Table C102.2: Characteristic resistance under shear load

Anchor rod		M6	M8	M10	M12	M16
$V_{Rk} = V_{Rk,b} = V_{Rk,c}$ [kN] depending on the compressive strength f_b (temperature range 50/80°C and 72/120°C)						
compressive strength f_b	use category	Effective anchorage depth h_{ef} [mm]				
		≥ 50				
4 N/mm ²	w/w w/d	1,2	1,5	1,5	1,5	1,5
	d/d					
6 N/mm ²	w/w w/d	2,0	2,0	2,5	2,5	2,5
	d/d					
8 N/mm ²	w/w w/d	2,5	2,5	3,0	3,0	3,5
	d/d					
10N/mm ²	w/w w/d	3,0	3,5	4,0	4,0	4,5
	d/d					

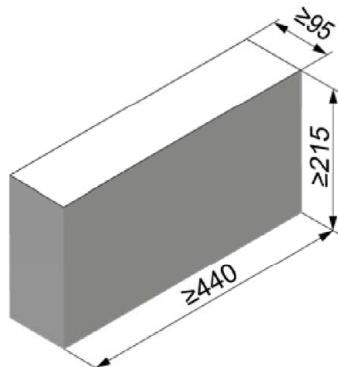
Factor for job site tests and displacements see annex C110

fischer injection system FIS V Plus for masonry

Performance
Light-weight concrete solid block Vbl,
Characteristic resistance under tension and shear load

Annex C 102

Light-weight concrete solid block Vbl, EN 771-3:2015



Light-weight concrete solid block Vbl, EN 771-3:2015			
Producer	Tramac		
Nominal dimensions [mm]	length L	width W	height H
	≥ 440	≥ 95	≥ 215
Density ρ [kg/dm ³]	≥ 2,0		
Compressive strength f_b [N/mm ²]	6 / 8 / 10 / 12		
Standard or annex	EN 771-3:2015		

Table C103.1: Installation parameters

Anchor rod	M6	M8	M10	M12	M16	
Anchor rod without perforated sleeve						
Effective anchorage depth h_{ef} [mm]	50	70	50	70	50	70
Max. installation torque T_{inst} [Nm]	4		10			
General installation parameters						
Edge distance c_{min}	60					
$s_{min \parallel}$	75					
Spacing	$s_{cr \parallel}$ [mm]	3x h_{ef}				
	$s_{min \perp}$	75				
	$s_{cr \perp}$	3x h_{ef}				
Drilling method						
Hammer drilling with hard metal hammer drill						

Table C103.2: Group factors

Anchor rod	M6	M8	M10	M12	M16
Group factors	$\alpha_{g,N \parallel}$	1,9			
	$\alpha_{g,V \parallel}$	1,4			
	$\alpha_{g,N \perp}$	1,9			
	$\alpha_{g,V \perp}$	1,4			

fischer injection system FIS V Plus for masonry

Performance

Light-weight concrete solid block Vbl, dimensions, installation parameters

Annex C 103

Light-weight concrete solid block Vbl, EN 771-3:2015

Table C104.1: Characteristic resistance under tension load

Anchor rod		M6	M8	M10	M12	M16					
$N_{Rk} = N_{Rk,p} = N_{Rk,b}$ [kN] depending on the compressive strength f_b (temperature range 50/80°C)											
compressive strength f_b	use category	Effective anchorage depth h_{ef} [mm]									
		50	70	50	70	50	70	50	70	50	70
6 N/mm ²	w/w w/d	1,5	2,0	1,5	2,0	1,5	2,0	1,5	2,0	1,5	2,0
	d/d	2,5	3,5	2,5	3,5	2,5	3,5	2,5	3,5	2,5	3,5
8 N/mm ²	w/w w/d	2,0	2,5	2,0	2,5	2,0	3,0	2,0	3,0	2,0	3,0
	d/d	3,5	4,5	3,5	4,5	3,5	5,0	3,5	5,0	3,5	5,0
10N/mm ²	w/w w/d	2,5	3,5	2,5	3,5	2,5	3,5	2,5	3,5	2,5	3,5
	d/d	4,5	6,0	4,5	6,0	4,5	6,0	4,5	6,0	4,5	6,0
12N/mm ²	w/w w/d	3,0	4,0	3,0	4,0	3,0	4,5	3,0	4,5	3,0	4,5
	d/d	5,0	7,0	5,0	7,0	5,0	7,5	5,0	7,5	5,0	7,5

Factor for temperature range 72/120°C: 0,83

Table C104.2: Characteristic resistance under shear load

Anchor rod		M6	M8	M10	M12	M16
$V_{Rk} = V_{Rk,b} = V_{Rk,c}$ [kN] depending on the compressive strength f_b (temperature range 50/80°C and 72/120°C)						
compressive strength f_b	use category	Effective anchorage depth h_{ef} [mm]				
		≥ 50				
6 N/mm ²	w/w w/d	2,0	2,0	2,0	1,5	1,5
	d/d					
8 N/mm ²	w/w w/d	2,5	2,5	3,0	2,5	2,5
	d/d					
10N/mm ²	w/w w/d	3,5	3,5	4,0	3,0	3,0
	d/d					
12N/mm ²	w/w w/d	4,0	4,0	4,5	3,5	3,5
	d/d					

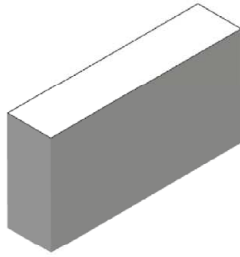
Factor for job site tests and displacements see annex C110

fischer injection system FIS V Plus for masonry

Performance
Light-weight concrete solid block Vbl,
Characteristic resistance under tension and shear load

Annex C 104

Autoclaved aerated concrete (cylindrical drill hole), EN 771-4:2015



Autoclaved aerated concrete, EN 771-4:2015			
Producer	e.g. Ytong		
Density ρ [kg/dm ³]	0,35	0,5	0,65
Compressive strength f_b [N/mm ²]	2	4	6
Standard or annex	EN 771-4:2015		

Table C105.1: Installation parameters

Anchor rod	M6	M8	M10	M12	M16	-	-
Internal threaded anchor FIS E	-	-	-	-	-	M6	M8
	11x85		15x85				
Anchor rod and internal threaded anchor FIS E without perforated sleeve							
Effective anchorage depth h_{ef} [mm]	100	200	100	200	100	200	85
Max. installation torque T_{inst} [Nm]	1	4	1	8	2	12	2
General installation parameters							
Edge distance c_{min}	100						
Spacing	$s_{cr \parallel} = s_{min \parallel}$	250					
	$h_{ef}=200mm$ $s_{min \parallel}$ [mm]	80					
	$h_{ef}=200mm$ $s_{cr \parallel}$	3x h_{ef}					
	$s_{cr \perp} = s_{min \perp}$	250					
	$h_{ef}=200mm$ $s_{min \perp}$	80					
	$h_{ef}=200mm$ $s_{cr \perp}$	3x h_{ef}					
Drilling method							
Hammer drilling with hard metal hammer drill							
fischer injection system FIS V Plus for masonry						Annex C 105	
Performance Autoclaved aerated concrete (cylindrical drill hole), dimensions, installation parameters							

Table C106.1: Group factors for autoclaved aerated concrete
(Compressive strength $f_b = 2 \text{ N/mm}^2$)

Anchor rod	M6	M8	M10	M12	M16	-		-	
Internal threaded anchor FIS E	-	-	-	-	-	M6	M8	M10	M12
						11x85		15x85	
Group factors	[-]	$h_{ef}=200 \alpha_{g,N} \parallel$	1,6			- ¹⁾		- ¹⁾	
		$h_{ef}=200 \alpha_{g,V} \parallel$	1,1			- ¹⁾		- ¹⁾	
		$\alpha_{g,N} \parallel, \alpha_{g,V} \parallel$	2						
		$h_{ef}=200 \alpha_{g,N} \perp$	1,6			- ¹⁾		- ¹⁾	
		$h_{ef}=200 \alpha_{g,V} \perp$	0,8			- ¹⁾		- ¹⁾	
		$\alpha_{g,N} \perp, \alpha_{g,V} \perp$	2						

¹⁾ No performance assessed

Table C106.2: Group factors for autoclaved aerated concrete
(Compressive strength $f_b = 4 \text{ N/mm}^2$)

Anchor rod	M6	M8	M10	M12	M16	-		-	
Internal threaded anchor FIS E	-	-	-	-	-	M6	M8	M10	M12
						11x85		15x85	
Group factors	[-]	$h_{ef}=200 \alpha_{g,N} \parallel$	0,7			- ¹⁾		- ¹⁾	
		$h_{ef}=200 \alpha_{g,V} \parallel$	2,0			- ¹⁾		- ¹⁾	
		$\alpha_{g,N} \parallel, \alpha_{g,V} \parallel$	2						
		$h_{ef}=200 \alpha_{g,N} \perp$	0,7			- ¹⁾		- ¹⁾	
		$h_{ef}=200 \alpha_{g,V} \perp$	1,2			- ¹⁾		- ¹⁾	
		$\alpha_{g,N} \perp, \alpha_{g,V} \perp$	2						

¹⁾ No performance assessed

Table C106.3: Group factors for autoclaved aerated concrete
(Compressive strength $f_b = 6 \text{ N/mm}^2$)

Anchor rod	M6	M8	M10	M12	M16	-		-	
Internal threaded anchor FIS E	-	-	-	-	-	M6	M8	M10	M12
						11x85		15x85	
Group factors	[-]	$h_{ef}=200 \alpha_{g,N} \parallel$	0,7			- ¹⁾		- ¹⁾	
		$h_{ef}=200 \alpha_{g,V} \parallel$	2,0			- ¹⁾		- ¹⁾	
		$\alpha_{g,N} \parallel, \alpha_{g,V} \parallel$	2						
		$h_{ef}=200 \alpha_{g,N} \perp$	0,7			- ¹⁾		- ¹⁾	
		$h_{ef}=200 \alpha_{g,V} \perp$	1,2			- ¹⁾		- ¹⁾	
		$\alpha_{g,N} \perp, \alpha_{g,V} \perp$	2						

¹⁾ No performance assessed

fischer injection system FIS V Plus for masonry

Performance
Autoclaved aerated concrete (cylindrical drill hole), Group factors

Annex C 106

Autoclaved aerated concrete (cylindrical drill hole), EN 771-4:2015

Table C107.1: Characteristic resistance under tension load

Anchor rod		M6		M8		M10		M12		M16		-		-		
Internal threaded anchor FIS E		-		-		-		-		-		M6	M8	M10	M12	
												11x85		15x85		
$N_{Rk} = N_{Rk,p} = N_{Rk,b}$ [kN] depending on the compressive strength f_b (temperature range 50/80°C)																
compressive strength f_b	use category		Effective anchorage depth h_{ef} [mm]													
			100	200	100	200	100	200	100	200	100	200	85			
2 N/mm ²	w/w	w/d	1,2	1,2	1,5	2,0	1,5	3,0	1,5	3,0	2,0	3,0	1,5	1,5		
	d/d		1,5	3,0	1,5	3,0	1,5	3,5	2,0	4,0	2,0	4,0	1,5	1,5		
4 N/mm ²	w/w	w/d	1,2	- ¹⁾	2,0	1,5	2,5	3,5	2,5	3,5	2,0	3,5	2,0	1,5		
	d/d		1,5	- ¹⁾	2,0	3,0	3,0	5,0	2,5	5,0	2,0	5,0	2,0	1,5		
6 N/mm ²	w/w	w/d	1,5	- ¹⁾	3,0	2,5	4,5	5,0	4,5	7,0	3,0	8,5	3,5	2,5		
	d/d		1,5	- ¹⁾	3,5	4,0	5,0	7,0	5,0	9,0	3,0	11,5	3,5	2,5		

¹⁾ No performance assessed

Factor for temperature range 72/120°C: 0,83

Table C107.2: Characteristic resistance under shear load

Anchor rod		M6		M8		M10		M12		M16		-		-	
Internal threaded anchor FIS E		-		-		-		-		-		M6	M8	M10	M12
												11x85		15x85	
$V_{Rk} = V_{Rk,b} = V_{Rk,c}$ [kN] depending on the compressive strength f_b (temperature range 50/80°C and 72/120°C)															
compressive strength f_b	use category		Effective anchorage depth h_{ef} [mm]												
			100	200	100	200	100	200	100	200	100	200	85		
2 N/mm ²	w/w	w/d	1,2	1,2	1,2	1,2	1,2	1,2	1,5	1,2	1,2	1,2	1,2	1,2	1,5
	d/d														
4 N/mm ²	w/w	w/d	2,0	- ¹⁾	2,5	2,0	2,0	2,0	2,5	2,0	2,0	2,0	2,0	2,0	2,5
	d/d														
6 N/mm ²	w/w	w/d	2,5	- ¹⁾	3,0	2,5	3,0	3,0	3,5	4,0	4,5	4,5	2,5	3,5	
	d/d														

¹⁾ No performance assessed

Factor for job site tests and displacements see annex C110

fischer injection system FIS V Plus for masonry

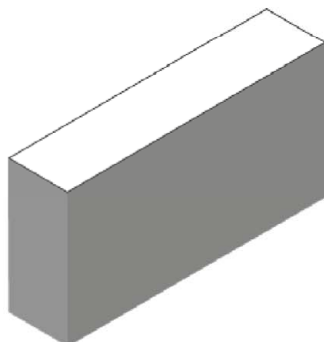
Performance

Autoclaved aerated concrete (cylindrical drill hole),
Characteristic resistance under tension and shear load

Annex C 107

Autoclaved aerated concrete (conical drill hole with special drill bit PBB),

EN 771-4:2015



Autoclaved aerated concrete, EN 771-4:2015			
Producer	e.g. Ytong		
Density ρ [kg/dm ³]	0,35	0,5	0,65
Compressive strength f_b [N/mm ²]	2	4	6
Standard or annex	EN 771-4:2015		

Table C108.1: Installation parameters

Anchor rod	M8		M10		M12		-		
Internal threaded anchor FIS E	-	-	-	-	-	-	M6	M8	
Anchor rod and internal threaded anchor FIS E without perforated sleeve									
Effective anchorage depth h_{ef} [mm]	75	95	75	95	75	95	85		
Max. installation torque T_{inst} [Nm]	2								
General installation parameters									
Edge distance c_{min}	120	150	120	150	120	150	150		
Spacing	$s_{cr \parallel} = s_{min \parallel}$	240	300	240	300	240	300	300	
	$s_{cr \perp} = s_{min \perp}$	240	250	240	250	240	250	250	
Drilling method									
Hammer drilling with hard metal hammer drill									

Table C108.2: Group factors

Anchor rod	M8		M10		M12		-			
Internal threaded anchor FIS E	-	-	-	-	-	-	M6	M8		
11x85										
Group factors	$\alpha_{g,N \parallel}$	[-]	2							
	$\alpha_{g,V \parallel}$									
	$\alpha_{g,N \perp}$									
	$\alpha_{g,V \perp}$									

fischer injection system FIS V Plus for masonry

Performance

Autoclaved aerated concrete (conical drill hole with special drill bit PBB),
dimensions, installation parameters

Annex C 108

Autoclaved aerated concrete (conical drill hole with special drill bit PBB),

EN 771-4:2015

Table C109.1: Characteristic resistance under tension load

Anchor rod		M8		M10		M12		-	
Internal threaded anchor FIS E		-	-	-	-	-	-	M6	M8
11x85									
$N_{Rk} = N_{Rk,p} = N_{Rk,b}$ [kN] depending on the compressive strength f_b (temperature range 50/80°C)									
compressive strength f_b	use category	Effective anchorage depth h_{ef} [mm]							
		75	95	75	95	75	95	85	
2 N/mm ²	w/w w/d	2,0	2,5	2,0	2,5	2,0	2,5	2,0	2,0
	d/d	2,0	2,5	2,0	2,5	2,0	2,5	2,0	2,0
4 N/mm ²	w/w w/d	3,0	3,5	3,0	3,5	3,0	3,5	3,0	3,0
	d/d	3,0	3,5	3,0	3,5	3,0	3,5	3,0	3,0
6 N/mm ²	w/w w/d	3,5	4,0	3,5	4,0	3,5	4,0	3,5	3,5
	d/d	4,0	4,5	4,0	4,5	4,0	4,5	4,0	4,0

Factor for temperature range 72/120°C: 0,83

Table C109.2: Characteristic resistance under shear load

Anchor rod		M8		M10		M12		-	
Internal threaded anchor FIS E		-	-	-	-	-	-	M6	M8
11x85									
$V_{Rk} = V_{Rk,b} = V_{Rk,c}$ [kN] depending on the compressive strength f_b (temperature range 50/80°C and 72/120°C)									
compressive strength f_b	use category	Effective anchorage depth h_{ef} [mm]							
		75	95	75	95	75	95	85	
2 N/mm ²	w/w w/d	2,5							
	d/d								
4 N/mm ²	w/w w/d	4,5							
	d/d								
6 N/mm ²	w/w w/d	6,0							
	d/d								

Factor for job site tests and displacements see annex C110

fischer injection system FIS V Plus for masonry

Performance

Autoclaved aerated concrete (conical drill hole with special drill bit PBB),
Characteristic resistance under tension and shear load

Annex C 109

β-factors for job site tests; displacements					
Table C110.1: β-factors for job site tests					
use category		w/w and w/d		d/d	
temperature range		50/80	72/120	50/80	72/120
Material	Size				
solid units	M6	0,55	0,46	0,96	0,80
	M8	0,57	0,51		
	M10	0,59	0,52		
	M12 FIS E 11x85	0,6	0,54		
	M16 FIS E 15x85	0,62	0,52		
	FIS H 16x85 K	0,55	0,46		
hollow units	all sizes	0,86	0,72	0,96	0,8
Autoclaved aerated concrete cylindrical drill hole	all sizes	0,73	0,73	0,81	0,81
Autoclaved aerated concrete conical drill hole	all sizes	0,66	0,59	0,73	0,66

Table C110.2: Displacements						
Material	N [kN]	δN ₀ [mm]	δN _∞ [mm]	V [kN]	δV ₀ [mm]	δV _∞ [mm]
solid units and autoclaved aerated concrete h _{ef} =100mm	$\frac{N_{Rk}}{1,4 * \gamma_{Mm}}$	0,03	0,06	$\frac{V_{Rk}}{1,4 * \gamma_{Mm}}$	0,82	0,88
hollow units	$\frac{N_{Rk}}{1,4 * \gamma_{Mm}}$	0,48	0,06	$\frac{V_{Rk}}{1,4 * \gamma_{Mm}}$	1,71	2,56
solid brick Mz NF annex C 4 - C 7	$\frac{N_{Rk}}{1,4 * \gamma_{Mm}}$	0,74	1,48	$\frac{V_{Rk}}{1,4 * \gamma_{Mm}}$	1,23	1,85
solid brick KS NF annex C 14 / C 15	$\frac{N_{Rk}}{1,4 * \gamma_{Mm}}$	0,2	0,4	$\frac{V_{Rk}}{1,4 * \gamma_{Mm}}$	0,91	1,37
AAC h _{ef} =200 mm annex C 105 - C 107	$\frac{N_{Rk}}{1,4 * \gamma_{Mm}}$	1,03	2,06	$\frac{V_{Rk}}{1,4 * \gamma_{Mm}}$	1,25	1,88
brick Annex C 89 / C 90	$\frac{N_{Rk}}{1,4 * \gamma_{Mm}}$	0,03	0,06	$\frac{V_{Rk}}{1,4 * \gamma_{Mm}}$	6,44	9,66

For anchorage in autoclaved aerated concrete, the partial factor γ_{MAAC} shall be used instead of γ_{Mm} .

fischer injection system FIS V Plus for masonry	Annex C 110
Performance β-factors for job site tests; displacements	